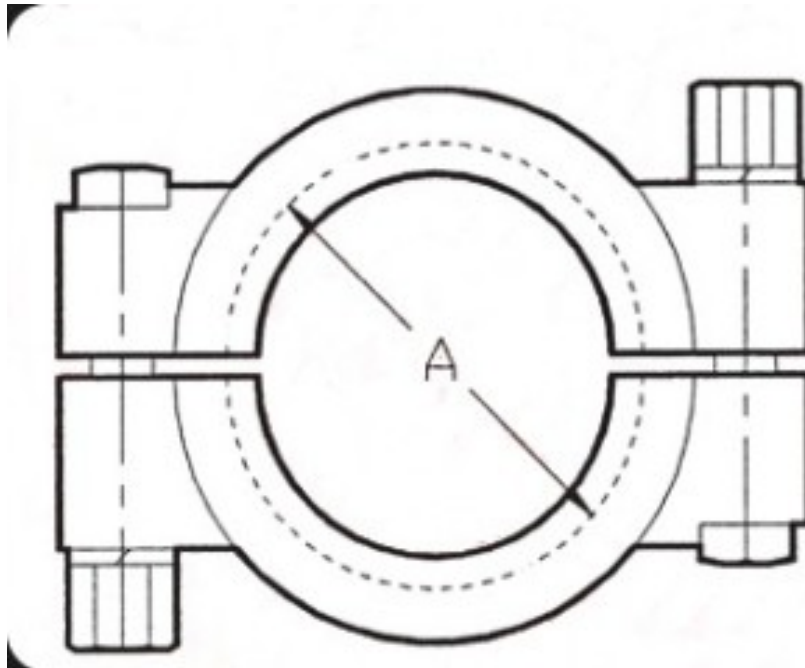


CLAMPS

A13MHP HIGH PRESSURE CLAMP

SIZE TUBE O.D.	A	Pressure Rating Psi 70F	Pressure Rating Psi 250F	SF3/PT/32 ra ID
1 1/2	2.046	1500	1200	A13MHP-1.5-PX-304
2	2.578	1000	800	A13MHP-2-PX-304
2 1/2	3.110	1000	800	A13MHP-2.5-PX-304
3	3.640	1000	800	A13MHP-3-PX-304
4	4.744	1000	800	A13MHP-4-PX-304



**** ADDITIONAL SIZES AND FINISHES AVAILABLE IN THE BPE/BIOPHARM FITTINGS SECTION