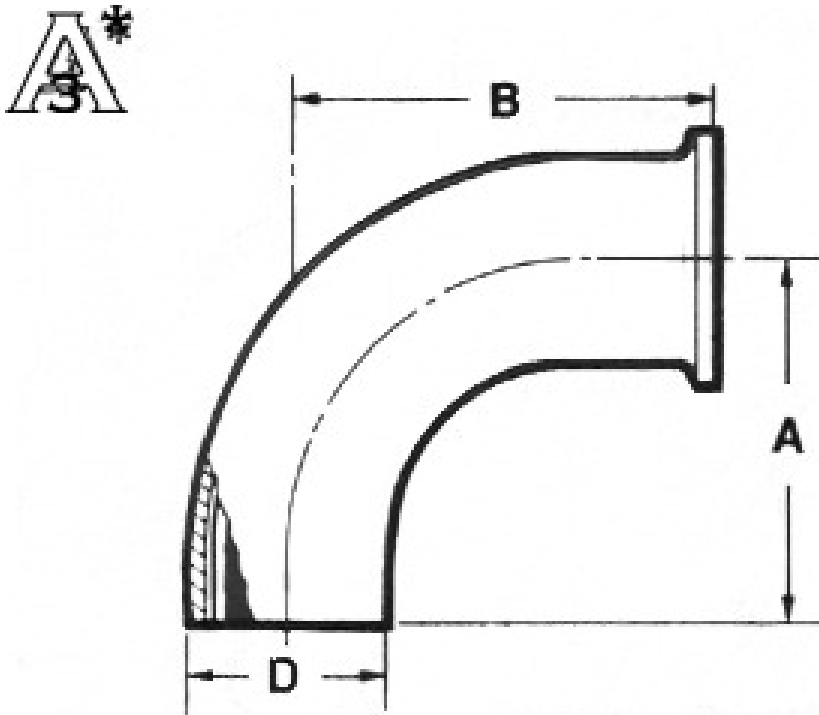


# ELBOWS

## A2CM 90° ELL

SIZE TUBE O.D.	A	B	D	NOM. WALL	SF3/PT/32 ra ID
1 1/2	2 15/16	3 7/16	1 1/2	0.065	A2CM-1.5-PT-316L
2	4 1/16	4 9/16	2	0.065	A2CM-2-PT-316L
2 1/2	5 3/16	5 11/16	2 1/2	0.065	A2CM-2.5-PT-316L
3	6 5/16	6 13/16	3	0.065	A2CM-3-PT-316L
4	8 5/16	8 15/16	4	0.083	A2CM-4-PT-316L



\*\*\*\* ADDITIONAL SIZES AND FINISHES AVAILABLE IN THE BPE/BIOPHARM FITTINGS SECTION