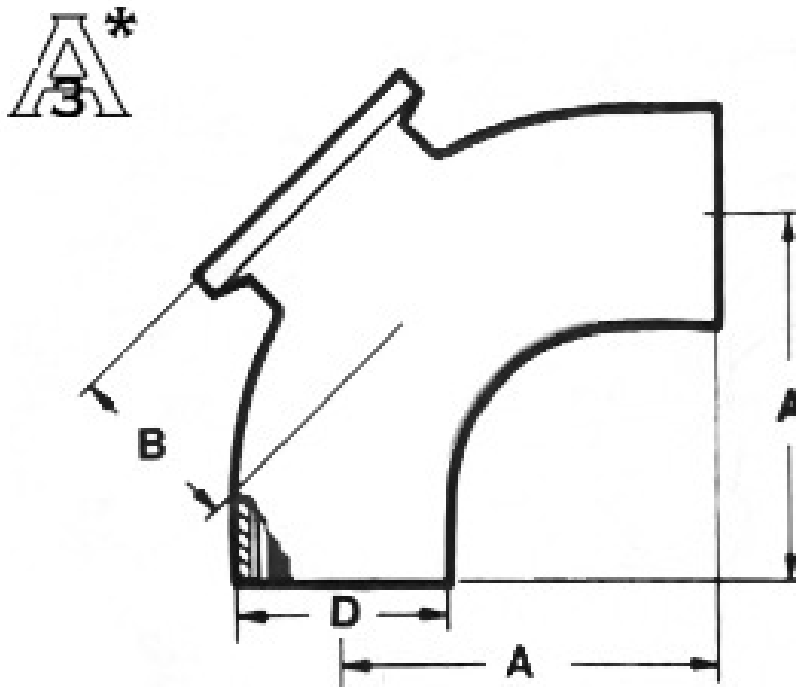


ELBOWS

A2CP7 90° INSPECTION ELL

SIZE TUBE O.D.	A	B	D	NOM. WALL	SF3/PT/32 ra ID
1 1/2	2 15/16	1 3/8	1 1/2	0.065	A2CP7-1.5-PT-316L
2	4 1/16	1 5/8	2	0.065	A2CP7-2-PT-316L
2 1/2	5 3/16	1 7/8	2 1/2	0.065	A2CP7-2.5-PT-316L
3	6 5/16	2 1/8	3	0.065	A2CP7-3-PT-316L
4	8 5/16	2 3/4	4	0.083	A2CP7-4-PT-316L



**** ADDITIONAL SIZES AND FINISHES AVAILABLE IN THE BPE/BIOPHARM FITTINGS SECTION