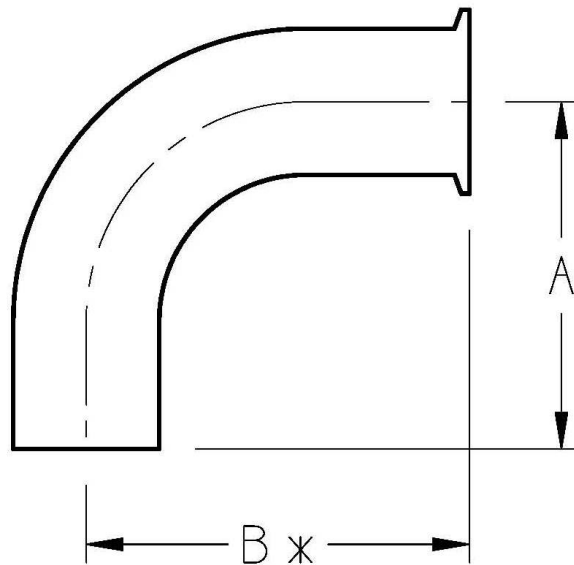


# ELBOWS

## TA2CM - AUTOMATIC TUBE WELD X LONG HYGIENIC CLAMP JOINT 90 DEG ELBOW

SIZE	A	B	SF1/PL/20 ra ID	SF4/PM/15 ra EP
1/4	2.625	3.125	TA2CM-.25-PL-316L	TA2CM-.25-PM-316L
3/8	2.625	3.125	TA2CM-.375-PL-316L	TA2CM-.375-PM-316L
1/2	3.000	3.500	TA2CM-.5-PL-316L	TA2CM-.5-PM-316L
3/4	3.000	3.500	TA2CM-.75-PL-316L	TA2CM-.75-PM-316L
1	3.000	3.500	TA2CM-1-PL-316L	TA2CM-1-PM-316L
1.5	3.750	4.250	TA2CM-1.5-PL-316L	TA2CM-1.5-PM-316L
2	4.750	5.250	TA2CM-2-PL-316L	TA2CM-2-PM-316L
2.5	5.500	6.000	TA2CM-2.5-PL-316L	TA2CM-2.5-PM-316L
3	6.250	6.750	TA2CM-3-PL-316L	TA2CM-3-PM-316L
4	8.000	8.625	TA2CM-4-PL-316L	TA2CM-4-PM-316L
6	11.500	12.250	TA2CM-6-PL-316L	TA2CM-6-PM-316L



\*Clamp end (B) Not to BPE Dimensions