

PRODUCT CATALOG



ADVANCE FITTINGS

From Start to Finish, We Make Fittings!
www.advancefittings.com | 262-723-6699

Contents

ABOUT ADVANCE FITTINGS	3
OUR PRODUCTS & SERVICES	4
OUR MISSION	4
INDUSTRIES SERVED	5
SURFACE FINISH INFORMATION	6
PART NUMBER BREAK DOWN	6
ASME BPE SPECIFICATIONS	7
TUBE SPECIFICATION	8
BPE/BIOPHARM FITTINGS	9
CLAMP FITTINGS	74
BUTT WELD FITTINGS & TUBE OD FITTINGS	90
CUSTOM PRODUCTS	102
TERMS & CONDITIONS	103

About Advance Fittings

A USA manufacturing company providing stainless steel fittings and components for the process industries: Food & Dairy, Personal Care, Pharmaceutical, Biotech and Semiconductor.

YOUR SOURCE FOR DOMESTIC BPE FITTINGS AND CUSTOM FABRICATED COMPONENTS

Advance Fittings evolved from the food and dairy fitting industry with the concept to focus primarily on pharmaceutical butt weld fittings and custom fabrications used in the BioPharmaceutical Industry (BPI). Over the years, we have devoted our energies to gaining knowledge and improving processes in order to compete in the Bio Pharm fittings industry.

Decades later, we have become a supplier of stainless components to some of the largest manufacturers, distributors, and end users in the world. We continue to grow and improve by employing 21st century manufacturing procedures. We have achieved notoriety and status within the pharmaceutical industry for fabricating quality domestic end products, like stainless steel tube weld fittings and more.

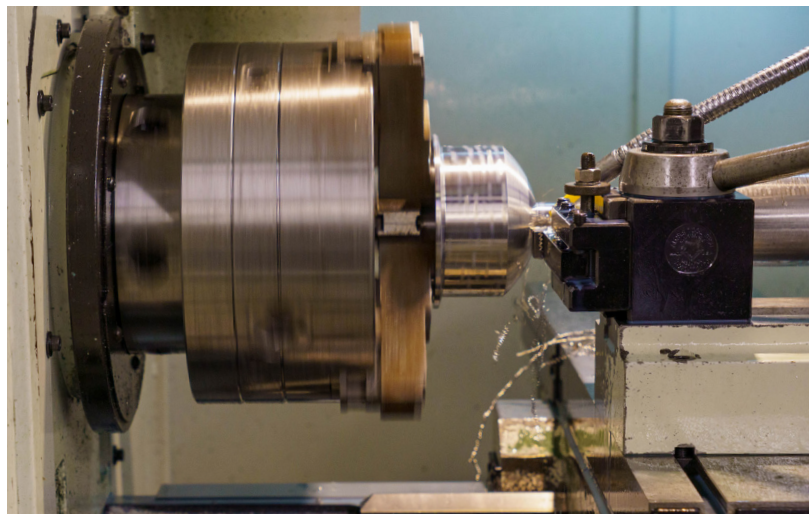
In 1988, the American Society of Mechanical Engineers (ASME) formed a committee comprised of professionals from the BioProcessing community, such as architects, engineers, contractors and stainless steel fabricators, to compose a Manufacturing Standard for BioProcessing Equipment (BPE). Advance Fittings was one of the first to answer the call and volunteer...We have been involved in BPE ever since. When ASME published the BPE Standard in 1995, we were there assisting in the composition of the standard. Prior to the publication, we implemented the requirements into our manufacturing processes. Today our fittings and components surpass the ASME-BPE standard and exceed customer expectations assuring performance with integrity in a BioPharmaceutical processing environment. As the BPI evolved and processes changed, so has the BPE Standard and it will continue to change as needed. Advance Fittings will always be a part of the BPE Committee while it's accomplishing its goal of providing a world standard.

Our "concept" has allowed us to be the only USA company manufacturing the complete line of BPE fittings ranging in size 1/4" through 6". While we do focus on the Biopharmaceutical Industry, our roots and interests in the food, dairy, and personal care product industries still exist, as well as in the semiconductor industry, with sizes ranging from 1/8" to 12".



**Advance Fittings a USA Manufacturing Company
Providing "Performance with Integrity"**

Our Products & Services



PRODUCTS

- BPE BIOPHARM FITTINGS
- CLAMP FITTINGS
- BUTT WELD & TUBE OD FITTINGS
- CUSTOM FABRICATIONS

SERVICES

- ELECTROPOLISHING
- LASER MARKING
- POLISHING
- MACHINING
- WELDING
- FABRICATION

Our Mission

We heal, serve and support lives around the world by manufacturing high quality fittings and custom components made here in the USA.

Industries Served

BIOPHARMACEUTICAL

Advance Fittings offers a broad range of Biopharmaceutical fittings for process component applications. Important features are proven to fulfill the exacting installation and operational requirements. For over 30 years, Advance Fittings has devoted its energies to producing the highest quality fittings for use in the Biopharmaceutical industry. We consistently surpass the requirements needed in this industry to assure each fitting will perform with integrity when installed into the processing system

DAIRY

Advance Fittings Corporation began their journey making fittings for the food and dairy industries. Dairy production in the United States is held to strict sanitation standards, which is why we continue to grow and improve by employing 21st century manufacturing procedures. Our sanitary fittings meet and exceed the high standards of cleanliness and disinfection for the dairy industry.

FOOD & BEVERAGE

To ensure products remain safe for consumption and last as long as they should it is important that products are manufactured properly. This is the reason many food and beverage plants choose to invest in stainless steel products, like our stainless-steel fittings. Stainless steel can be used in both very cold and very hot temperatures, which makes our fittings perfect for all phases of food and beverage production. Stainless steel is also long lasting and easy to clean.

PERSONAL CARE

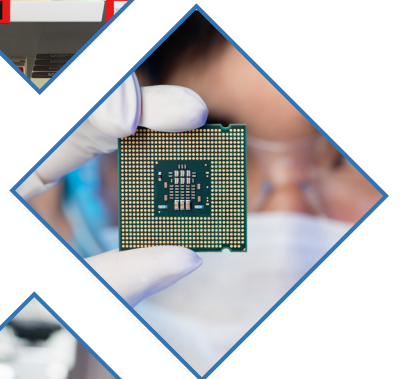
Personal care items include products such as deodorant, facial cleanser, body wash, perfumes, lotions, shampoo, and toothpaste. Since many of these products are used in direct contact with the human body, the fittings used in the production of these items must be selected according to hygiene regulations. Our fittings are created with sanitary requirements in mind, ensuring they comply with the industry's high cleanliness standards.

SEMICONDUCTOR

The products used in the semiconductor industry must be free of any impurities, therefore our fittings are manufactured from the highest-quality stainless steel and T316L and "Advance" is permanently laser marked on each fitting to assure receipt of high-quality fittings.

CANNABIS & HEMP

In the cannabis processing industry, distillation through CBD distillate is the fundamental way to achieve purity and potency of cannabis products. The fittings used in hemp and cannabis processing equipment require high levels of quality to create the purest forms of hemp and cannabis.



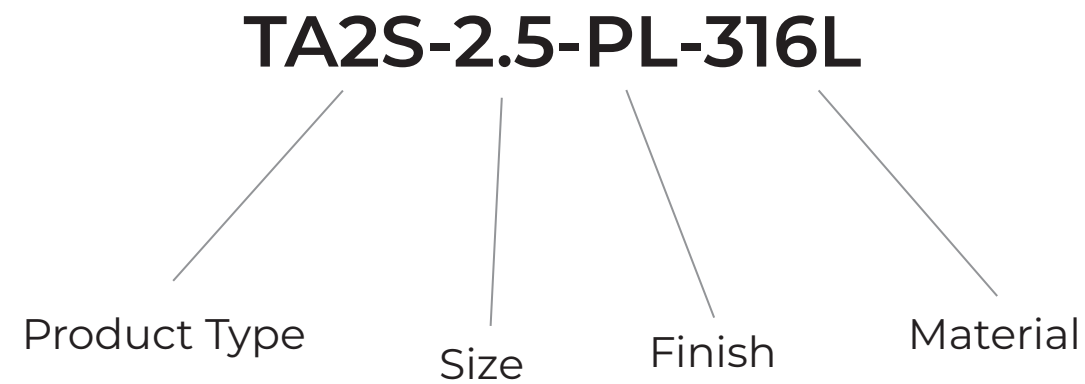
Surface Finish Information

Surface Finishes

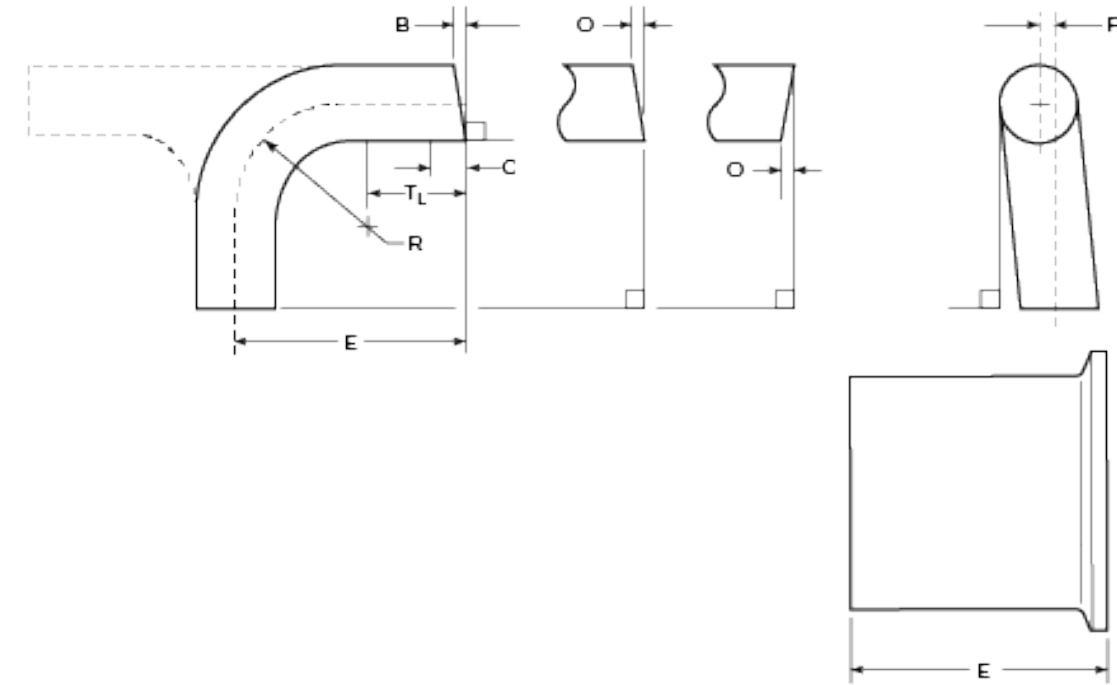
BPE Surface Designation	Finish Code	ID Surface Ra	OD Surface Ra
SF0	PX	Mill	Mill
SF1	PL	20 Ra	32 Ra
SF1	PC	20 Ra	Mill
SF2	P25	25 Ra	32 Ra
SF3	PT	32 Ra	32 Ra
SF3	PT	32 Ra	32 Ra
SF4	PM	15 Ra Electropolished	32 Ra
SF4	PD	15 Ra Electropolished	Mill
SF5	PM20	20 Ra Electropolished	32 Ra
SF6	PM25	25 Ra Electropolished	32 Ra
***	PR	10 Ra Electropolished	32 Ra

Part Number Breakdown

Advance Fittings manufactures a broad range of fittings with a number of available surface finishes. Each number in the Advance Fittings part number identifies the components of each part. When ordering by part number it is imperative that you complete the part number carefully.



ASME BPE Specifications



Nominal Size, in.	O.D.		Wall Thickness		Squareness Face to Tangent, <i>B</i>		Off Angle, <i>O</i>		Equivalent Angle (for <i>O</i>) deg	Off Plane, <i>P</i>		Centerline Radius (CLR), <i>R</i>	
	in.	mm	in.	mm	in.	mm	in.	mm		in.	mm	in.	mm
1/4	±0.005	±0.13	+0.003/-0.004	+0.08/-0.10	0.005	0.13	0.009	0.23	2.1	0.030	0.76	0.563	14.30
3/8	±0.005	±0.13	+0.003/-0.004	+0.08/-0.10	0.005	0.13	0.012	0.30	1.8	0.030	0.76	1.125	28.58
1/2	±0.005	±0.13	+0.005/-0.008	+0.13/-0.20	0.005	0.13	0.014	0.36	1.6	0.030	0.76	1.125	28.58
3/4	±0.005	±0.13	+0.005/-0.008	+0.13/-0.20	0.005	0.13	0.018	0.46	1.4	0.030	0.76	1.125	28.58
1	±0.005	±0.13	+0.005/-0.008	+0.13/-0.20	0.008	0.20	0.025	0.64	1.4	0.030	0.76	1.500	38.10
1 1/2	±0.008	±0.20	+0.005/-0.008	+0.13/-0.20	0.008	0.20	0.034	0.86	1.3	0.050	1.27	2.250	57.15
2	±0.008	±0.20	+0.005/-0.008	+0.13/-0.20	0.008	0.20	0.043	1.09	1.2	0.050	1.27	3.000	76.20
2 1/2	±0.010	±0.25	+0.005/-0.008	+0.13/-0.20	0.010	0.25	0.054	1.37	1.2	0.050	1.27	3.750	95.25
3	±0.010	±0.25	+0.005/-0.008	+0.13/-0.20	0.016	0.41	0.068	1.73	1.3	0.050	1.27	4.500	114.-30
4	±0.015	±0.38	+0.008/-0.010	+0.20/-0.25	0.016	0.41	0.086	2.18	1.2	0.060	1.52	6.000	152.-40
6	±0.030	±0.76	+0.015/-0.015	+0.38/-0.38	0.030	0.76	0.135	3.43	1.3	0.060	1.52	9.000	228.-60

GENERAL NOTES:

- (a) Tolerance on end-to-end and center-to-end dimension *E* is ±0.050 in. (1.27 mm) for all fittings and process components depicted. For those not depicted in this Standard, see manufacturer for standards.
- (b) See [Table DT-3-2](#) for electropolished wall thickness tolerances.
- (c) See [DT-7](#) (Tolerances) for *C* control portion lengths.
- (d) See [Table DT-4.1-1](#) for *T_L* tangent length dimensions.
- (e) Tolerance for centerline radius (CLR) is ±10% of the nominal dimension (*R*).
- (f) Refer to [DT-7.2](#) for tubing tolerances.

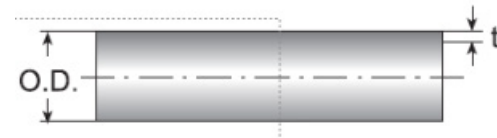
Tube Specifications

Standards:

- ASTM A-269/A270-S2
- ASME BPE

Surface Finish:

Surface finish specifications are the same for fittings & tubes. Please refer to table on page 6.



Tube Dimensional Tolerances: Tubing Specifications, ASTM A-269/A270-S2

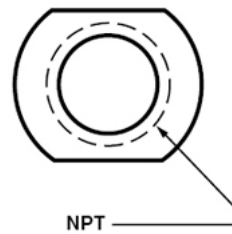
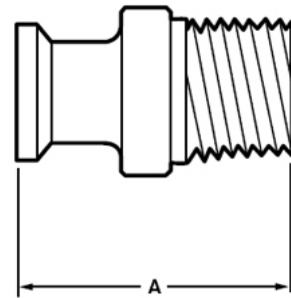
Tubing Diameter		Wall Thickness		OD Tolerance Length (ASTM Spec.)		Length (ASTM Spec.)		Wall Thickness Tolerance
Inch	mm	Inch	mm	Inch	mm	Inch	mm	ASTM Spec.
1/4	6.35	0.035	.89	+/-0.005	+/-0.127	0.125	3.175	+/- 10%
3/8	9.53	0.035	.89	+/-0.005	+/-0.128	0.125	3.175	+/- 10%
1/2	12.70	0.065	1.65	+/-0.005	+/-0.129	0.125	3.175	+/- 10%
3/4	19.05	0.065	1.65	+/-0.005	+/-0.130	0.125	3.175	+/- 10%
1	25.40	0.065	1.65	+/-0.005	+/-0.131	0.125	3.175	+/- 10%
1 1/2	38.10	0.065	1.65	+/-0.008	+/-0.203	0.125	3.175	+/- 10%
2	50.80	0.065	1.65	+/-0.008	+/-0.204	0.125	3.175	+/- 10%
2 1/2	63.50	0.065	1.65	+/-0.010	+/-0.254	0.125	3.175	+/- 10%
3	76.20	0.065	1.65	+/-0.015	+/-0.381	0.125	3.175	+/- 10%
4	101.60	0.083	2.11	+/-0.015	+/-0.381	0.188	4.763	+/- 10%
6	152.40	0.109	2.77	+/-0.030	+/-0.762	0.188	4.763	+/- 10%

BioPharm Fittings ASME-BPE

Advance Fittings offers a broad range of Biopharmaceutical fittings for process component applications. Important features are proven to fulfill the exacting installation and operational requirements. For over 30 years, Advance Fittings has devoted its energies to producing the highest quality fittings for use in the Biopharmaceutical industry. We consistently surpass the requirements needed in this industry to assure each fitting will perform with integrity when installed into the processing system.



Adapters

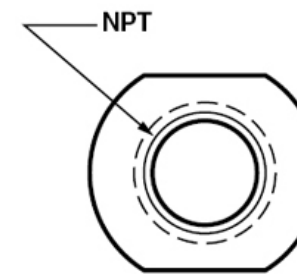
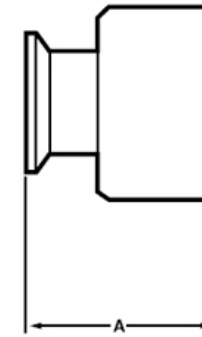


A21MP – Hygienic Clamp Joint x Male Pipe Thread Adapter (MNPT)

SIZE	A	PL / SF1 / 20 ra T316L	PM / SF4 / 20 ra EP T316L
1/2 x 1/8	2	A21MP-.5x.125-PL-316L	A21MP-.5x.125-PM-316L
1/2 x 1/4	2	A21MP-.5x.25-PL-316L	A21MP-.5x.25-PM-316L
1/2 x 3/8	2	A21MP-.5x.375-PL-316L	A21MP-.5x.375-PM-316L
1/2 x 1/2	2	A21MP-.5-PL-316L	A21MP-.5-PM-316L
3/4 x 1/8	2	A21MP-.75x.125-PL-316L	A21MP-.75x.125-PM-316L
3/4 x 1/4	2	A21MP-.75x.25-PL-316L	A21MP-.75x.25-PM-316L
3/4 x 3/8	2	A21MP-.75x.375-PL-316L	A21MP-.75x.375-PM-316L
3/4 x 1/2	2	A21MP-.75x.5-PL-316L	A21MP-.75x.5-PM-316L
3/4 x 3/4	2	A21MP-.75-PL-316L	A21MP-.75-PM-316L
1 x 1/8	1 23/32	A21MP-1x.125-PL-316L	A21MP-1x.125-PM-316L
1 x 1/4	1 23/32	A21MP-1x.25-PL-316L	A21MP-1x.25-PM-316L
1 x 3/8	1 23/32	A21MP-1x.375-PL-316L	A21MP-1x.375-PM-316L
1 x 1/2	2	A21MP-1x.5-PL-316L	A21MP-1x.5-PM-316L
1 x 3/4	2 3/16	A21MP-1x.75-PL-316L	A21MP-1x.75-PM-316L
1 x 1	2 1/4	A21MP-1-PL-316L	A21MP-1-PM-316L
1 1/2 x 1/2	2	A21MP-1.5x.5-PL-316L	A21MP-1.5x.5-PM-316L
1 1/2 x 3/4	2 3/16	A21MP-1.5x.75-PL-316L	A21MP-1.5x.75-PM-316L
1 1/2 x 1	2 5/16	A21MP-1.5x1-PL-316L	A21MP-1.5x1-PM-316L
1 1/2 x 1 1/2	2 7/16	A21MP-1.5-PL-316L	A21MP-1.5-PM-316L
2 x 1/2	2 5/64	A21MP-2x.5-PL-316L	A21MP-2x.5-PM-316L
2 x 3/4	2 3/32	A21MP-2x.75-PL-316L	A21MP-2x.75-PM-316L
2 x 1	2	A21MP-2x1-PL-316L	A21MP-2x1-PM-316L
2 x 1 1/2	2	A21MP-2x1.5-PL-316L	A21MP-2x1.5-PM-316L
2 x 2	2 21/32	A21MP-2x2-PL-316L	A21MP-2x2-PM-316L
2 1/2 x 2 1/2	2 9/32	A21MP-2.5-PL-316L	A21MP-2.5-PM-316L
3 x 3	3 1/2	A21MP-3-PL-316L	A21MP-3-PM-316L
4 x 4	3 13/16	A21MP-4-PL-316L	A21MP-4-PM-316L

Need it customized? Contact us for a quote. Can be ordered in other material types.

Adapters

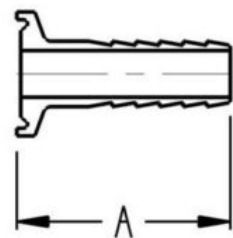
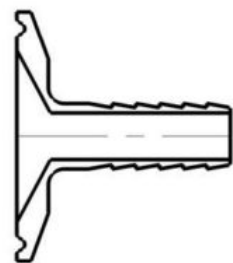
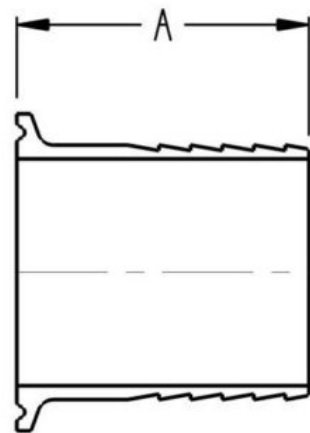


A22MP – Hygienic Clamp Joint x Female Pipe Thread Adapter (FNPT)

SIZE	A	PL / SF1 / 20 ra T316L	PM / SF4 / 15 ra T316L
1/2 x 1/8	1 1/4	A22MP-.5x.125-PL-316L	A22MP-.5x.125-PM-316L
1/2 x 1/4	1 1/2	A22MP-.5x.25-PL-316L	A22MP-.5x.25-PM-316L
1/2 x 3/8	1 1/2	A22MP-.5x.375-PL-316L	A22MP-.5x.375-PM-316L
1/2 x 1/2	1 1/2	A22MP-.5-PL-316L	A22MP-.5-PM-316L
3/4 x 1/8	1 1/2	A22MP-.75x.125-PL-316L	A22MP-.75x.125-PM-316L
3/4 x 1/4	1 1/2	A22MP-.75x.25-PL-316L	A22MP-.75x.25-PM-316L
3/4 x 3/8	1 1/2	A22MP-.75x.375-PL-316L	A22MP-.75x.375-PM-316L
3/4 x 1/2	1 1/2	A22MP-.75x.5-PL-316L	A22MP-.75x.5-PM-316L
3/4 x 3/4	1 1/2	A22MP-.75-PL-316L	A22MP-.75-PM-316L
1 x 1/8	1 1/2	A22MP-1x.125-PL-316L	A22MP-1x.125-PM-316L
1 x 1/4	1 11/16	A22MP-1x.25-PL-316L	A22MP-1x.25-PM-316L
1 x 3/8	1 5/8	A22MP-1x.375-PL-316L	A22MP-1x.375-PM-316L
1 x 1/2	1 1/2	A22MP-1x.5-PL-316L	A22MP-1x.5-PM-316L
1 x 3/4	1 1/2	A22MP-1x.75-PL-316L	A22MP-1x.75-PM-316L
1 x 1	1 5/8	A22MP-1-PL-316L	A22MP-1-PM-316L
1 1/2 x 1/2	1 1/2	A22MP-1.5x.5-PL-316L	A22MP-1.5x.5-PM-316L
1 1/2 x 3/4	1 5/8	A22MP-1.5x.75-PL-316L	A22MP-1.5x.75-PM-316L
1 1/2 x 1	1 5/8	A22MP-1.5x1-PL-316L	A22MP-1.5x1-PM-316L
1 1/2 x 1 1/2	1 1/2	A22MP-1.5-PL-316L	A22MP-1.5-PM-316L
2 x 1/2	1 5/8	A22MP-2x.5-PL-316L	A22MP-2x.5-PM-316L
2 x 3/4	1 5/8	A22MP-2x.75-PL-316L	A22MP-2x.75-PM-316L
2 x 1	1 1/2	A22MP-2x1-PL-316L	A22MP-2x1-PM-316L
2 x 1 1/2	1 1/2	A22MP-2x1.5-PL-316L	A22MP-2x1.5-PM-316L
2 x 2	1 23/32	A22MP-2-PL-316L	A22MP-2-PM-316L
2 1/2 x 2 1/2	2 3/32	A22MP-2.5-PL-316L	A22MP-2.5-PM-316L
3 x 3	2 3/16	A22MP-3-PL-316L	A22MP-3-PM-316L
4 x 4	2 5/8	A22MP-4-PL-316L	A22MP-4-PM-316L

Need it customized? Contact us for a quote. Can be ordered in other material types.

Adapters



A14MPHR – Hygienic Clamp Joint x Hose Barb Adapter

SIZE	A	PL / SF1 / 20 ra T316L	PM / SF4 / 15 ra EP T316L
1/8	1.500	A14MPHR-.125-PL-316L	A14MPHR-.125-PM-316L
1/2 x 1/8	1.500	A14MPHR-.5x.125-PL-316L	A14MPHR-.5x.125-PM-316L
3/4 x 1/8	1.500	A14MPHR-.75x.125-PL-316L	A14MPHR-.75x.125-PM-316L
1 x 1/8	1.250	A14MPHR-1x.125-PL-316L	A14MPHR-1x.125-PM-316L
1 1/2 x 1/8	1.500	A14MPHR-1.5x.125-PL-316L	A14MPHR-1.5x.125-PM-316L
17/91	1.500	A14MPHR-.187-PL-316L	A14MPHR-.187-PM-316L
1/2 x 3/16	1.500	A14MPHR-.5x.187-PL-316L	A14MPHR-.5x.187-PM-316L
3/4 x 3/16	1.500	A14MPHR-.75x.187-PL-316L	A14MPHR-.75x.187-PM-316L
1 x 3/16	1.250	A14MPHR-1x.187-PL-316L	A14MPHR-1x.187-PM-316L
1/4	1.687	A14MPHR-.25-PL-316L	A14MPHR-.25-PM-316L
3/8 x 1/4	1.687	A14MPHR-.375x.25-PL-316L	A14MPHR-.375x.25-PM-316L
1/2 x 1/4	1.687	A14MPHR-.5x.25-PL-316L	A14MPHR-.5x.25-PM-316L
3/4 x 1/4	1.687	A14MPHR-.75x.25-PL-316L	A14MPHR-.75x.25-PM-316L
1 x 1/4	1.687	A14MPHR-1x.25-PL-316L	A14MPHR-1x.25-PM-316L
1 1/2 x 1/4	1.687	A14MPHR-1.5x.25-PL-316L	A14MPHR-1.5x.25-PM-316L
2 x 1/4	1.687	A14MPHR-2x.25-PL-316L	A14MPHR-2x.25-PM-316L
5/16	1.687	A14MPHR-.312-PL-316L	A14MPHR-.312-PM-316L
1/2 x 5/16	1.687	A14MPHR-.5x.312-PL-316L	A14MPHR-.5x.312-PM-316L
3/4 x 5/16	1.687	A14MPHR-.75x.312-PL-316L	A14MPHR-.75x.312-PM-316L
1 x 5/16	1.687	A14MPHR-.5x.312-PL-316L	A14MPHR-.5x.312-PM-316L
1 1/2 x 5/16	1.687	A14MPHR-1.5x.312-PL-316L	A14MPHR-1.5x.312-PM-316L
3/8	1.687	A14MPHR-.375-PL-316L	A14MPHR-.375-PM-316L
1/2 x 3/8	1.687	A14MPHR-.5x.375-PL-316L	A14MPHR-.5x.375-PM-316L
3/4 x 3/8	1.687	A14MPHR-.75x.375-PL-316L	A14MPHR-.75x.375-PM-316L
1 x 3/8	1.687	A14MPHR-1x.375-PL-316L	A14MPHR-1x.375-PM-316L
1 1/2 x 3/8	1.687	A14MPHR-1.5x.375-PL-316L	A14MPHR-1.5x.375-PM-316L
2 x 3/8	1.687	A14MPHR-2x.375-PL-316L	A14MPHR-2x.375-PM-316L
7/16	1.687	A14MPHR-.437-PL-316L	A14MPHR-.437-PM-316L
1/2	1.687	A14MPHR-.5-PL-316L	A14MPHR-.5-PM-316L
3/4 x 1/2	1.687	A14MPHR-.75x.5-PL-316L	A14MPHR-.75x.5-PM-316L
1 x 1/2	1.687	A14MPHR-1x.5-PL-316L	A14MPHR-1x.5-PM-316L
1 1/2 x 1/2	1.687	A14MPHR-1.5x.5-PL-316L	A14MPHR-1.5x.5-PM-316L

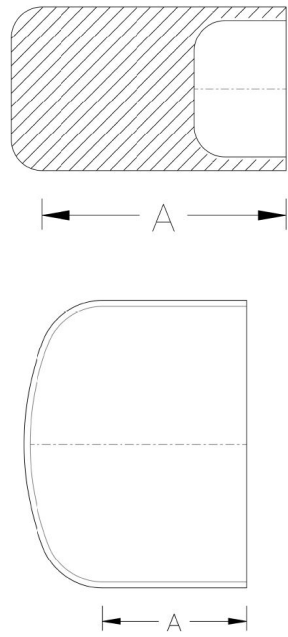
Adapters

A14MPHR – Hygienic Clamp Joint x Hose Barb Adapter, cont'd

SIZE	A	PL / SF1 / 20 ra T316L	PM / SF4 / 15 ra EP T316L
2 x 1/2	1.687	A14MPHR-2x.5-PL-316L	A14MPHR-2x.5-PM-316L
5/8	1.687	A14MPHR-.625-PL-316L	A14MPHR-.625-PM-316L
3/4 x 5/8	1.687	A14MPHR-.75x.625-PL-316L	A14MPHR-.75x.625-PM-316L
1 x 5/8	1.687	A14MPHR-1x.625-PL-316L	A14MPHR-1x.625-PM-316L
1 1/2 x 5/8	1.687	A14MPHR-1.5x.625-PL-316L	A14MPHR-1.5x.625-PM-316L
3/4	1.687	A14MPHR-.75-PL-316L	A14MPHR-.75-PM-316L
1 x 3/4	1.687	A14MPHR-1x.75-PL-316L	A14MPHR-1x.75-PM-316L
1 1/2 x 3/4	1.687	A14MPHR-1.5x.75-PL-316L	A14MPHR-1.5x.75-PM-316L
2 x 3/4	1.687	A14MPHR-2x.75-PL-316L	A14MPHR-2x.75-PM-316L
1	1.687	A14MPHR-1-PL-316L	A14MPHR-1-PM-316L
1 1/2 x 1	1.687	A14MPHR-1.5x1-PL-316L	A14MPHR-1.5x1-PM-316L
2 x 1	1.687	A14MPHR-2x1-PL-316L	A14MPHR-2x1-PM-316L
2 1/2 x 1	1.687	A14MPHR-2.5x1-PL-316L	A14MPHR-2.5x1-PM-316L
3 x 1	1.687	A14MPHR-3x1-PL-316L	A14MPHR-3x1-PM-316L
1 1/4	1.687	A14MPHR-1.25-PL-316L	A14MPHR-1.25-PM-316L
1 1/2 x 1 1/4	1.687	A14MPHR-1.5x1.25-PL-316L	A14MPHR-1.5x1.25-PM-316L
2 x 1-1/4	1.687	A14MPHR-2x1.25-PL-316L	A14MPHR-2x1.25-PM-316L
1 1/2	1.687	A14MPHR-1.5-PL-316L	A14MPHR-1.5-PM-316L
2 x 1-1/2	1.687	A14MPHR-2x1.5-PL-316L	A14MPHR-2x1.5-PM-316L
2-1/2 x 1-1/2	1.687	A14MPHR-2.5x1.5-PL-316L	A14MPHR-2.5x1.5-PM-316L
3 x 1-1/2	1.687	A14MPHR-3x1.5-PL-316L	A14MPHR-3x1.5-PM-316L
2	2.312	A14MPHR-2-PL-316L	A14MPHR-2-PM-316L
2-1/2 x 2	2.312	A14MPHR-2.5x2-PL-316L	A14MPHR-2.5x2-PM-316L
3 x 2	2.312	A14MPHR-3x2-PL-316L	A14MPHR-3x2-PM-316L
4 x 2	2.437	A14MPHR-4x2-PL-316L	A14MPHR-4x2-PM-316L
2-1/2	2.343	A14MPHR-2.5-PL-316L	A14MPHR-2.5-PM-316L
3 x 2-1/2	2.343	A14MPHR-3x2.5-PL-316L	A14MPHR-3x2.5-PM-316L
4 x 2-1/2	2.468	A14MPHR-4x2.5-PL-316L	A14MPHR-4x2.5-PM-316L
3	3.093	A14MPHR-3-PL-316L	A14MPHR-3-PM-316L
4 x 3	3.218	A14MPHR-4x3-PL-316L	A14MPHR-4x3-PM-316L
4	3.406	A14MPHR-4-PL-316L	A14MPHR-4-PM-316L
6	3.531	A14MPHR-6-PL-316L	A14MPHR-6-PM-316L

Need it customized? Contact us for a quote. Can be ordered in other material types.

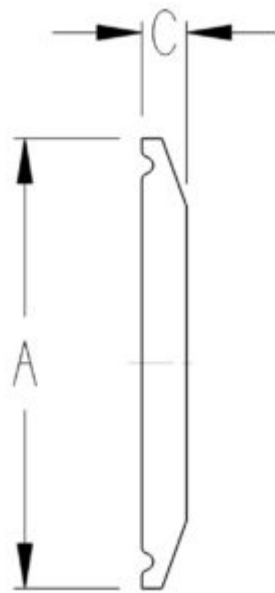
Caps



TA16W – Automatic Tube Weld Cap per DT-4.1.5-1

SIZE	A	PL / SF1 / 20 ra	PM / SF4 / 15ra EP
1/4	1.500	TA16W-.25-PL-316L	TA16W-.25-PM-316L
3/8	1.500	TA16W-.375-PL-316L	TA16W-.375-PM-316L
1/2	1.500	TA16W-.5-PL-316L	TA16W-.5-PM-316L
3/4	1.500	TA16W-.75-PL-316L	TA16W-.75-PM-316L
1	1.500	TA16W-1-PL-316L	TA16W-1-PM-316L
1 1/2	1.500	TA16W-1.5-PL-316L	TA16W-1.5-PM-316L
2	1.500	TA16W-2-PL-316L	TA16W-2-PM-316L
2 1/2	1.500	TA16W-2.5-PL-316L	TA16W-2.5-PM-316L
3	1.750	TA16W-3-PL-316L	TA16W-3-PM-316L
4	2.000	TA16W-4-PL-316L	TA16W-4-PM-316L
6	2.500	TA16W-6-PL-316L	TA16W-6-PM-316L

Need it customized? Contact us for a quote. Can be ordered in other material types.

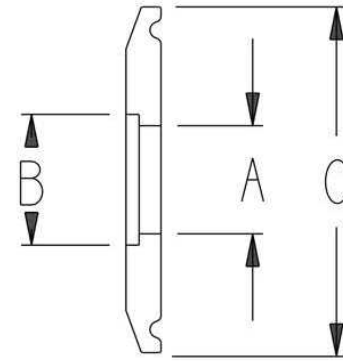


A16AMP – HYGIENIC CLAMP JOINT SOLID END CAP PER DT-4.1.5-2

SIZE	A	C	PL / S1 / 20 ra	PM / SF4 / 15ra EP
1/4 Type A	.984	.187	A16AMP-MINI-PL-316L	A16AMP-MINI-PM-316L
3/8 Type A	.984	.187	A16AMP-MINI-PL-316L	A16AMP-MINI-PM-316L
1/2 Type A	.984	.187	A16AMP-MINI-PL-316L	A16AMP-MINI-PM-316L
3/4 Type A	.984	.187	A16AMP-MINI-PL-316L	A16AMP-MINI-PM-316L
1 Type A	1.339	.250	A16AMP-1A-PL-316L	A16AMP-1A-PM-316L
1 Type B	1.984	.250	A16AMP-1-PL-316L	A16AMP-1-PM-316L
1 1/2 Type B	1.984	.250	A16AMP-1.5-PL-316L	A16AMP-1.5-PM-316L
2 Type B	2.516	.250	A16AMP-2-PL-316L	A16AMP-2-PM-316L
2 1/2 Type B	3.047	.250	A16AMP-2.5-PL-316L	A16AMP-2.5-PM-316L
3 Type B	3.579	.250	A16AMP-3-PL-316L	A16AMP-3-PM-316L
4 Type B	4.682	.312	A16AMP-4-PL-316L	A16AMP-4-PM-316L
6 Type B	6.570	.437	A16AMP-6-PL-316L	A16AMP-6-PM-316L

Need it customized? Contact us for a quote. Can be ordered in other material types.

Caps



A16AMP-SC – Hygienic Clamp Joint Socket Weld Cap (Ferrule)

Note: Although this item meets BPE's dimensional criteria, it is not intended (sold as is) for non-sanitary applications.

SIZE	A	B	C	PL / SFO / Mill T316L
1 x 1/2	0.370	0.515	1.984	A16AMPSC-1x.5-PL-316L
1 x 3/4	0.620	0.765	1.984	A16AMPSC-1x.75-PL-316L
1	0.870	1.020	1.984	A16AMPSC-1-PL-316L
1-1/2 x 1/2	0.370	0.515	1.984	A16AMPSC-1.5x.5-PL-316L
1-1/2 x 3/4	0.620	0.765	1.984	A16AMPSC-1.5x.75-PL-316L
1-1/2 x 1	0.870	1.020	1.984	A16AMPSC-1.5x1-PL-316L
1 1/2	1.370	1.520	1.984	A16AMPSC-1.5-PL-316L
2 x 1/2	0.370	0.515	2.516	A16AMPSC-2x.5-PL-316L
2 x 3/4	0.620	0.765	2.516	A16AMPSC-2x.75-PL-316L
2 x 1	0.870	1.020	2.516	A16AMPSC-2x1-PL-316L
2 x 1-1/2	1.370	1.520	2.516	A16AMPSC-2x1.5-PL-316L
2	1.870	2.020	2.516	A16AMPSC-2x1.5-PL-316L
2-1/2 x 1/2	0.370	0.515	3.047	A16AMPSC-2.5x.5-PL-316L
2-1/2 x 3/4	0.620	0.765	3.047	A16AMPSC-2.5x.75-PL-316L
2-1/2 x 1	0.870	1.020	3.047	A16AMPSC-2.5x1-PL-316L
2-1/2 x 1-1/2	1.370	1.520	3.047	A16AMPSC-2.5x1.5-PL-316L
2-1/2 x 2	1.870	2.020	3.047	A16AMPSC-2.5x2-PL-316L
2-1/2	2.370	2.520	3.047	A16AMPSC-2.5-PL-316L
3 x 1/2	0.370	0.515	3.579	A16AMPSC-3x.5-PL-316L
3 x 3/4	0.620	0.765	3.579	A16AMPSC-3x.75-PL-316L
3 x 1	0.870	1.020	3.579	A16AMPSC-3x1-PL-316L
3 x 1-1/2	1.370	1.520	3.579	A16AMPSC-3x1.5-PL-316L
3 x 2	1.870	2.020	3.579	A16AMPSC-3x2-PL-316L
3 x 2-1/2	2.370	2.520	3.579	A16AMPSC-3x2.5-PL-316L
3	2.870	3.025	3.579	A16AMPSC-3-PL-316L
4 x 1/2	0.370	0.515	4.682	A16AMPSC-4x.5-PL-316L
4 x 3/4	0.620	0.765	4.682	A16AMPSC-4x.75-PL-316L
4 x 1	0.870	1.020	4.682	A16AMPSC-4x1-PL-316L
4 x 1-1/2	1.370	1.520	4.682	A16AMPSC-4x1.5-PL-316L
4 x 2	1.870	2.020	4.682	A16AMPSC-4x2-PL-316L

Caps

A16AMP-SC – Hygienic Clamp Joint Socket Weld Cap (Ferrule), cont'd

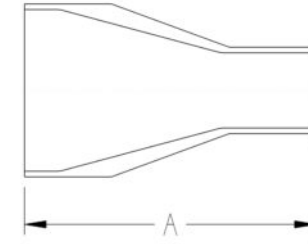
Note: Although this item meets BPE's dimensional criteria, it is not intended (sold as is) for non-sanitary applications.

SIZE	A	B	C	PL / SFO / Mill T316L
4 x 2-1/2	2.370	2.520	4.682	A16AMPSC-4x2.5-PL-316L
4 x 3	2.870	3.025	4.682	A16AMPSC-4x3-PL-316L
4	3.834	4.030	4.682	A16AMPSC-4-PL-316L
6 x 1/2	0.370	0.515	6.570	A16AMPSC-6x.5-PL-316L
6 x 3/4	0.620	0.765	6.570	A16AMPSC-6x.75-PL-316L
6 x 1	0.870	1.020	6.570	A16AMPSC-6x1-PL-316L
6 x 1-1/2	1.370	1.520	6.570	A16AMPSC-6x1.5-PL-316L
6 x 2	1.870	2.020	6.570	A16AMPSC-6x2-PL-316L
6 x 2-1/2	2.370	2.520	6.570	A16AMPSC-6x2.5-PL-316L
6 x 3	2.870	3.025	6.570	A16AMPSC-6x3-PL-316L
6 x 4	3.834	4.030	6.570	A16AMPSC-6x4-PL-316L
6	5.782	6.035	6.570	A16AMPSC-6-PL-316L

Need it customized? Contact us for a quote. Can be ordered in other material types.



Concentric Reducer Fitting



TA31ES – Automatic Tube Weld Concentric Reducer per DT-4.1.3-1

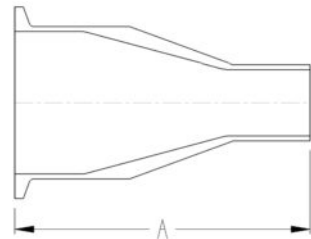
SIZE	A	SF1 / PL / 20 ra ID	SF4 / PM / 15 ra EP
3/8 x 1/4	1.625	TA31ES-.375x.25-PL-316L	TA31ES-.375x.25-PM-316L
1/2 x 1/4	1.875	TA31ES-.5x.25-PL-316L	TA31ES-.5x.25-PM-316L
1/2 x 3/8	1.875	TA31ES-.5x.375-PL-316L	TA31ES-.5x.375-PM-316L
3/4 x 1/4	1.875	TA31ES-.75x.25-PL-316L	TA31ES-.75x.25-PM-316L
3/4 x 3/8	2.000	TA31ES-.75x.375-PL-316L	TA31ES-.75x.375-PM-316L
3/4 x 1/2	2.125	TA31ES-.75x.5-PL-316L	TA31ES-.75x.5-PM-316L
1 x 1/4	2.000	TA31ES-1x.25-PL-316L	TA31ES-1x.25-PM-316L
1 x 3/8	1.875	TA31ES-1x.375-PL-316L	TA31ES-1x.375-PM-316L
1 x 1/2	2.500	TA31ES-1x.5-PL-316L	TA31ES-1x.5-PM-316L
1 x 3/4	2.125	TA31ES-1x.75-PL-316L	TA31ES-1x.75-PM-316L
1 1/2 x 1/2	2.250	TA31ES-1.5x.5-PL-316L	TA31ES-1.5x.5-PM-316L
1 1/2 x 3/4	3.000	TA31ES-1.5x.75-PL-316L	TA31ES-1.5x.75-PM-316L
1 1/2 x 1	2.500	TA31ES-1.5x1-PL-316L	TA31ES-1.5x1-PM-316L
2 x 1/2	2.750	TA31ES-2x.5-PL-316L	TA31ES-2x.5-PM-316L
2 x 3/4	2.750	TA31ES-2x.75-PL-316L	TA31ES-2x.75-PM-316L
2 x 1	3.375	TA31ES-2x1-PL-316L	TA31ES-2x1-PM-316L
2 x 1 1/2	2.500	TA31ES-2x1.5-PL-316L	TA31ES-2x1.5-PM-316L
2 1/2 x 1/2	3.750	TA31ES-2.5x.5-PL-316L	TA31ES-2.5x.5-PM-316L
2 1/2 x 3/4	3.500	TA31ES-2.5x.75-PL-316L	TA31ES-2.5x.75-PM-316L
2 1/2 x 1	3.250	TA31ES-2.5x1-PL-316L	TA31ES-2.5x1-PM-316L
2 1/2 x 1 1/2	3.375	TA31ES-2.5x1.5-PL-316L	TA31ES-2.5x1.5-PM-316L
2 1/2 x 2	2.500	TA31ES-2.5x2-PL-316L	TA31ES-2.5x2-PM-316L
3 x 1/2	4.625	TA31ES-3x.5-PL-316L	TA31ES-3x.5-PM-316L
3 x 3/4	4.500	TA31ES-3x.75-PL-316L	TA31ES-3x.75-PM-316L
3 x 1	4.250	TA31ES-3x1-PL-316L	TA31ES-3x1-PM-316L
3 x 1 1/2	4.250	TA31ES-3x1.5-PL-316L	TA31ES-3x1.5-PM-316L
3 x 2	3.375	TA31ES-3x2-PL-316L	TA31ES-3x2-PM-316L
3 x 2 1/2	2.625	TA31ES-3x2.5-PL-316L	TA31ES-3x2.5-PM-316L
4 x 1/2	5.125	TA31ES-4x.5-PL-316L	TA31ES-4x.5-PM-316L
4 x 3/4	4.290	TA31ES-4x.75-PL-316L	TA31ES-4x.75-PM-316L
4 x 1	4.125	TA31ES-4x1-PL-316L	TA31ES-4x1-PM-316L
4 x 1 1/2	3.750	TA31ES-4x1.5-PL-316L	TA31ES-4x1.5-PM-316L

Concentric Reducer Fitting

TA31ES – Automatic Tube Weld Concentric Reducer per DT-4.1.3-1, cont'd

SIZE	A	SF1 / PL / 20 ra ID	SF4 / PM / 15 ra EP
4 x 2	5.125	TA31ES-4x2-PL-316L	TA31ES-4x2-PM-316L
4 x 2 1/2	4.250	TA31ES-4x2.5-PL-316L	TA31ES-4x2.5-PM-316L
4 x 3	3.875	TA31ES-4x3-PL-316L	TA31ES-4x3-PM-316L
6 x 3/4	6.750	TA31ES-6x.75-PL-316L	TA31ES-6x.75-PM-316L
6 x 1	8.250	TA31ES-6x1-PL-316L	TA31ES-6x1-PM-316L
6 x 1 1/2	6.375	TA31ES-6x1.5-PL-316L	TA31ES-6x1.5-PM-316L
6 x 2	6.125	TA31ES-6x2-PL-316L	TA31ES-6x2-PM-316L
6 x 2 1/2	5.875	TA31ES-6x2.5-PL-316L	TA31ES-6x2.5-PM-316L
6 x 3	7.250	TA31ES-6x3-PL-316L	TA31ES-6x3-PM-316L
6 x 4	5.625	TA31ES-6x4-PL-316L	TA31ES-6x4-PM-316L

Need it customized? Contact us for a tube reducer quote. Can be ordered in other material types.



TA31MES – Hygienic Clamp Joint x Automatic Tube Weld Concentric Reducer per DT-4.1.3-2

SIZE	A	SF1 / PL / 20 ra ID	SF4 / PM / 15 ra EP
3/8 x 1/4	2.375	TA31MES-.375x.25-PL-316L	TA31MES-.375x.25-PM-316L
1/2 x 1/4	2.375	TA31MES-.5x.25-PL-316L	TA31MES-.5x.25-PM-316L
1/2 x 3/8	2.375	TA31MES-.5x.375-PL-316L	TA31MES-.5x.375-PM-316L
3/4 x 1/4	2.375	TA31MES-.75x.25-PL-316L	TA31MES-.75x.25-PM-316L
3/4 x 3/8	2.500	TA31MES-.75x.375-PL-316L	TA31MES-.75x.375-PM-316L
3/4 x 1/2	2.625	TA31MES-.75x.5-PL-316L	TA31MES-.75x.5-PM-316L
1 x 1/4	2.375	TA31MES-1x.25-PL-316L	TA31MES-1x.25-PM-316L
1 x 3/8	2.375	TA31MES-1x.375-PL-316L	TA31MES-1x.375-PM-316L
1 x 1/2	3.000	TA31MES-1x.5-PL-316L	TA31MES-1x.5-PM-316L
1 x 3/4	2.625	TA31MES-1x.75-PL-316L	TA31MES-1x.75-PM-316L
1 1/2 x 1/2	2.750	TA31MES-1.5x.5-PL-316L	TA31MES-1.5x.5-PM-316L
1 1/2 x 3/4	3.500	TA31MES-1.5x.75-PL-316L	TA31MES-1.5x.75-PM-316L
1 1/2 x 1	3.000	TA31MES-1.5x1-PL-316L	TA31MES-1.5x1-PM-316L
2 x 1/2	3.250	TA31MES-2x.5-PL-316L	TA31MES-2x.5-PM-316L

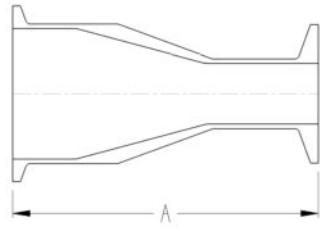
TA31MES – Hygienic Clamp Joint x Automatic Tube Weld Concentric Reducer per DT-4.1.3-2, cont'd

SIZE	A	SF1 / PL / 20 ra ID	SF4 / PM / 15 ra EP
2 x 3/4	3.250	TA31MES-2x.75-PL-316L	TA31MES-2x.75-PM-316L
2 x 1	3.875	TA31MES-2x1-PL-316L	TA31MES-2x1-PM-316L
2 x 1 1/2	3.000	TA31MES-2x1.5-PL-316L	TA31MES-2x1.5-PM-316L
2 1/2 x 1/2	4.250	TA31MES-2.5x.5-PL-316L	TA31MES-2.5x.5-PM-316L
2 1/2 x 3/4	4.000	TA31MES-2.5x.75-PL-316L	TA31MES-2.5x.75-PM-316L
2 1/2 x 1	3.750	TA31MES-2.5x1-PL-316L	TA31MES-2.5x1-PM-316L
2 1/2 x 1 1/2	3.875	TA31MES-2.5x1.5-PL-316L	TA31MES-2.5x1.5-PM-316L
2 1/2 x 2	3.000	TA31MES-2.5x2-PL-316L	TA31MES-2.5x2-PM-316L
3 x 1/2	5.125	TA31MES-3x.5-PL-316L	TA31MES-3x.5-PM-316L
3 x 3/4	5.000	TA31MES-3x.75-PL-316L	TA31MES-3x.75-PM-316L
3 x 1	4.750	TA31MES-3x1-PL-316L	TA31MES-3x1-PM-316L
3 x 1 1/2	4.750	TA31MES-3x1.5-PL-316L	TA31MES-3x1.5-PM-316L
3 x 2	3.875	TA31MES-3x2-PL-316L	TA31MES-3x2-PM-316L
3 x 2 1/2	3.125	TA31MES-3x2.5-PL-316L	TA31MES-3x2.5-PM-316L
4 x 1/2	6.125	TA31MES-4x.5-PL-316L	TA31MES-4x.5-PM-316L
4 x 3/4	5.875	TA31MES-4x.75-PL-316L	TA31MES-4x.75-PM-316L
4 x 1	5.625	TA31MES-4x1-PL-316L	TA31MES-4x1-PM-316L
4 x 1 1/2	5.250	TA31MES-4x1.5-PL-316L	TA31MES-4x1.5-PM-316L
4 x 2	5.750	TA31MES-4x2-PL-316L	TA31MES-4x2-PM-316L
4 x 2 1/2	4.875	TA31MES-4x2.5-PL-316L	TA31MES-4x2.5-PM-316L
4 x 3	4.500	TA31MES-4x3-PL-316L	TA31MES-4x3-PM-316L
6 x 3/4	7.500	TA31MES-6x.75-PL-316L	TA31MES-6x.75-PM-316L
6 x 1	7.375	TA31MES-6x1-PL-316L	TA31MES-6x1-PM-316L
6 x 1 1/2	7.125	TA31MES-6x1.5-PL-316L	TA31MES-6x1.5-PM-316L
6 x 2	6.875	TA31MES-6x2-PL-316L	TA31MES-6x2-PM-316L
6 x 2 1/2	6.625	TA31MES-6x2.5-PL-316L	TA31MES-6x2.5-PM-316L
6 x 3	8.000	TA31MES-6x3-PL-316L	TA31MES-6x3-PL-316L
6 x 4	6.375	TA31MES-6x4-PL-316L	TA31MES-6x4-PM-316L

Need it customized? Contact us for a tube reducer quote. Can be ordered in other material types.

Concentric Reducer Fitting

Concentric Reducer Fitting



A31-14MPS – Hygienic Clamp Joint Concentric Reducer per DT-4.1.3-3

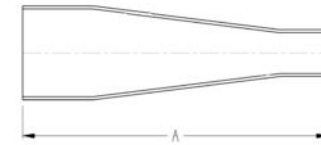
SIZE	A	SF1 / PL / 20 ra ID	SF4 / PM / 15 ra EP
3/8 x 1/4	2.875	A3114MPS-.375x.25-PL-316L	A3114MPS-.375x.25-PM-316L
1/2 x 1/4	2.875	A3114MPS-.5x.25-PL-316L	A3114MPS-.5x.25-PM-316L
1/2 x 3/8	2.875	A3114MPS-.5x.375-PL-316L	A3114MPS-.5x.375-PM-316L
3/4 x 1/4	2.875	A3114MPS-.75x.25-PL-316L	A3114MPS-.75x.25-PM-316L
3/4 x 3/8	3.000	A3114MPS-.75x.375-PL-316L	A3114MPS-.75x.375-PM-316L
3/4 x 1/2	3.125	A3114MPS-.75x.5-PL-316L	A3114MPS-.75x.5-PM-316L
1 x 1/4	2.875	A3114MPS-1x.25-PL-316L	A3114MPS-1x.25-PM-316L
1 x 3/8	1.125	A3114MPS-1x.375-PL-316L	A3114MPS-1x.375-PM-316L
1 x 1/2	3.500	A3114MPS-1x.5-PL-316L	A3114MPS-1x.5-PM-316L
1 x 3/4	3.125	A3114MPS-1x.75-PL-316L	A3114MPS-1x.75-PM-316L
1 1/2 x 1/2	3.250	A3114MPS-1.5x.5-PL-316L	A3114MPS-1.5x.5-PM-316L
1 1/2 x 3/4	4.000	A3114MPS-1.5x.75-PL-316L	A3114MPS-1.5x.75-PM-316L
1 1/2 x 1	3.500	A3114MPS-1.5x1-PL-316L	A3114MPS-1.5x1-PM-316L
2 x 1/2	3.750	A3114MPS-2x.5-PL-316L	A3114MPS-2x.5-PM-316L
2 x 3/4	3.750	A3114MPS-2x.75-PL-316L	A3114MPS-2x.75-PM-316L
2 x 1	4.375	A3114MPS-2x1-PL-316L	A3114MPS-2x1-PM-316L
2 x 1 1/2	3.500	A3114MPS-2x1.5-PL-316L	A3114MPS-2x1.5-PM-316L
2 1/2 x 1/2	4.750	A3114MPS-2.5x.5-PL-316L	A3114MPS-2.5x.5-PM-316L
2 1/2 x 3/4	2.500	A3114MPS-2.5x.75-PL-316L	A3114MPS-2.5x.75-PM-316L
2 1/2 x 1	4.250	A3114MPS-2.5x1-PL-316L	A3114MPS-2.5x1-PM-316L
2 1/2 x 1 1/2	4.375	A3114MPS-2.5x1.5-PL-316L	A3114MPS-2.5x1.5-PM-316L
2 1/2 x 2	3.500	A3114MPS-2.5x2-PL-316L	A3114MPS-2.5x2-PM-316L
3 x 1/2	5.625	A3114MPS-3x.5-PL-316L	A3114MPS-3x.5-PM-316L
3 x 3/4	5.500	A3114MPS-3x.75-PL-316L	A3114MPS-3x.75-PM-316L
3 x 1	5.250	A3114MPS-3x1-PL-316L	A3114MPS-3x1-PM-316L
3 x 1 1/2	5.250	A3114MPS-3x1.5-PL-316L	A3114MPS-3x1.5-PM-316L
3 x 2	4.375	A3114MPS-3x2-PL-316L	A3114MPS-3x2-PM-316L
3 x 2 1/2	3.625	A3114MPS-3x2.5-PL-316L	A3114MPS-3x2.5-PM-316L
4 x 1/2	6.250	A3114MPS-4x.5-PL-316L	A3114MPS-4x.5-PM-316L
4 x 3/4	6.375	A3114MPS-4x.75-PL-316L	A3114MPS-4x.75-PM-316L
4 x 1	5.250	A3114MPS-4x1-PL-316L	A3114MPS-4x1-PM-316L
4 x 1 1/2	4.875	A3114MPS-4x1.5-PL-316L	A3114MPS-4x1.5-PM-316L

Concentric Reducer Fitting

A31-14MPS – Hygienic Clamp Joint Concentric Reducer per DT-4.1.3-3, cont'd

SIZE	A	SF1 / PL / 20 ra ID	SF4 / PM / 15 ra EP
4 x 2	6.250	A3114MPS-4x2-PL-316L	A3114MPS-4x2-PM-316L
4 x 2 1/2	5.375	A3114MPS-4x2.5-PL-316L	A3114MPS-4x2.5-PM-316L
4 x 3	5.000	A3114MPS-4x3-PL-316L	A3114MPS-4x3-PM-316L
6 x 3/4	8.000	A3114MPS-6x.75-PL-316L	A3114MPS-6x.75-PM-316L
6 x 1	7.875	A3114MPS-6x1-PL-316L	A3114MPS-6x1-PM-316L
6 x 1 1/2	7.625	A3114MPS-6x1.5-PL-316L	A3114MPS-6x1.5-PM-316L
6 x 2	7.375	A3114MPS-6x2-PL-316L	A3114MPS-6x2-PM-316L
6 x 2 1/2	7.125	A3114MPS-6x2.5-PL-316L	A3114MPS-6x2.5-PM-316L
6 x 3	8.500	A3114MPS-6x3-PL-316L	A3114MPS-6x3-PM-316L
6 x 4	7.000	A3114MPS-6x4-PL-316L	A3114MPS-6x4-PM-316L

Need it customized? Contact us for a tube reducer quote. Can be ordered in other material types.

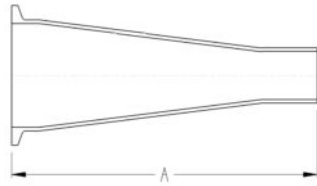


TA31E – Automatic Tube Weld Concentric Reducer (lengths previous to BPE rev 2014)

SIZE TUBE O.D	A	SF1 / PL / 20 ra ID	SF4 / PM / 15 ra EP
3/4 x 1/2	4	TA31E-.75x.5-PL-316L	TA31E-.75x.5-PM-316L
1 x 1/2	4 1/2	TA31E-1x.5-PL-316L	TA31E-1x.5-PM-316L
1 x 3/4	4	TA31E-1x.75-PL-316L	TA31E-1x.75-PM-316L
1 1/2 x 1/2	5 1/2	TA31E-1.5x.5-PL-316L	TA31E-1.5x.5-PM-316L
1 1/2 x 3/4	5	TA31E-1.5x.75-PL-316L	TA31E-1.5x.75-PM-316L
1 1/2 x 1	5	TA31E-1.5x1-PL-316L	TA31E-1.5x1-PM-316L
2 x 1	7 1/4	TA31E-2x1-PL-316L	TA31E-2x1-PM-316L
2 x 1 1/2	5 1/4	TA31E-2x1.5-PL-316L	TA31E-2x1.5-PM-316L
2 1/2 x 1 1/2	7 1/4	TA31E-2.5x1.5-PL-316L	TA31E-2.5x1.5-PM-316L
2 1/2 x 2	5 1/2	TA31E-2.5x2-PL-316L	TA31E-2.5x2-PM-316L
3 x 1 1/2	9 1/4	TA31E-3x1.5-PL-316L	TA31E-3x1.5-PM-316L
3 x 2	7 1/2	TA31E-3x2-PL-316L	TA31E-3x2-PM-316L
3 x 2 1/2	5 1/2	TA31E-3x2.5-PL-316L	TA31E-3x2.5-PM-316L
4 x 2	11 3/4	TA31E-4x2-PL-316L	TA31E-4x2-PM-316L
4 x 2 1/2	9 3/4	TA31E-4x2.5-PL-316L	TA31E-4x2.5-PM-316L
4 x 3	7 3/4	TA31E-4x3-PL-316L	TA31E-4x3-PM-316L

Need it customized? Contact us for a quote. Can be ordered in other material types.

Concentric Reducer Fitting



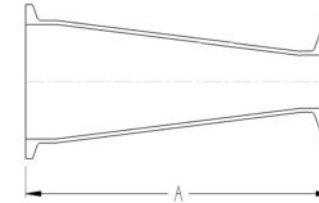
TA31ME – Hygienic Clamp Joint x Automatic Tube Weld Concentric Reducer (lengths previous to BPE rev 2014)

SIZE TUBE O.D	A	SF1 / PL / 20 ra ID	SF4 / PM / 15 ra EP
3/4 x 1/2	3	TA31ME-.75x.5-PL-316L	TA31ME-.75x.5-PM-316L
1 x 1/2	3 1/2	TA31ME-1x.5-PL-316L	TA31ME-1x.5-PM-316L
1 x 3/4	3	TA31ME-1x.75-PL-316L	TA31ME-1x.75-PM-316L
1 1/2 x 1/2	4 1/2	TA31ME-1.5x.5-PL-316L	TA31ME-1.5x.5-PM-316L
1 1/2 x 3/4	4	TA31ME-1.5x.75-PL-316L	TA31ME-1.5x.75-PM-316L
1 1/2 x 1	4	TA31ME-1.5x1-PL-316L	TA31ME-1.5x1-PM-316L
2 x 1	6	TA31ME-2x1-PL-316L	TA31ME-2x1-PM-316L
2 x 1 1/2	4	TA31ME-2x1.5-PL-316L	TA31ME-2x1.5-PM-316L
2 1/2 x 1 1/2	6	TA31ME-2.5x1.5-PL-316L	TA31ME-2.5x1.5-PM-316L
2 1/2 x 2	4 1/4	TA31ME-2.5x2-PL-316L	TA31ME-2.5x2-PM-316L
3 x 1 1/2	8	TA31ME-3x1.5-PL-316L	TA31ME-3x1.5-PM-316L
3 x 2	6 1/4	TA31ME-3x2-PL-316L	TA31ME-3x2-PM-316L
3 x 2 1/2	4 1/4	TA31ME-3x2.5-PL-316L	TA31ME-3x2.5-PM-316L
4 x 2	10 3/8	TA31ME-4x2-PL-316L	TA31ME-4x2-PM-316L
4 x 2 1/2	8 3/8	TA31ME-4x2.5-PL-316L	TA31ME-4x2.5-PM-316L
4 x 3	6 3/8	TA31ME-4x3-PL-316L	TA31ME-4x3-PM-316L

Need it customized? Contact us for a quote. Can be ordered in other material types.



Concentric Reducer Fitting



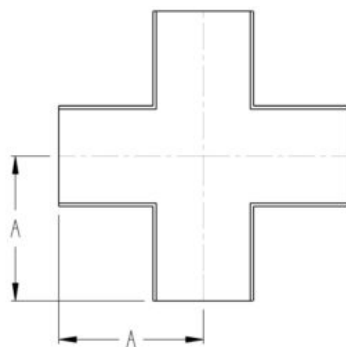
A31-14MP – Hygienic Clamp joint Concentric Reducer (lengths previous to BPE rev 2014)

SIZE TUBE O.D	A	SF1 / PL / 20 ra ID	SF4 / PM / 15 ra EP
3/4 x 1/2	2	A3114MP-.75x.5-PL-316L	A3114MP-.75x.5-PM-316L
1 x 1/2	2 1/2	A3114MP-1x.5-PL-316L	A3114MP-1x.5-PM-316L
1 x 3/4	2	A3114MP-1x.75-PL-316L	A3114MP-1x.75-PM-316L
1 1/2 x 1/2	3 1/2	A3114MP-1.5x.5-PL-316L	A3114MP-1.5x.5-PM-316L
1 1/2 x 3/4	3	A3114MP-1.5x.75-PL-316L	A3114MP-1.5x.75-PM-316L
1 1/2 x 1	3	A3114MP-1.5x1-PL-316L	A3114MP-1.5x1-PM-316L
2 x 1/2	5 1/2	A3114MP-2x.5-PL-316L	A3114MP-2x.5-PM-316L
2 x 3/4	5	A3114MP-2x.75-PL-316L	A3114MP-2x.75-PM-316L
2 x 1	5	A3114MP-2x1-PL-316L	A3114MP-2x1-PM-316L
2 x 1 1/2	3	A3114MP-2x1.5-PL-316L	A3114MP-2x1.5-PM-316L
2 1/2 x 2	3	A3114MP-2.5x2-PL-316L	A3114MP-2.5x2-PM-316L
3 x 1 1/2	7	A3114MP-3x1.5-PL-316L	A3114MP-3x1.5-PM-316L
3 x 2	5	A3114MP-3x2-PL-316L	A3114MP-3x2-PM-316L
3 x 2 1/2	3	A3114MP-3x2.5-PL-316L	A3114MP-3x2.5-PM-316L
4 x 1 1/2	11 1/8	A3114MP-4x1.5-PL-316L	A3114MP-4x1.5-PM-316L
4 x 2	9 1/8	A3114MP-4x2-PL-316L	A3114MP-4x2-PM-316L
4 x 2 1/2	7 1/8	A3114MP-4x2.5-PL-316L	A3114MP-4x2.5-PM-316L
4 x 3	5 1/8	A3114MP-4x3-PL-316L	A3114MP-4x3-PM-316L

Need it customized? Contact us for a quote. Can be ordered in other material types.



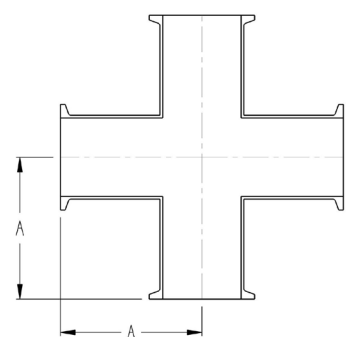
Crosses



TA9WWWW – Automatic Tube Weld Straight Cross per DT-4.1.2-1

SIZE	A	PL / SF1 / 20 ra T316L	PM / SF4 / 15 ra EP T316L
1/4	1.750	TA9WWWW-.25-PL-316L	TA9WWWW-.25-PM-316L
3/8	1.750	TA9WWWW-.375-PL-316L	TA9WWWW-.375-PM-316L
1/2	1.875	TA9WWWW-.5-PL-316L	TA9WWWW-.5-PM-316L
3/4	2.000	TA9WWWW-.75-PL-316L	TA9WWWW-.75-PM-316L
1	2.125	TA9WWWW-1-PL-316L	TA9WWWW-1-PM-316L
1 1/2	2.375	TA9WWWW-1.5-PL-316L	TA9WWWW-1.5-PM-316L
2	2.875	TA9WWWW-2-PL-316L	TA9WWWW-2-PM-316L
2 1/2	3.125	TA9WWWW-2.5-PL-316L	TA9WWWW-2.5-PM-316L
3	3.375	TA9WWWW-3-PL-316L	TA9WWWW-3-PM-316L
4	4.125	TA9WWWW-4-PL-316L	TA9WWWW-4-PM-316L
6	5.625	TA9WWWW-6-PL-316L	TA9WWWW-6-PM-316L

Need it customized? Contact us for a quote. Other cross configurations & material types are available on request.

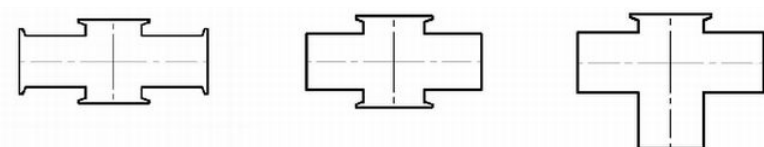


A9MP – Hygienic Clamp Joint Straight Cross per DT-4.1.2-4

SIZE	A	PL / SF1 / 20 ra T316L	PM / SF4 / 15 ra EP T316L
1/4	2.250	A9MP-.25-PL-316L	A9MP-.25-PM-316L
3/8	2.250	A9MP-.375-PL-316L	A9MP-.375-PM-316L
1/2	2.375	A9MP-.5-PL-316L	A9MP-.5-PM-316L
3/4	2.500	A9MP-.75-PL-316L	A9MP-.75-PM-316L
1	2.625	A9MP-1-PL-316L	A9MP-1-PM-316L
1 1/2	2.875	A9MP-1.5-PL-316L	A9MP-1.5-PM-316L
2	3.375	A9MP-2-PL-316L	A9MP-2-PM-316L
2 1/2	3.625	A9MP-2.5-PL-316L	A9MP-2.5-PM-316L
3	3.875	A9MP-3-PL-316L	A9MP-3-PM-316L
4	4.750	A9MP-4-PL-316L	A9MP-4-PM-316L
6	7.125	A9MP-6-PL-316L	A9MP-6-PM-316L

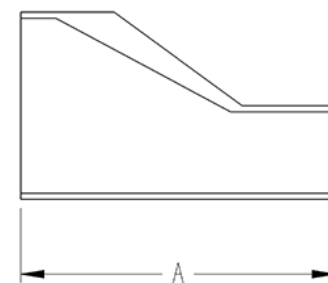
Need it customized? Contact us for a quote. Other cross configurations & material types are available on request.

Examples of Custom Crosses



Need it customized? Contact us for a quote. Other cross configurations & material types are available on request.

Eccentric Reducer

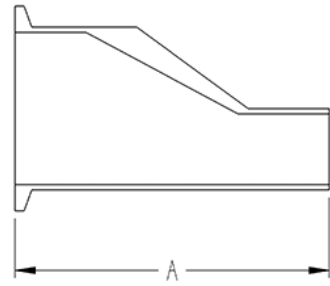


TA32ES – Automatic Tube Weld Eccentric Reducer per DT-4.1.3.1

SIZE	A	SF1 / PL / 20 ra ID	SF4 / PM / 15 ra EP
3/8 x 1/4	1.625	TA32ES-.375x.25-PL-316L	TA32ES-.375x.25-PM-316L
1/2 x 1/4	1.875	TA32ES-.5x.25-PL-316L	TA32ES-.5x.25-PM-316L
1/2 x 3/8	1.875	TA32ES-.5x.375-PL-316L	TA32ES-.5x.375-PM-316L
3/4 x 3/8	2.000	TA32ES-.75x.375-PL-316L	TA32ES-.75x.375-PM-316L
3/4 x 1/2	2.125	TA32ES-.75x.5-PL-316L	TA32ES-.75x.5-PM-316L
1 x 1/2	2.500	TA32ES-1x.5-PL-316L	TA32ES-1x.5-PM-316L
1 x 3/4	2.125	TA32ES-1x.75-PL-316L	TA32ES-1x.75-PM-316L
1 1/2 x 3/4	3.000	TA32ES-1.5x.75-PL-316L	TA32ES-1.5x.75-PM-316L
1 1/2 x 1	2.500	TA32ES-1.5x1-PL-316L	TA32ES-1.5x1-PM-316L
2 x 1	3.375	TA32ES-2x1-PL-316L	TA32ES-2x1-PM-316L
2 x 1 1/2	2.500	TA32ES-2x1.5-PL-316L	TA32ES-2x1.5-PM-316L
2 1/2 x 1 1/2	3.375	TA32ES-2.5x1.5-PL-316L	TA32ES-2.5x1.5-PM-316L
2 1/2 x 2	2.500	TA32ES-2.5x2-PL-316L	TA32ES-2.5x2-PM-316L
3 x 1 1/2	4.250	TA32ES-3x1.5-PL-316L	TA32ES-3x1.5-PM-316L
3 x 2	3.375	TA32ES-3x2-PL-316L	TA32ES-3x2-PM-316L
3 x 2 1/2	2.625	TA32ES-3x2.5-PL-316L	TA32ES-3x2.5-PM-316L
4 x 2	5.125	TA32ES-4x2-PL-316L	TA32ES-4x2-PM-316L
4 x 2 1/2	4.250	TA32ES-4x2.5-PL-316L	TA32ES-4x2.5-PM-316L
4 x 3	3.875	TA32ES-4x3-PL-316L	TA32ES-4x3-PM-316L
6 x 3	7.250	TA32ES-6x3-PL-316L	TA32ES-6x3-PM-316L
6 x 4	5.625	TA32ES-6x4-PL-316L	TA32ES-6x4-PM-316L

Need it customized? Contact us for a quote. Can be ordered in other material types.

Eccentric Reducer



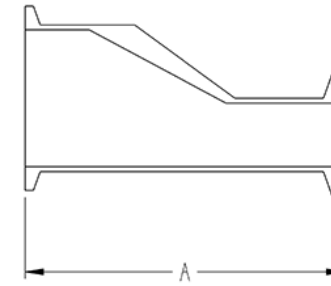
**TA32MES – Hygienic Clamp Joint x Automatic Tube Weld
Eccentric Reducer per DT-4.1.3.2**

SIZE	A	SF1 / PL / 20 ra ID	SF4 / PM / 15 ra EP
3/8 x 1/4	2.125	TA32MES-.375x.25-PL-316L	TA32MES-.375x.25-PM-316L
1/2 x 1/4	2.375	TA32MES-.5x.25-PL-316L	TA32MES-.5x.25-PM-316L
1/2 x 3/8	2.375	TA32MES-.5x.375-PL-316L	TA32MES-.5x.375-PM-316L
3/4 x 3/8	2.500	TA32MES-.75x.375-PL-316L	TA32MES-.75x.375-PM-316L
3/4 x 1/2	2.625	TA32MES-.75x.5-PL-316L	TA32MES-.75x.5-PM-316L
1 x 1/2	3.000	TA32MES-1x.5-PL-316L	TA32MES-1x.5-PM-316L
1 x 3/4	2.625	TA32MES-1x.75-PL-316L	TA32MES-1x.75-PM-316L
1 1/2 x 3/4	3.500	TA32MES-1.5x.75-PL-316L	TA32MES-1.5x.75-PM-316L
1 1/2 x 1	3.000	TA32MES-1.5x1-PL-316L	TA32MES-1.5x1-PM-316L
2 x 1	3.875	TA32MES-2x1-PL-316L	TA32MES-2x1-PM-316L
2 x 1 1/2	3.000	TA32MES-2x1.5-PL-316L	TA32MES-2x1.5-PM-316L
2 1/2 x 1 1/2	3.875	TA32MES-2.5x1.5-PL-316L	TA32MES-2.5x1.5-PM-316L
2 1/2 x 2	3.000	TA32MES-2.5x2-PL-316L	TA32MES-2.5x2-PM-316L
3 x 1 1/2	4.750	TA32MES-3x1.5-PL-316L	TA32MES-3x1.5-PM-316L
3 x 2	3.875	TA32MES-3x2-PL-316L	TA32MES-3x2-PM-316L
3 x 2 1/2	3.125	TA32MES-3x2.5-PL-316L	TA32MES-3x2.5-PM-316L
4 x 2	5.750	TA32MES-4x2-PL-316L	TA32MES-4x2-PM-316L
4 x 2 1/2	4.875	TA32MES-4x2.5-PL-316L	TA32MES-4x2.5-PM-316L
4 x 3	4.500	TA32MES-4x3-PL-316L	TA32MES-4x3-PM-316L
6 x 3	8.000	TA32MES-6x3-PL-316L	TA32MES-6x3-PM-316L
6 x 4	6.375	TA32MES-6x4-PL-316L	TA32MES-6x4-PM-316L

Need it customized? Contact us for a quote. Can be ordered in other material types.



Eccentric Reducer



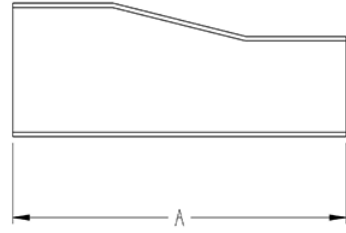
A32-14MPS – Hygienic Clamp Joint Eccentric Reducer per DT-4.1.3.3

SIZE	A	SF1 / PL / 20 ra ID	SF4 / PM / 15 ra EP
3/8 x 1/4	2.625	A3214MPS-.375x.25-PL-316L	A3214MPS-.375x.25-PM-316L
1/2 x 1/4	2.875	A3214MPS-.5x.25-PL-316L	A3214MPS-.5x.25-PM-316L
1/2 x 3/8	2.875	A3214MPS-.5x.375-PL-316L	A3214MPS-.5x.375-PM-316L
3/4 x 3/8	3.000	A3214MPS-.75x.375-PL-316L	A3214MPS-.75x.375-PM-316L
3/4 x 1/2	3.125	A3214MPS-.75x.5-PL-316L	A3214MPS-.75x.5-PM-316L
1 x 1/2	3.500	A3214MPS-1x.5-PL-316L	A3214MPS-1x.5-PM-316L
1 x 3/4	3.125	A3214MPS-1x.75-PL-316L	A3214MPS-1x.75-PM-316L
1 1/2 x 3/4	4.000	A3214MPS-1.5x.75-PL-316L	A3214MPS-1.5x.75-PM-316L
1 1/2 x 1	3.500	A3214MPS-1.5x1-PL-316L	A3214MPS-1.5x1-PM-316L
2 x 1	4.375	A3214MPS-2x1-PL-316L	A3214MPS-2x1-PM-316L
2 x 1 1/2	3.500	A3214MPS-2x1.5-PL-316L	A3214MPS-2x1.5-PM-316L
2 1/2 x 1 1/2	4.375	A3214MPS-2.5x1.5-PL-316L	A3214MPS-2.5x1.5-PM-316L
2 1/2 x 2	3.500	A3214MPS-2.5x2-PL-316L	A3214MPS-2.5x2-PM-316L
3 x 1 1/2	5.250	A3214MPS-3x1.5-PL-316L	A3214MPS-3x1.5-PM-316L
3 x 2	4.375	A3214MPS-3x2-PL-316L	A3214MPS-3x2-PM-316L
3 x 2 1/2	3.625	A3214MPS-3x2.5-PL-316L	A3214MPS-3x2.5-PM-316L
4 x 2	6.250	A3214MPS-4x2-PL-316L	A3214MPS-4x2-PM-316L
4 x 2 1/2	5.375	A3214MPS-4x2.5-PL-316L	A3214MPS-4x2.5-PM-316L
4 x 3	5.000	A3214MPS-4x3-PL-316L	A3214MPS-4x3-PM-316L
6 x 3	8.500	A3214MPS-6x3-PL-316L	A3214MPS-6x3-PM-316L
6 x 4	7.000	A3214MPS-6x4-PL-316L	A3214MPS-6x4-PM-316L

Need it customized? Contact us for a quote. Can be ordered in other material types.



Eccentric Reducer

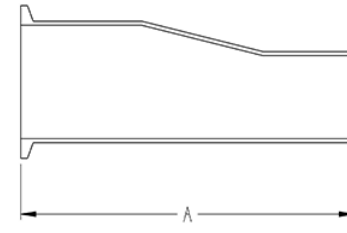


TA32E – Automatic Tube Weld Eccentric Reducer per DT-4.1.3.1
(lengths prior to BPE rev 2014)

SIZE	A	SF1 / PL / 20 ra ID	SF4 / PM / 15 ra EP
3/4 x 1/2	4.000	TA32E-.75x.5-PL-316L	TA32E-.75x.5-PM-316L
1 x 1/2	4.500	TA32E-1x.5-PL-316L	TA32E-1x.5-PM-316L
1 x 3/4	4.000	TA32E-1x.75-PL-316L	TA32E-1x.75-PM-316L
1 1/2 x 3/4	5.000	TA32E-1.5x.75-PL-316L	TA32E-1.5x.75-PM-316L
1 1/2 x 1	5.000	TA32E-1.5x1-PL-316L	TA32E-1.5x1-PM-316L
2 x 1	7.250	TA32E-2x1-PL-316L	TA32E-2x1-PM-316L
2 x 1 1/2	5.250	TA32E-2x1.5-PL-316L	TA32E-2x1.5-PM-316L
2 1/2 x 1 1/2	7.250	TA32E-2.5x1.5-PL-316L	TA32E-2.5x1.5-PM-316L
2 1/2 x 2	5.500	TA32E-2.5x2-PL-316L	TA32E-2.5x2-PM-316L
3 x 1 1/2	9.250	TA32E-3x1.5-PL-316L	TA32E-3x1.5-PM-316L
3 x 2	7.500	TA32E-3x2-PL-316L	TA32E-3x2-PM-316L
3 x 2 1/2	5.500	TA32E-3x2.5-PL-316L	TA32E-3x2.5-PM-316L
4 x 2	11.750	TA32E-4x2-PL-316L	TA32E-4x2-PM-316L
4 x 2 1/2	9.750	TA32E-4x2.5-PL-316L	TA32E-4x2.5-PM-316L
4 x 3	7.750	TA32E-4x3-PL-316L	TA32E-4x3-PM-316L
6 x 3	9.750	TA32E-6x3-PL-316L	TA32E-6x3-PM-316L
6 x 4	10.000	TA32E-6x4-PL-316L	TA32E-6x4-PM-316L

Need it customized? Contact us for a quote. Can be ordered in other material types.

Eccentric Reducer

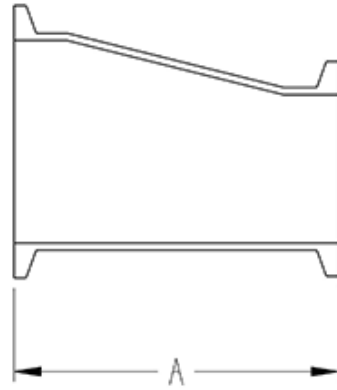


TA32ME – Hygienic Clamp Joint x Automatic Tube Weld Eccentric Reducer
(lengths prior to BPE rev 2014)

SIZE	A	SF1 / PL / 20 ra ID	SF4 / PM / 15 ra EP
3/8 x 1/4	2.125	TA32ME-.375x.25-PL-316L	TA32ME-.375x.25-PM-316L
1/2 x 1/4	2.375	TA32ME-.5x.25-PL-316L	TA32ME-.5x.25-PM-316L
1/2 x 3/8	2.375	TA32ME-.5x.375-PL-316L	TA32ME-.5x.375-PM-316L
3/4 x 3/8	2.500	TA32ME-.75x.375-PL-316L	TA32ME-.75x.375-PM-316L
3/4 x 1/2	2.625	TA32ME-.75x.5-PL-316L	TA32ME-.75x.5-PM-316L
1 x 1/2	3.000	TA32ME-1x.5-PL-316L	TA32ME-1x.5-PM-316L
1 x 3/4	2.625	TA32ME-1x.75-PL-316L	TA32ME-1x.75-PM-316L
1 1/2 x 3/4	3.500	TA32ME-1.5x.75-PL-316L	TA32ME-1.5x.75-PM-316L
1 1/2 x 1	3.000	TA32ME-1.5x1-PL-316L	TA32ME-1.5x1-PM-316L
2 x 1	3.875	TA32ME-2x1-PL-316L	TA32ME-2x1-PM-316L
2 x 1 1/2	3.000	TA32ME-2x1.5-PL-316L	TA32ME-2x1.5-PM-316L
2 1/2 x 1 1/2	3.875	TA32ME-2.5x1.5-PL-316L	TA32ME-2.5x1.5-PM-316L
2 1/2 x 2	3.000	TA32ME-2.5x2-PL-316L	TA32ME-2.5x2-PM-316L
3 x 1 1/2	4.750	TA32ME-3x1.5-PL-316L	TA32ME-3x1.5-PM-316L
3 x 2	3.875	TA32ME-3x2-PL-316L	TA32ME-3x2-PM-316L
3 x 2 1/2	3.125	TA32ME-3x2.5-PL-316L	TA32ME-3x2.5-PM-316L
4 x 2	5.750	TA32ME-4x2-PL-316L	TA32ME-4x2-PM-316L
4 x 2 1/2	4.875	TA32ME-4x2.5-PL-316L	TA32ME-4x2.5-PM-316L
4 x 3	4.500	TA32ME-4x3-PL-316L	TA32ME-4x3-PM-316L
6 x 3	8.000	TA32ME-6x3-PL-316L	TA32ME-6x3-PM-316L
6 x 4	6.375	TA32ME-6x4-PL-316L	TA32ME-6x4-PM-316L

Need it customized? Contact us for a quote. Can be ordered in other material types.

Eccentric Reducer

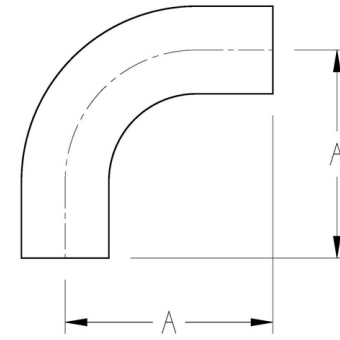


A32-14MP – Hygienic Clamp Joint Eccentric Reducer
(lengths prior to BPE rev 2014)

SIZE	A	SF1 / PL / 20 ra ID	SF4 / PM / 15 ra EP
3/8 x 1/4	2.625	A3214MP-.375x.25-PL-316L	A3214MP-.375x.25-PM-316L
1/2 x 1/4	2.875	A3214MP-.5x.25-PL-316L	A3214MP-.5x.25-PM-316L
1/2 x 3/8	2.875	A3214MP-.5x.375-PL-316L	A3214MP-.5x.375-PM-316L
3/4 x 3/8	3.000	A3214MP-.75x.375-PL-316L	A3214MP-.75x.375-PM-316L
3/4 x 1/2	3.125	A3214MP-.75x.5-PL-316L	A3214MP-.75x.5-PM-316L
1 x 1/2	3.500	A3214MP-1x.5-PL-316L	A3214MP-1x.5-PM-316L
1 x 3/4	3.125	A3214MP-1x.75-PL-316L	A3214MP-1x.75-PM-316L
1 1/2 x 3/4	4.000	A3214MP-1.5x.75-PL-316L	A3214MP-1.5x.75-PM-316L
1 1/2 x 1	3.500	A3214MP-1.5x1-PL-316L	A3214MP-1.5x1-PM-316L
2 x 1	4.375	A3214MP-2x1-PL-316L	A3214MP-2x1-PM-316L
2 x 1 1/2	3.500	A3214MP-2x1.5-PL-316L	A3214MP-2x1.5-PM-316L
2 1/2 x 1 1/2	4.375	A3214MP-2.5x1.5-PL-316L	A3214MP-2.5x1.5-PM-316L
2 1/2 x 2	3.500	A3214MP-2.5x2-PL-316L	A3214MP-2.5x2-PM-316L
3 x 1 1/2	5.250	A3214MP-3x1.5-PL-316L	A3214MP-3x1.5-PM-316L
3 x 2	4.375	A3214MP-3x2-PL-316L	A3214MP-3x2-PM-316L
3 x 2 1/2	3.625	A3214MP-3x2.5-PL-316L	A3214MP-3x2.5-PM-316L
4 x 2	6.250	A3214MP-4x2-PL-316L	A3214MP-4x2-PM-316L
4 x 2 1/2	5.375	A3214MP-4x2.5-PL-316L	A3214MP-4x2.5-PM-316L
4 x 3	5.000	A3214MP-4x3-PL-316L	A3214MP-4x3-PM-316L
6 x 3	7.500	A3214MP-6x3-PL-316L	A3214MP-6x3-PM-316L
6 x 4	7.000	A3214MP-6x4-PL-316L	A3214MP-6x4-PM-316L

Need it customized? Contact us for a quote. Can be ordered in other material types.

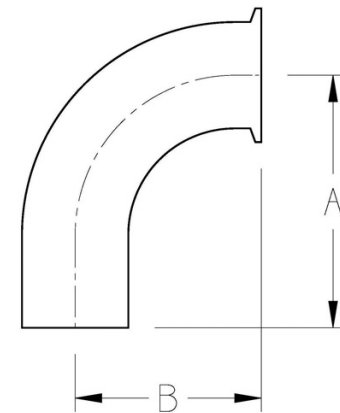
Elbows



TA2S – Automatic Tube Weld 90 Deg Elbow per DT-4.1.1-1

SIZE	A	PL / SF1 / 20 ra	PM / SF4 / 15 ra EP
1/4	2.625	TA2S-.25-PL-316L	TA2S-.25-PM-316L
3/8	2.625	TA2S-.375-PL-316L	TA2S-.375-PM-316L
1/2	3.000	TA2S-.5-PL-316L	TA2S-.5-PM-316L
3/4	3.000	TA2S-.75-PL-316L	TA2S-.75-PM-316L
1	3.000	TA2S-1-PL-316L	TA2S-1-PM-316L
1 1/2	3.750	TA2S-1.5-PL-316L	TA2S-1.5-PM-316L
2	4.750	TA2S-2-PL-316L	TA2S-2-PM-316L
2 1/2	5.500	TA2S-2.5-PL-316L	TA2S-2.5-PM-316L
3	6.250	TA2S-3-PL-316L	TA2S-3-PM-316L
4	8.000	TA2S-4-PL-316L	TA2S-4-PM-316L
6	11.500	TA2S-6-PL-316L	TA2S-6-PM-316L

Need it customized? Contact us for a quote. Other angles and material types available on request.

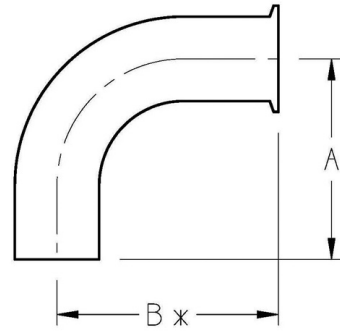


TA2CMS – Automatic Tube Weld x Short Hygienic Clamp Joint 90 Deg Elbow per DT-4.1.1-2

SIZE	A	B	PL / SF1 / 20 ra	PM / SF4 / 15 ra EP
1/4	2.625	1.625	TA2CMS-.25-PL-316L	TA2CMS-.25-PM-316L
3/8	2.625	1.625	TA2CMS-.375-PL-316L	TA2CMS-.375-PM-316L
1/2	3.000	1.625	TA2CMS-.5-PL-316L	TA2CMS-.5-PM-316L
3/4	3.000	1.625	TA2CMS-.75-PL-316L	TA2CMS-.75-PM-316L
1	3.000	2.000	TA2CMS-1-PL-316L	TA2CMS-1-PM-316L
1 1/2	3.750	2.750	TA2CMS-1.5-PL-316L	TA2CMS-1.5-PM-316L
2	4.750	3.500	TA2CMS-2-PL-316L	TA2CMS-2-PM-316L
2 1/2	5.500	4.250	TA2CMS-2.5-PL-316L	TA2CMS-2.5-PM-316L
3	6.250	5.000	TA2CMS-3-PL-316L	TA2CMS-3-PM-316L
4	8.000	6.625	TA2CMS-4-PL-316L	TA2CMS-4-PM-316L
6	11.500	10.500	TA2CMS-6-PL-316L	TA2CMS-6-PM-316L

Need it customized? Contact us for a quote. Other angles and material types available on request.

Elbows

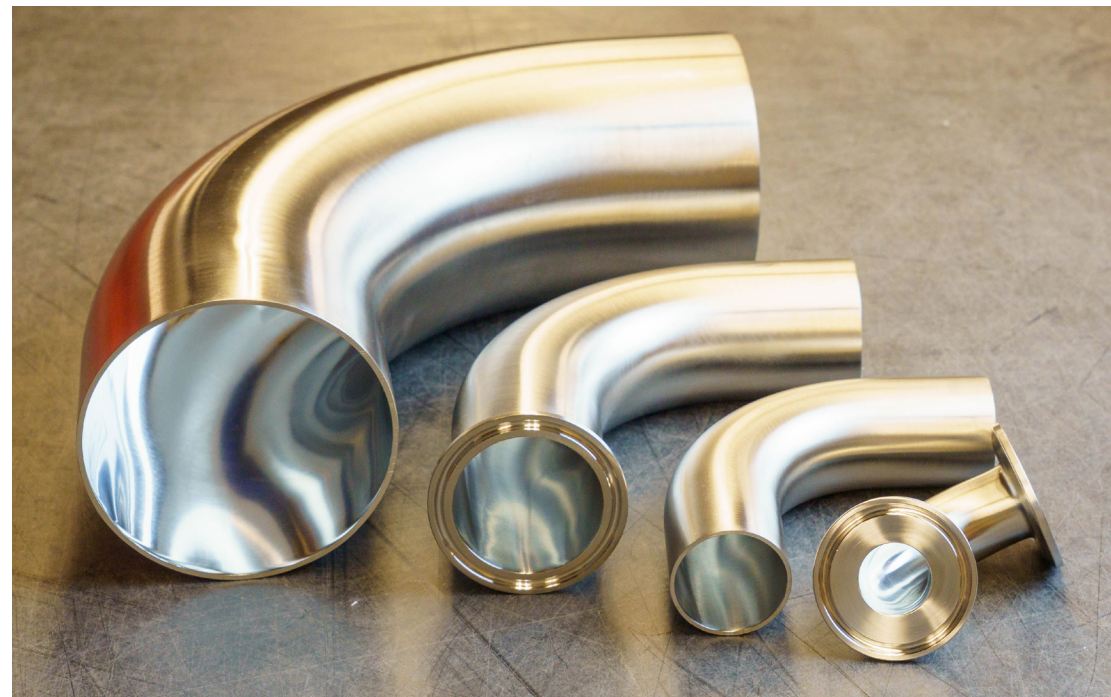


TA2CM – Automatic Tube Weld x Long Hygienic Clamp Joint 90 Deg Elbow

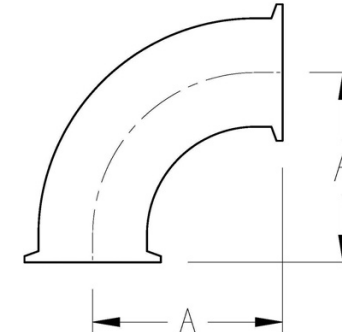
SIZE	A	B	PL / SF1 / 20 ra	PM / SF4 / 15 ra EP
1/4	2.625	3.125	TA2CM-.25-PL-316L	TA2CM-.25-PM-316L
3/8	2.625	3.125	TA2CM-.375-PL-316L	TA2CM-.375-PM-316L
1/2	3.000	3.500	TA2CM-.5-PL-316L	TA2CM-.5-PM-316L
3/4	3.000	3.500	TA2CM-.75-PL-316L	TA2CM-.75-PM-316L
1	3.000	3.500	TA2CM-1-PL-316L	TA2CM-1-PM-316L
1 1/2	3.750	4.250	TA2CM-1.5-PL-316L	TA2CM-1.5-PM-316L
2	4.750	5.250	TA2CM-2-PL-316L	TA2CM-2-PM-316L
2 1/2	5.500	6.000	TA2CM-2.5-PL-316L	TA2CM-2.5-PM-316L
3	6.250	6.750	TA2CM-3-PL-316L	TA2CM-3-PM-316L
4	8.000	8.625	TA2CM-4-PL-316L	TA2CM-4-PM-316L
6	11.500	12.375	TA2CM-6-PL-316L	TA2CM-6-PM-316L

*Clamp End (B) Not to BPE Dimensions

Need it customized? Contact us for a quote. Other angles and material types available on request.



Elbows



A2CMP – Hygienic Clamp Joint 90 Deg Elbow per DT-4.1.1-3

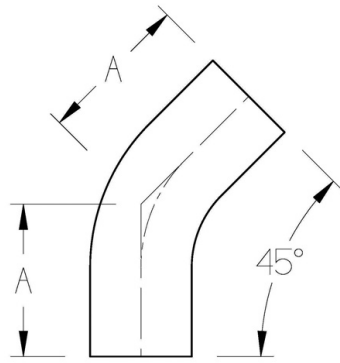
SIZE	A	PL / SF1 / 20 ra	PM / SF4 / 15 ra EP
**1/4	1.625	A2CMPS-.25-PL-316L	A2CMPS-.25-PM-316L
**3/8	1.625	A2CMPS-.375-PL-316L	A2CMPS-.375-PM-316L
**1/2	1.625	A2CMPS-.5-PL-316L	A2CMPS-.5-PM-316L
**3/4	1.625	A2CMPS-.75-PL-316L	A2CMPS-.75-PM-316L
1	2.000	A2CMP-1-PL-316L	A2CMP-1-PM-316L
1 1/2	2.750	A2CMP-1.5-PL-316L	A2CMP-1.5-PM-316L
2	3.500	A2CMP-2-PL-316L	A2CMP-2-PM-316L
2 1/2	4.250	A2CMP-2.5-PL-316L	A2CMP-2.5-PM-316L
3	5.000	A2CMP-3-PL-316L	A2CMP-3-PM-316L
4	6.625	A2CMP-4-PL-316L	A2CMP-4-PM-316L
6	10.500	A2CMP-6-PL-316L	A2CMP-6-PM-316L
*1/4	3.125	A2CMP-.25-PL-316L	A2CMP-.25-PM-316L
*3/8	3.125	A2CMP-.375-PL-316L	A2CMP-.375-PM-316L
*1/2	3.500	A2CMP-.5-PL-316L	A2CMP-.5-PM-316L
*3/4	3.500	A2CMP-.75-PL-316L	A2CMP-.75-PM-316L

*(A) Dimension Not To BPE. **Model Number A2CMPS

Need it customized? Contact us for a quote. Other angles and material types available on request.



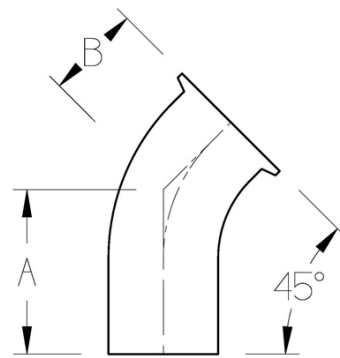
Elbows



TA2KS – Automatic Tube Weld 45 Deg Elbow per DT-4.1.1-4

SIZE	A	PL / SF1 / 20 ra	PM / SF4 / 15 ra EP
1/4	2.000	TA2KS-.25-PL-316L	TA2KS-.25-PM-316L
3/8	2.000	TA2KS-.375-PL-316L	TA2KS-.375-PM-316L
1/2	2.250	TA2KS-.5-PL-316L	TA2KS-.5-PM-316L
3/4	2.250	TA2KS-.75-PL-316L	TA2KS-.75-PM-316L
1	2.250	TA2KS-1-PL-316L	TA2KS-1-PM-316L
1 1/2	2.500	TA2KS-1.5-PL-316L	TA2KS-1.5-PM-316L
2	3.000	TA2KS-2-PL-316L	TA2KS-2-PM-316L
2 1/2	3.375	TA2KS-2.5-PL-316L	TA2KS-2.5-PM-316L
3	3.625	TA2KS-3-PL-316L	TA2KS-3-PM-316L
4	4.500	TA2KS-4-PL-316L	TA2KS-4-PM-316L
6	6.250	TA2KS-6-PL-316L	TA2KS-6-PM-316L

Need it customized? Contact us for a quote. Other angles and material types available on request.

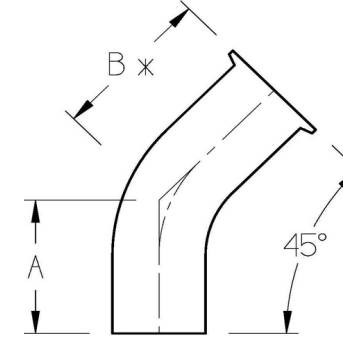


TA2KMS – Automatic Tube Weld x Short Hygienic Clamp Joint 45 Deg Elbow per DT-4.1.1-5

SIZE	A	B	PL / SF1 / 20 ra	PM / SF4 / 15 ra EP
1/4	2.000	1.000	TA2KMS-.25-PL-316L	TA2KMS-.25-PM-316L
3/8	2.000	1.000	TA2KMS-.375-PL-316L	TA2KMS-.375-PM-316L
1/2	2.250	1.000	TA2KMS-.5-PL-316L	TA2KMS-.5-PM-316L
3/4	2.250	1.000	TA2KMS-.75-PL-316L	TA2KMS-.75-PM-316L
1	2.250	1.125	TA2KMS-1-PL-316L	TA2KMS-1-PM-316L
1 1/2	2.500	1.438	TA2KMS-1.5-PL-316L	TA2KMS-1.5-PM-316L
2	3.00	1.750	TA2KMS-2-PL-316L	TA2KMS-2-PM-316L
2 1/2	3.375	2.063	TA2KMS-2.5-PL-316L	TA2KMS-2.5-PM-316L
3	3.625	2.375	TA2KMS-3-PL-316L	TA2KMS-3-PM-316L
4	4.500	3.125	TA2KMS-4-PL-316L	TA2KMS-4-PM-316L
6	6.250	5.250	TA2KMS-6-PL-316L	TA2KMS-6-PM-316L

Need it customized? Contact us for a quote. Other angles and material types available on request.

Elbows



TA2KM – Automatic Tube Weld x Long Hygienic Clamp Joint 45 Deg Elbow

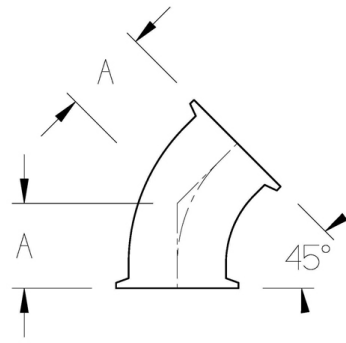
SIZE	A	B	PL / SF1 / 20 ra	PM / SF4 / 15 ra EP
1/4	2.00	2.50	TA2KM-.25-PL-316L	TA2KM-.25-PM-316L
3/8	2.00	2.50	TA2KM-.375-PL-316L	TA2KM-.375-PM-316L
1/2	2.250	2.750	TA2KM-.5-PL-316L	TA2KM-.5-PM-316L
3/4	2.250	2.750	TA2KM-.75-PL-316L	TA2KM-.75-PM-316L
1	2.250	2.750	TA2KM-1-PL-316L	TA2KM-1-PM-316L
1 1/2	2.500	3.000	TA2KM-1.5-PL-316L	TA2KM-1.5-PM-316L
2	3.00	3.500	TA2KM-2-PL-316L	TA2KM-2-PM-316L
2 1/2	3.375	3.875	TA2KM-2.5-PL-316L	TA2KM-2.5-PM-316L
3	3.625	4.125	TA2KM-3-PL-316L	TA2KM-3-PM-316L
4	4.500	5.125	TA2KM-4-PL-316L	TA2KM-4-PM-316L
6	6.250	7.125	TA2KM-6-PL-316L	TA2KM-6-PM-316L

*Clamp End (B) Not To BPE

Need it customized? Contact us for a quote. Other angles and material types available on request.



Elbows

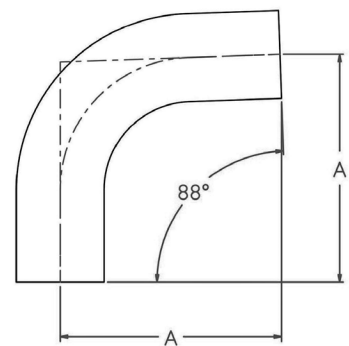


A2KMP – Hygienic Clamp Joint 45 Deg Elbow per DT-4.1.1-6

SIZE	A	PL / SF1 / 20 ra	PM / SF4 / 15 ra EP
**1/4	1.000	A2KMPS-.25-PL-316L	A2KMPS-.25-PM-316L
**3/8	1.000	A2KMPS-.375-PL-316L	A2KMPS-.375-PM-316L
**1/2	1.000	A2KMPS-.5-PL-316L	A2KMPS-.5-PM-316L
**3/4	1.000	A2KMPS-.75-PL-316L	A2KMPS-.75-PM-316L
1	1.125	A2KMP-1-PL-316L	A2KMP-1-PM-316L
1 1/2	1.438	A2KMP-1.5-PL-316L	A2KMP-1.5-PM-316L
2	1.750	A2KMP-2-PL-316L	A2KMP-2-PM-316L
2 1/2	2.063	A2KMP-2.5-PL-316L	A2KMP-2.5-PM-316L
3	2.375	A2KMP-3-PL-316L	A2KMP-3-PM-316L
4	3.125	A2KMP-4-PL-316L	A2KMP-4-PM-316L
6	5.250	A2KMP-6-PL-316L	A2KMP-6-PM-316L
*1/4	2.750	A2KMP-.25-PL-316L	A2KMP-.25-PM-316L
*3/8	2.750	A2KMP-.375-PL-316L	A2KMP-.375-PM-316L
*1/2	3.500	A2KMP-.5-PL-316L	A2KMP-.5-PM-316L
*3/4	3.500	A2KMP-.75-PL-316L	A2KMP-.75-PM-316L

*(A) Dimension Not To BPE. **Model Number A2KMPS

Need it customized? Contact us for a quote. Other angles and material types available on request.

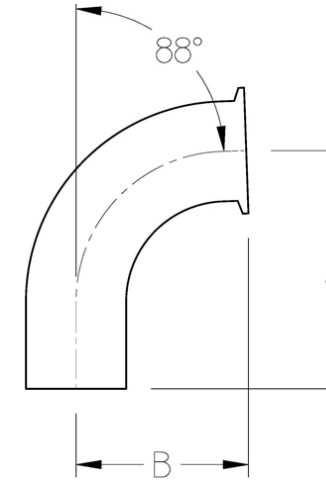


TA88S – Automatic Tube Weld 88 Deg Elbow

SIZE	A	PL / SF1 / 20 ra	PM / SF4 / 15 ra EP
1/4	2.700	TA88S-.25-PL-316L	TA88S-.25-PM-316L
3/8	2.700	TA88S-.375-PL-316L	TA88S-.375-PM-316L
1/2	3.065	TA88S-.5-PL-316L	TA88S-.5-PM-316L
3/4	3.065	TA88S-.75-PL-316L	TA88S-.75-PM-316L
1	3.050	TA88S-1-PL-316L	TA88S-1-PM-316L
1 1/2	3.800	TA88S-1.5-PL-316L	TA88S-1.5-PM-316L
2	4.810	TA88S-2-PL-316L	TA88S-2-PM-316L
2 1/2	5.560	TA88S-2.5-PL-316L	TA88S-2.5-PM-316L
3	6.310	TA88S-3-PL-316L	TA88S-3-PM-316L
4	8.065	TA88S-4-PL-316L	TA88S-4-PM-316L
6	11.580	TA88S-6-PL-316L	TA88S-6-PM-316L

Need it customized? Contact us for a quote. Other angles and material types available on request.

Elbows

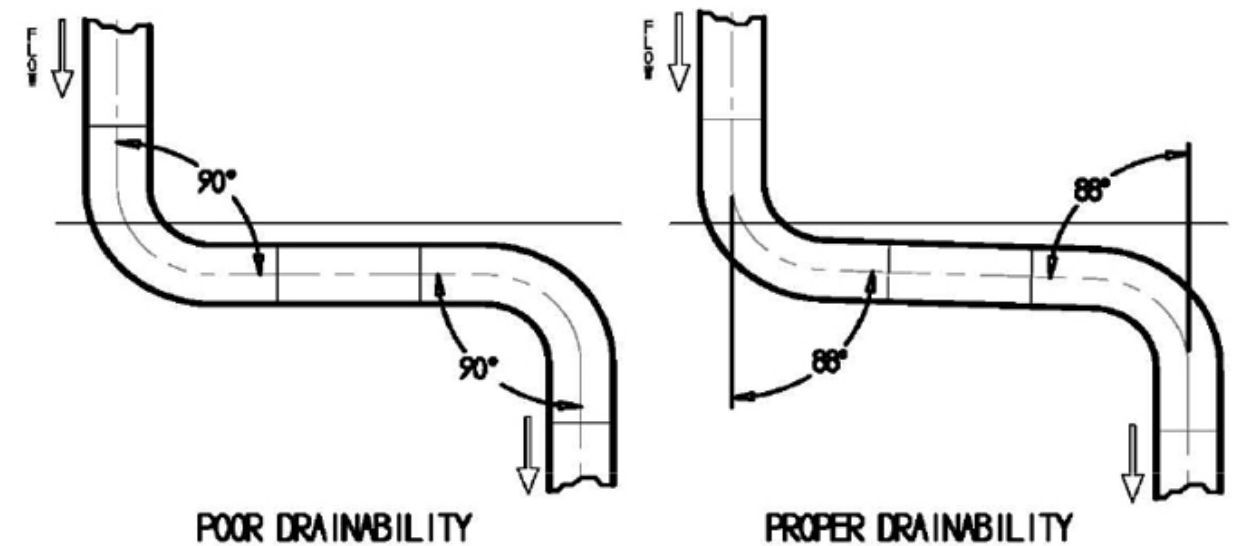


TA88CMS – Automatic Tube Weld x Short Hygienic Clamp Joint 88 Deg Elbow

SIZE	A	B	PL / SF1 / 20 ra	PM / SF4 / 15 ra EP
1/4	3.010	1.600	TA88CMS-.25-PL-316L	TA88CMS-.25-PM-316L
3/8	3.010	1.600	TA88CMS-.375-PL-316L	TA88CMS-.375-PM-316L
1/2	3.010	1.600	TA88CMS-.5-PL-316L	TA88CMS-.5-PM-316L
3/4	3.010	1.600	TA88CMS-.75-PL-316L	TA88CMS-.75-PM-316L
1	3.010	1.600	TA88CMS-1-PL-316L	TA88CMS-1-PM-316L
1 1/2	3.760	2.700	TA88CMS-1.5-PL-316L	TA88CMS-1.5-PM-316L
2	4.510	3.430	TA88CMS-2-PL-316L	TA88CMS-2-PM-316L
2 1/2	5.510	4.170	TA88CMS-2.5-PL-316L	TA88CMS-2.5-PM-316L
3	6.260	4.900	TA88CMS-3-PL-316L	TA88CMS-3-PM-316L
4	8.010	6.490	TA88CMS-4-PL-316L	TA88CMS-4-PM-316L
6	11.540	10.300	TA88CMS-6-PL-316L	TA88CMS-6-PM-316L

Need it customized? Contact us for a quote. Other angles and material types available on request.

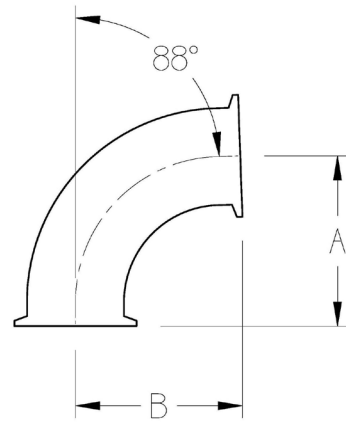
88 and 92 degree Elbows



Need it customized? Contact us for a quote. Other angles available on request.

Elbows

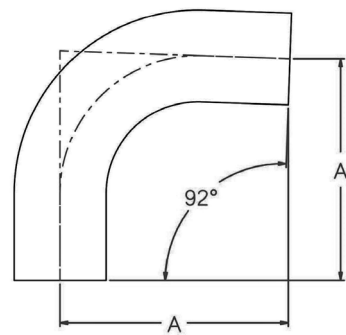
A88CMP – Hygienic Clamp Joint 88 Deg Elbow



SIZE	A	B	PL / SF1 / 20 ra	PM / SF4 / 15 ra EP
1/4	1.640	1.600	A88CMP-.25-PL-316L	A88CMP-.25-PM-316L
3/8	1.640	1.600	A88CMP-.375-PL-316L	A88CMP-.375-PM-316L
1/2	1.640	1.600	A88CMP-.5-PL-316L	A88CMP-.5-PM-316L
3/4	1.640	1.600	A88CMP-.75-PL-316L	A88CMP-.75-PM-316L
1	2.010	1.960	A88CMP-1-PL-316L	A88CMP-1-PM-316L
1 1/2	2.760	2.700	A88CMP-1.5-PL-316L	A88CMP-1.5-PM-316L
2	3.510	3.430	A88CMP-2-PL-316L	A88CMP-2-PM-316L
2 1/2	4.260	4.170	A88CMP-2.5-PL-316L	A88CMP-2.5-PM-316L
3	5.010	4.900	A88CMP-3-PL-316L	A88CMP-3-PM-316L
4	6.640	6.490	A88CMP-4-PL-316L	A88CMP-4-PM-316L
6	10.540	10.300	A88CMP-6-PL-316L	A88CMP-6-PM-316L

Need it customized? Contact us for a quote. Other angles and material types available on request.

TA92S – Automatic Tube Weld 92 Deg Elbow

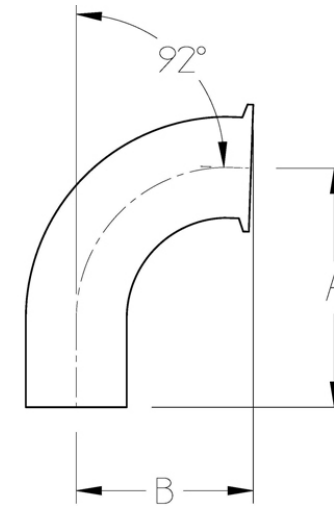


SIZE	A	PL / SF1 / 20 ra	PM / SF4 / 15 ra EP
1/4	2.530	TA92S-.25-PL-316L	TA92S-.25-PM-316L
3/8	2.530	TA92S-.375-PL-316L	TA92S-.375-PM-316L
1/2	2.930	TA92S-.5-PL-316L	TA92S-.5-PM-316L
3/4	2.930	TA92S-.75-PL-316L	TA92S-.75-PM-316L
1	2.950	TA92S-1-PL-316L	TA92S-1-PM-316L
1 1/2	3.690	TA92S-1.5-PL-316L	TA92S-1.5-PM-316L
2	4.690	TA92S-2-PL-316L	TA92S-2-PM-316L
2 1/2	5.440	TA92S-2.5-PL-316L	TA92S-2.5-PM-316L
3	6.190	TA92S-3-PL-316L	TA92S-3-PM-316L
4	7.930	TA92S-4-PL-316L	TA92S-4-PM-316L
6	11.410	TA92S-6-PL-316L	TA92S-6-PM-316L

Need it customized? Contact us for a quote. Other angles and material types available on request.

Elbows

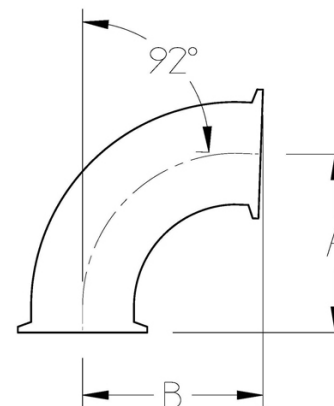
TA92CMS – Automatic Tube Weld x Short Hygienic Clamp Joint 92 Deg Elbow



SIZE	A	B	PL / SF1 / 20 ra	PM / SF4 / 15 ra EP
1/4	2.950	1.650	TA92CMS-.25-PL-316L	TA92CMS-.25-PM-316L
3/8	2.950	1.650	TA92CMS-.375-PL-316L	TA92CMS-.375-PM-316L
1/2	2.950	1.650	TA92CMS-.5-PL-316L	TA92CMS-.5-PM-316L
3/4	2.950	1.650	TA92CMS-.75-PL-316L	TA92CMS-.75-PM-316L
1	2.960	2.060	TA92CMS-1-PL-316L	TA92CMS-1-PM-316L
1 1/2	3.680	2.810	TA92CMS-1.5-PL-316L	TA92CMS-1.5-PM-316L
2	4.770	3.500	TA92CMS-2-PL-316L	TA92CMS-2-PM-316L
2 1/2	5.390	4.340	TA92CMS-2.5-PL-316L	TA92CMS-2.5-PM-316L
3	6.120	5.140	TA92CMS-3-PL-316L	TA92CMS-3-PM-316L
4	7.830	6.770	TA92CMS-4-PL-316L	TA92CMS-4-PM-316L
6	11.230	10.710	TA92CMS-6-PL-316L	TA92CMS-6-PM-316L

Need it customized? Contact us for a quote. Other angles and material types available on request.

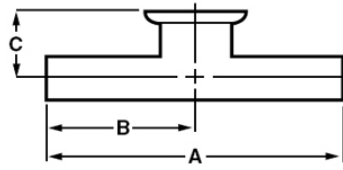
A92CMP – Hygienic Clamp Joint 92 Deg Elbow



SIZE	A	B	PL / SF1 / 20 ra	PM / SF4 / 15 ra EP
1/4	1.580	1.650	A92CMP-.25-PL-316L	A92CMP-.25-PM-316L
3/8	1.580	1.650	A92CMP-.375-PL-316L	A92CMP-.375-PM-316L
1/2	1.580	1.650	A92CMP-.5-PL-316L	A92CMP-.5-PM-316L
3/4	1.580	1.650	A92CMP-.75-PL-316L	A92CMP-.75-PM-316L
1	1.950	2.060	A92CMP-1-PL-316L	A92CMP-1-PM-316L
1 1/2	2.680	2.810	A92CMP-1.5-PL-316L	A92CMP-1.5-PM-316L
2	3.480	3.500	A92CMP-2-PL-316L	A92CMP-2-PM-316L
2 1/2	4.140	4.340	A92CMP-2.5-PL-316L	A92CMP-2.5-PM-316L
3	4.870	5.140	A92CMP-3-PL-316L	A92CMP-3-PM-316L
4	6.460	6.770	A92CMP-4-PL-316L	A92CMP-4-PM-316L
6	10.230	10.710	A92CMP-6-PL-316L	A92CMP-6-PM-316L

Need it customized? Contact us for a quote. Other angles and material types available on request.

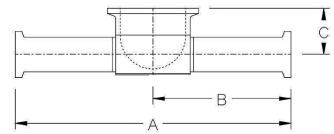
Instrument Tees



A7-54WWM – Instrument Tee

SIZE	A	B	C	PL/ SF1/ 20 ra	PM / SF4 / 15 ra EP T316L
1/2 x 1 1/2	5	2 1/2	7/8	A754WWM-.5x1.5-PL-316L	A754WWM-.5x1.5-PM-316L
3/4 x 1 1/2	5	2 1/2	1	A754WWM-.75x1.5-PL-316L	A754WWM-.75x1.5-PM-316L
3/4 x 2	5 1/2	2 3/4	1 1/8	A754WWM-.75x2-PL-316L	A754WWM-.75x2-PM-316L
1 x 2	5 1/2	2 3/4	1 1/4	A754WWM-1x2-PL-316L	A754WWM-1x2-PM-316L
1 1/2 x 2	5 1/2	2 3/4	1 1/2	A754WWM-1.5x2-PL-316L	A754WWM-1.5x2-PM-316L
1 x 1 1/2	5	2 1/2	1 1/8	A754WWM-1x1.5-PL-316L	A754WWM-1x1.5-PM-316L
1/2 x 1	4 1/2	2 1/4	7/8	A754WWM-.5x1-PL-316L	A754WWM-.5x1-PM-316L
3/4 x 1	4 1/2	2 1/4	1	A754WWM-.75x1-PL-316L	A754WWM-.75x1-PM-316L
1/2 x 2	5 1/2	2 3/4	1	A754WWM-.5x2-PL-316L	A754WWM-.5x2-PM-316L
1/2 x 3/4	4 1/4	2 1/3	7/8	A754WWM-.5x.75-PL-316L	A754WWM-.5x.75-PM-316L

Need it customized? Contact us for a quote. Other angles and materials available on request.

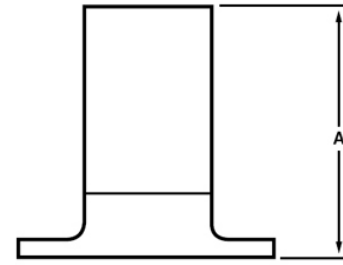


A7-54MP – Instrument Tee

SIZE	A	B	C	PL / SF1 / 20 ra	PM / SF4 / 15 ra EP T316L
1/2 x 1 1/2	6	3	7/8	A754MP-.5x1.5-PL-316L	A754MP-.5x1.5-PM-316L
3/4 x 1 1/2	6	3	1	A754MP-.75x1.5-PL-316L	A754MP-.75x1.5-PM-316L
3/4 x 2	6	3	1 1/8	A754MP-.75x2-PL-316L	A754MP-.75x2-PM-316L
1 x 2	6 1/2	3 1/4	1	A754MP-1x2-PL-316L	A754MP-1x2-PM-316L
1 1/2 x 2	6 1/2	3 1/4	1 1/8	A754MP-1.5x2-PL-316L	A754MP-1.5x2-PM-316L
1 x 1 1/2	6 1/2	3 1/4	1 1/4	A754MP-1x1.5-PL-316L	A754MP-1x1.5-PM-316L
1/2 x 1	6 1/2	3 1/4	1 1/2	A754MP-.5x1-PL-316L	A754MP-.5x1-PM-316L
3/4 x 1	5 1/2	2 3/4	7/8	A754MP-.75x1-PL-316L	A754MP-.75x1-PM-316L
1/2 x 3/4	5 1/4	2 5/8	7/8	A754MP-.5x.75-PL-316L	A754MP-.5x.75-PM-316L

Need it customized? Contact us for a quote. Other angles and materials available on request.

Lap Joint Ferrule



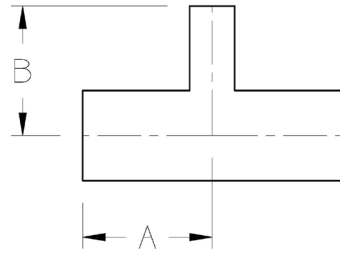
TA14WA – Automatic Tube Weld Lap Joint Ferrule

SIZE	A	PL / SF1 / 20 ra T316L	PM / SF4 / 15 ra EP T316L
1/2	2	TA14WA-.5-PL-316L	TA14WA-.5-PM-316L
3/4	2	TA14WA-.75-PL-316L	TA14WA-.75-PM-316L
1	2	TA14WA-1-PL-316L	TA14WA-1-PM-316L
1 1/2	2	TA14WA-1.5-PL-316L	TA14WA-1.5-PM-316L
2	2 1/2	TA14WA-2-PL-316L	TA14WA-2-PM-316L
2 1/2	2 1/2	TA14WA-2.5-PL-316L	TA14WA-2.5-PM-316L
3	2 1/2	TA14WA-3-PL-316L	TA14WA-3-PM-316L
4	2 1/2	TA14WA-4-PL-316L	TA14WA-4-PM-316L
6	3 1/2	TA14WA-6-PL-316L	TA14WA-6-PM-316L

Need it customized? Contact us for a quote. Can be ordered in other material types.



Reducing Tees



TA7RWWW – Automatic Tube Weld Reducing Tee per DT-4.1.2-6

SIZE	A	B	PL / SF1 / 20 ra	PM / SF4 / 15 ra EP
3/8 x 1/4	1.750	1.750	TA7RWWW-.375x.25-PL-316L	TA7RWWW-.375x.25-PM-316L
1/2 x 1/4	1.875	1.875	TA7RWWW-.5x.25-PL-316L	TA7RWWW-.5x.25-PM-316L
1/2 x 3/8	1.875	1.875	TA7RWWW-.5x.375-PL-316L	TA7RWWW-.5x.375-PM-316L
3/4 x 1/4	2.000	2.000	TA7RWWW-.75x.25-PL-316L	TA7RWWW-.75x.25-PM-316L
3/4 x 3/8	2.000	2.000	TA7RWWW-.75x.375-PL-316L	TA7RWWW-.75x.375-PM-316L
3/4 x 1/2	2.000	2.000	TA7RWWW-.75x.5-PL-316L	TA7RWWW-.75x.5-PM-316L
1 x 1/4	2.125	2.625	TA7RWWW-1x.25-PL-316L	TA7RWWW-1x.25-PM-316L
1 x 3/8	2.125	2.625	TA7RWWW-1x.375-PL-316L	TA7RWWW-1x.375-PM-316L
1 x 1/2	2.125	2.125	TA7RWWW-1x.5-P-316L	TA7RWWW-1x.5-PM-316L
1 x 3/4	2.125	2.125	TA7RWWW-1x.75-PL-316L	TA7RWWW-1x.75-PM-316L
1-1/2 x 1/4	2.375	2.375	TA7RWWW-1.5x.25-PL-316L	TA7RWWW-1.5x.25-PM-316L
1-1/2 x 3/8	2.375	2.375	TA7RWWW-1.5x.375-PL-316L	TA7RWWW-1.5x.375-PM-316L
1-1/2 x 1/2	2.375	2.375	TA7RWWW-1.5x.5-PL-316L	TA7RWWW-1.5x.5-PM-316L
1-1/2 x 3/4	2.375	2.375	TA7RWWW-1.5x.75-PL-316L	TA7RWWW-1.5x.75-PM-316L
1-1/2 x 1	2.375	2.375	TA7RWWW-1.5x1-PL-316L	TA7RWWW-1.5x1-PM-316L
2 x 1/4	2.875	2.625	TA7RWWW-2x.25-PL-316L	TA7RWWW-2x.25-PM-316L
2 x 3/8	2.875	2.625	TA7RWWW-2x.375-PL-316L	TA7RWWW-2x.375-PM-316L
2 x 1/2	2.875	2.625	TA7RWWW-2x.5-PL-316L	TA7RWWW-2x.5-PM-316L
2 x 3/4	2.875	2.625	TA7RWWW-2x.75-PL-316L	TA7RWWW-2x.75-PM-316L
2 x 1	2.875	2.625	TA7RWWW-2x1-PL-316L	TA7RWWW-2x1-PM-316L
2 x 1-1/2	2.875	2.625	TA7RWWW-2x1.5-PL-316L	TA7RWWW-2x1.5-PM-316L
2-1/2 x 1/4	3.125	2.875	TA7RWWW-2.5x.25-PL-316L	TA7RWWW-2.5x.25-PM-316L
2-1/2 x 3/8	3.125	2.875	TA7RWWW-2.5x.375-PL-316L	TA7RWWW-2.5x.375-PM-316L
2-1/2 x 1/2	3.125	2.875	TA7RWWW-2.5x.5-PL-316L	TA7RWWW-2.5x.5-PM-316L
2-1/2 x 3/4	3.125	2.875	TA7RWWW-2.5x.75-PL-316L	TA7RWWW-2.5x.75-PM-316L
2-1/2 x 1	3.125	2.875	TA7RWWW-2.5x1-PL-316L	TA7RWWW-2.5x1-PM-316L
2-1/2 x 1-1/2	3.125	2.875	TA7RWWW-2.5x1.5-PL-316L	TA7RWWW-2.5x1.5-PM-316L
2-1/2 x 2	3.125	2.875	TA7RWWW-2.5x2-PL-316L	TA7RWWW-2.5x2-PM-316L
3 x 1/4	3.375	3.125	TA7RWWW-3x.25-PL-316L	TA7RWWW-3x.25-PM-316L
3 x 3/8	3.375	3.125	TA7RWWW-3x.375-PL-316L	TA7RWWW-3x.375-PM-316L
3 x 1/2	3.375	3.125	TA7RWWW-3x.5-PL-316L	TA7RWWW-3x.5-PM-316L

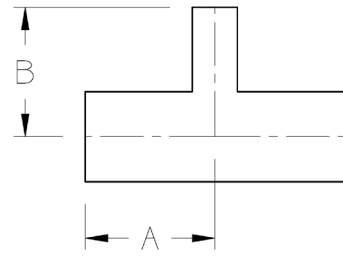
Reducing Tees

TA7RWWW – Automatic Tube Weld Reducing Tee per DT-4.1.2-6, cont'd

SIZE	A	B	PL / SF1 / 20 ra	PM / SF4 / 15 ra EP
3 x 3/4	3.375	3.125	TA7RWWW-3x.75-PL-316L	TA7RWWW-3x.75-PM-316L
3 x 1	3.375	3.125	TA7RWWW-3x1-PL-316L	TA7RWWW-3x1-PM-316L
3 x 1-1/2	3.375	3.125	TA7RWWW-3x1.5-PL-316L	TA7RWWW-3x1.5-PM-316L
3 x 2	3.375	3.125	TA7RWWW-3x2-PL-316L	TA7RWWW-3x2-PM-316L
3 x 2-1/2	3.375	3.125	TA7RWWW-3x2.5-PL-316L	TA7RWWW-3x2.5-PM-316L
4 x 1/4	4.125	3.625	TA7RWWW-4x.25-PL-316L	TA7RWWW-4x.25-PM-316L
4 x 3/8	4.125	3.625	TA7RWWW-4x.375-PL-316L	TA7RWWW-4x.375-PM-316L
4 x 1/2	4.125	3.625	TA7RWWW-4x.5-PL-316L	TA7RWWW-4x.5-PM-316L
4 x 3/4	4.125	3.625	TA7RWWW-4x.75-PL-316L	TA7RWWW-4x.75-PM-316L
4 x 1	4.125	3.625	TA7RWWW-4x1-PL-316L	TA7RWWW-4x1-PM-316L
4 x 1-1/2	4.125	3.625	TA7RWWW-4x1.5-P-316LL	TA7RWWW-4x1.5-PM-316L
4 x 2	4.125	3.875	TA7RWWW-4x2-PL-316L	TA7RWWW-4x2-PM-316L
4 x 2-1/2	4.125	3.875	TA7RWWW-4x2.5-PL-316L	TA7RWWW-4x2.5-PM-316L
4 x 3	4.125	3.875	TA7RWWW-4x3-PL-316L	TA7RWWW-4x3-PM-316L
6 x 1/4	5.625	4.625	TA7RWWW-6x.25-PL-316L	TA7RWWW-6x.25-PM-316L
6 x 3/8	5.625	4.625	TA7RWWW-6x.375-PL-316L	TA7RWWW-6x.375-PM-316L
6 x 1/2	5.625	4.625	TA7RWWW-6x.5-PL-316L	TA7RWWW-6x.5-PM-316L
6 x 3/4	5.625	4.625	TA7RWWW-6x.75-PL-316L	TA7RWWW-6x.75-PM-316L
6 x 1	5.625	4.625	TA7RWWW-6x1-PL-316L	TA7RWWW-6x1-PM-316L
6 x 1-1/2	5.625	4.625	TA7RWWW-6x1.5-PL-316L	TA7RWWW-6x1.5-PM-316L
6 x 2	5.625	4.875	TA7RWWW-6x2-PL-316L	TA7RWWW-6x2-PM-316L
6 x 2-1/2	5.625	4.875	TA7RWWW-6x2.5-PL-316L	TA7RWWW-6x2.5-PM-316L
6 x 3	5.625	4.875	TA7RWWW-6x3-PL-316L	TA7RWWW-6x3-PLM-316L
6 x 4	5.625	5.125	TA7RWWW-6x4-PL-316L	TA7RWWW-6x4-PM-316L

Need it customized? Contact us for a quote. Self draining styles available on request. Other angles & material types available upon request.

Reducing Tees



TA7RWWM – Automatic Tube Weld x Hygienic Clamp Joint Port Reducing Tee per DT-4.1.2-6/DT-4.1.2-8

SIZE	A	B	PL / SF1 / 20 ra	PM / SF4 / 15 ra E
3/8 x 1/4	1.750	2.250	TA7RWWM-.375x.25-PL-316L	TA7RWWM-.375x.25-PM-316L
1/2 x 1/4	1.875	2.375	TA7RWWM-.5x.25-PL-316L	TA7RWWM-.5x.25-PM-316L
1/2 x 3/8	1.875	2.375	TA7RWWM-.5x.375-PL-316L	TA7RWWM-.5x.375-PM-316L
3/4 x 1/4	2.000	2.500	TA7RWWM-.75x.25-PL-316L	TA7RWWM-.75x.25-PM-316L
3/4 x 3/8	2.000	2.250	TA7RWWM-.75x.375-PL-316L	TA7RWWM-.75x.375-PM-316L
3/4 x 1/2	1.750	2.500	TA7RWWM-.75x.5-PL-316L	TA7RWWM-.75x.5-PM-316L
1 x 1/4	2.125	2.625	TA7RWWM-1x.25-PL-316L	TA7RWWM-1x.25-PM-316L
1 x 3/8	2.125	2.625	TA7RWWM-1x.375-PL-316L	TA7RWWM-1x.375-PM-316L
1 x 1/2	2.125	2.625	TA7RWWM-1x.5-PL-316L	TA7RWWM-1x.5-PM-316L
1 x 3/4	2.125	2.625	TA7RWWM-1x.75-PL-316L	TA7RWWM-1x.75-PM-316L
1-1/2 x 1/4	2.375	2.875	TA7RWWM-1.5x.25-PL-316L	TA7RWWM-1.5x.25-PM-316L
1-1/2 x 3/8	2.375	2.875	TA7RWWM-1.5x.375-PL-316L	TA7RWWM-1.5x.375-PM-316L
1-1/2 x 1/2	2.375	2.875	TA7RWWM-1.5x.5-PL-316L	TA7RWWM-1.5x.5-PM-316L
1-1/2 x 3/4	2.375	2.875	TA7RWWM-1.5x.75-PL-316L	TA7RWWM-1.5x.75-PM-316L
1-1/2 x 1	2.375	2.875	TA7RWWM-1.5x1-PL-316L	TA7RWWM-1.5x1-PM-316L
2 x 1/4	2.875	3.125	TA7RWWM-2x.25-PL-316L	TA7RWWM-2x.25-PM-316L
2 x 3/8	2.875	3.125	TA7RWWM-2x.375-PL-316L	TA7RWWM-2x.375-PM-316L
2 x 1/2	2.875	3.125	TA7RWWM-2x.5-PL-316L	TA7RWWM-2x.5-PM-316L
2 x 3/4	2.875	3.125	TA7RWWM-2x.75-PL-316L	TA7RWWM-2x.75-PM-316L
2 x 1	2.875	3.125	TA7RWWM-2x1-PL-316L	TA7RWWM-2x1-PM-316L
2 x 1-1/2	2.875	3.125	TA7RWWM-2x1.5-PL-316L	TA7RWWM-2x1.5-PM-316L
2-1/2 x 1/4	3.125	3.375	TA7RWWM-2.5x.25-PL-316L	TA7RWWM-2.5x.25-PM-316L
2-1/2 x 3/8	3.125	3.375	TA7RWWM-2.5x.375-PL-316L	TA7RWWM-2.5x.375-PM-316L
2-1/2 x 1/2	3.125	3.375	TA7RWWM-2.5x.5-PL-316L	TA7RWWM-2.5x.5-PM-316L
2-1/2 x 3/4	3.125	3.375	TA7RWWM-2.5x.75-PL-316L	TA7RWWM-2.5x.75-PM-316L
2-1/2 x 1	3.125	3.375	TA7RWWM-2.5x1-PL-316L	TA7RWWM-2.5x1-PM-316L
2-1/2 x 1-1/2	3.125	3.375	TA7RWWM-2.5x1.5-PL-316L	TA7RWWM-2.5x1.5-PM-316L
2-1/2 x 2	3.125	3.375	TA7RWWM-2.5x2-PL-316L	TA7RWWM-2.5x2-PM-316L
3 x 1/4	3.375	3.625	TA7RWWM-3x.25-PL-316L	TA7RWWM-3x.25-PM-316L
3 x 3/8	3.375	3.625	TA7RWWM-3x.375-PL-316L	TA7RWWM-3x.375-PM-316L
3 x 1/2	3.375	3.625	TA7RWWM-3x.5-PL-316L	TA7RWWM-3x.5-PM-316L

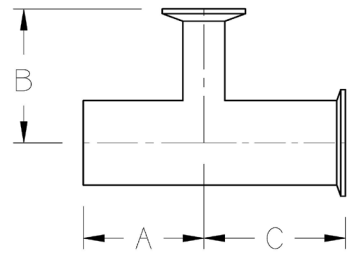
Reducing Tees

TA7RWWM – Automatic Tube Weld x Hygienic Clamp Joint Port Reducing Tee per DT-4.1.2-6/DT-4.1.2-8, cont'd

SIZE	A	B	PL / SF1 / 20 ra	PM / SF4 / 15 ra E
3 x 3/4	3.375	3.625	TA7RWWM-3x.75-PL-316L	TA7RWWM-3x.75-PM-316L
3 x 1	3.375	3.625	TA7RWWM-3x1-PL-316L	TA7RWWM-3x1-PM-316L
3 x 1-1/2	3.375	3.625	TA7RWWM-3x1.5-PL-316L	TA7RWWM-3x1.5-PM-316L
3 x 2	3.375	3.625	TA7RWWM-3x2-PL-316L	TA7RWWM-3x2-PM-316L
3 x 2-1/2	3.375	3.625	TA7RWWM-3x2.5-PL-316L	TA7RWWM-3x2.5-PM-316L
4 x 1/4	4.125	4.125	TA7RWWM-4x.25-PL-316L	TA7RWWM-4x.25-PM-316L
4 x 3/8	4.125	4.125	TA7RWWM-4x.375-PL-316L	TA7RWWM-4x.375-PM-316L
4 x 1/2	4.125	4.125	TA7RWWM-4x.5-PL-316L	TA7RWWM-4x.5-PM-316L
4 x 3/4	4.125	4.125	TA7RWWM-4x.75-PL-316L	TA7RWWM-4x.75-PM
4 x 1	4.125	4.125	TA7RWWM-4x1-PL-316L	TA7RWWM-4x1-PM-316L
4 x 1-1/2	4.125	4.125	TA7RWWM-4x1.5-PL-316L	TA7RWWM-4x1.5-PM-316L
4 x 2	4.125	4.375	TA7RWWM-4x2-PL-316L	TA7RWWM-4x2-PM-316L
4 x 2-1/2	4.125	4.375	TA7RWWM-4x2.5-PL-316L	TA7RWWM-4x2.5-PM-316L
4 x 3	4.125	4.375	TA7RWWM-4x3-PL-316L	TA7RWWM-4x3-PM-316L
6 x 1/4	5.625	5.125	TA7RWWM-6x.25-PL-316L	TA7RWWM-6x.25-PM-316L
6 x 3/8	5.625	5.125	TA7RWWM-6x.375-PL-316L	TA7RWWM-6x.375-PM-316L
6 x 1/2	5.625	5.125	TA7RWWM-6x.5-PL-316L	TA7RWWM-6x.5-PM-316L
6 x 3/4	5.625	5.125	TA7RWWM-6x.75-PL-316L	TA7RWWM-6x.75-PM-316L
6 x 1	5.625	5.125	TA7RWWM-6x1-PL-316L	TA7RWWM-6x1-PM-316L
6 x 1-1/2	5.625	5.125	TA7RWWM-6x1.5-PL-316L	TA7RWWM-6x1.5-PM-316L
6 x 2	5.625	5.375	TA7RWWM-6x2-PL-316L	TA7RWWM-6x2-PM-316L
6 x 2-1/2	5.625	5.375	TA7RWWM-6x2.5-PL-316L	TA7RWWM-6x2.5-PM-316L
6 x 3	5.625	5.375	TA7RWWM-6x3-PL-316L	TA7RWWM-6x3-PM-316L
6 x 4	5.625	5.750	TA7RWWM-6x4-PL-316L	TA7RWWM-6x4-PM-316L

Need it customized? Contact us for a quote. Self draining styles available on request. Other angles & material types available upon request.

Reducing Tees



TA7RWMM – Automatic Tube Weld x Hygienic Clamp Joint Port & End Reducing Tee per DT-4.1.2-6/DT-4.1.2-8

SIZE	A	B	C	PL / SF1 / 20 ra	PM / SF4 / 15 ra EP
3/8 x 1/4	1.750	2.250	2.250	TA7RWMM-.375x.25-PL-316L	TA7RWMM-.375x.25-PM-316L
1/2 x 1/4	1.875	2.375	2.375	TA7RWMM-.5x.25-PL-316L	TA7RWMM-.5x.25-PM-316L
1/2 x 3/8	1.875	2.375	2.375	TA7RWMM-.5x.375-PL-316L	TA7RWMM-.5x.375-PM-316L
3/4 x 1/4	2.000	2.500	2.500	TA7RWMM-.75x.25-PL-316L	TA7RWMM-.75x.25-PM-316L
3/4 x 3/8	2.000	2.500	2.500	TA7RWMM-.75x.375-PL-316L	TA7RWMM-.75x.375-PM-316L
3/4 x 1/2	2.000	2.500	2.500	TA7RWMM-.75x.5-PL-316L	TA7RWMM-.75x.5-PM-316L
1 x 1/4	2.125	2.625	2.625	TA7RWMM-1x.25-PL-316L	TA7RWMM-1x.25-PM-316L
1 x 3/8	2.125	2.625	2.625	TA7RWMM-1x.375-PL-316L	TA7RWMM-1x.375-PM-316L
1 x 1/2	2.125	2.625	2.625	TA7RWMM-1x.5-PL-316L	TA7RWMM-1x.5-PM-316L
1 x 3/4	2.125	2.625	2.625	TA7RWMM-1x.75-PL-316L	TA7RWMM-1x.75-PM-316L
1-1/2 x 1/4	2.375	2.875	2.875	TA7RWMM-1.5x.25-PL-316L	TA7RWMM-1.5x.25-PM-316L
1-1/2 x 3/8	2.375	2.875	2.875	TA7RWMM-1.5x.375-PL-316L	TA7RWMM-1.5x.375-PM-316L
1-1/2 x 1/2	2.375	2.875	2.875	TA7RWMM-1.5x.5-PL-316L	TA7RWMM-1.5x.5-PM-316L
1-1/2 x 3/4	2.375	2.875	2.875	TA7RWMM-1.5x.75-PL-316L	TA7RWMM-1.5x.75-PM-316L
1-1/2 x 1	2.375	2.875	2.875	TA7RWMM-1.5x1-PL-316L	TA7RWMM-1.5x1-PM-316L
2 x 1/4	2.875	3.125	3.375	TA7RWMM-2x.25-PL-316L	TA7RWMM-2x.25-PM-316L
2 x 3/8	2.875	3.125	3.375	TA7RWMM-2x.375-PL-316L	TA7RWMM-2x.375-PM-316L
2 x 1/2	2.875	3.125	3.375	TA7RWMM-2x.5-PL-316L	TA7RWMM-2x.5-PM-316L
2 x 3/4	2.875	3.125	3.375	TA7RWMM-2x.75-PL-316L	TA7RWMM-2x.75-PM-316L
2 x 1	2.875	3.125	3.375	TA7RWMM-2x1-PL-316L	TA7RWMM-2x1-PM-316L
2 x 1-1/2	2.875	3.125	3.375	TA7RWMM-2x1.5-PL-316L	TA7RWMM-2x1.5-PM-316L
2-1/2 x 1/4	3.125	3.375	3.625	TA7RWMM-2.5x.25-PL-316L	TA7RWMM-2.5x.25-PM-316L
2-1/2 x 3/8	3.125	3.375	3.625	TA7RWMM-2.5x.375-PL-316L	TA7RWMM-2.5x.375-PM-316L
2-1/2 x 1/2	3.125	3.375	3.625	TA7RWMM-2.5x.5-PL-316L	TA7RWMM-2.5x.5-PM-316L

Reducing Tees

TA7RWMM – Automatic Tube Weld x Hygienic Clamp Joint Port & End Reducing Tee per DT-4.1.2-6/DT-4.1.2-8, cont'd

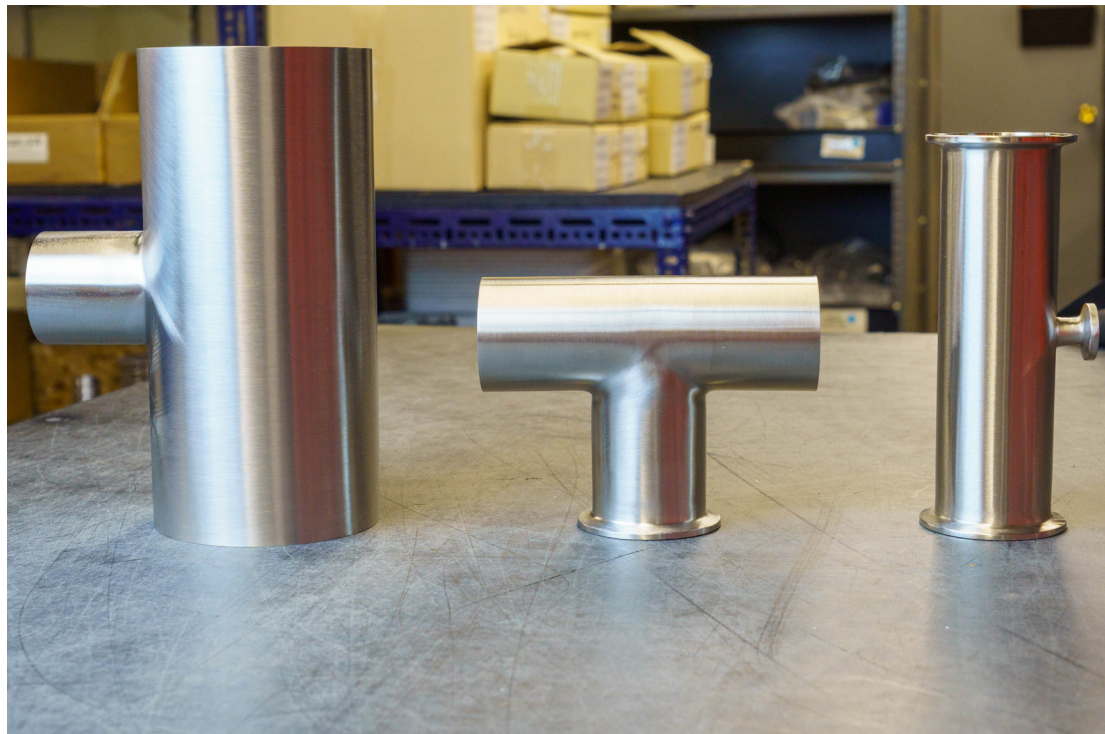
SIZE	A	B	C	PL / SF1 / 20 ra	PM / SF4 / 15 ra EP
2-1/2 x 3/4	3.125	3.375	3.625	TA7RWMM-2.5x.75-PL-316L	TA7RWMM-2.5x.75-PM-316L
2-1/2 x 1	3.125	3.375	3.625	TA7RWMM-2.5x1-PL-316L	TA7RWMM-2.5x1-PM-316L
2-1/2 x 1-1/2	3.125	3.375	3.625	TA7RWMM-2.5x1.5-PL-316L	TA7RWMM-2.5x1.5-PM-316L
2-1/2 x 2	3.125	3.375	3.625	TA7RWMM-2.5x2-PL-316L	TA7RWMM-2.5x2-PM-316L
3 x 1/4	3.375	3.625	3.875	TA7RWMM-3x.25-PL-316L	TA7RWMM-3x.25-PM-316L
3 x 3/8	3.375	3.625	3.875	TA7RWMM-3x.375-PL-316L	TA7RWMM-3x.375-PM-316L
3 x 1/2	3.375	3.625	3.875	TA7RWMM-3x.5-PL-316L	TA7RWMM-3x.5-PM-316L
3 x 3/4	3.375	3.625	3.875	TA7RWMM-3x.75-PL-316L	TA7RWMM-3x.75-PM-316L
3 x 1	3.375	3.625	3.875	TA7RWMM-3x1-PL-316L	TA7RWMM-3x1-PM-316L
3 x 1-1/2	3.375	3.625	3.875	TA7RWMM-3x1.5-PL-316L	TA7RWMM-3x1.5-PM-316L
3 x 2	3.375	3.625	3.875	TA7RWMM-3x2-PL-316L	TA7RWMM-3x2-PM-316L
3 x 2-1/2	3.375	3.625	3.875	TA7RWMM-3x2.5-PL-316L	TA7RWMM-3x2.5-PM-316L
4 x 1/4	4.125	4.125	4.750	TA7RWMM-4x.25-PL-316L	TA7RWMM-4x.25-PM-316L
4 x 3/8	4.125	4.125	4.750	TA7RWMM-4x.375-PL-316L	TA7RWMM-4x.375-PM-316L
4 x 1/2	4.125	4.125	4.750	TA7RWMM-4x.5-PL-316L	TA7RWMM-4x.5-PM-316L
4 x 3/4	4.125	4.125	4.750	TA7RWMM-4x.75-PL-316L	TA7RWMM-4x.75-PM-316L
4 x 1	4.125	4.125	4.750	TA7RWMM-4x1-PL-316L	TA7RWMM-4x1-PM-316L
4 x 1-1/2	4.125	4.125	4.750	TA7RWMM-4x1.5-PL-316L	TA7RWMM-4x1.5-PM-316L
4 x 2	4.125	4.375	4.750	TA7RWMM-4x2-PL-316L	TA7RWMM-4x2-PM-316L
4 x 2-1/2	4.125	4.375	4.750	TA7RWMM-4x2.5-PL-316L	TA7RWMM-4x2.5-PM-316L
4 x 3	4.125	4.375	4.750	TA7RWMM-4x3-PL-316L	TA7RWMM-4x3-PM-316L
6 x 1/4	5.625	5.125	7.125	TA7RWMM-6x.25-PL-316L	TA7RWMM-6x.25-PM-316L
6 x 3/8	5.625	5.125	7.125	TA7RWMM-6x.375-PL-316L	TA7RWMM-6x.375-PM-316L

Reducing Tees

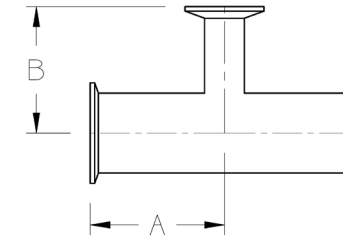
TA7RWMM – Automatic Tube Weld x Hygienic Clamp Joint Port & End Reducing Tee per DT-4.1.2-6/DT-4.1.2-8, cont'd

SIZE	A	B	C	PL / SF1 / 20 ra	PM / SF4 / 15 ra EP
6 x 1/2	5.625	5.125	7.125	TA7RWMM-6x.5-PL-316L	TA7RWMM-6x.5-PM-316L
6 x 3/4	5.625	5.125	7.125	TA7RWMM-6x.75-PL-316L	TA7RWMM-6x.75-PM-316L
6 x 1	5.625	5.125	7.125	TA7RWMM-6x1-PL-316L	TA7RWMM-6x1-PM-316L
6 x 1-1/2	5.625	5.125	7.125	TA7RWMM-6x1.5-PL-316L	TA7RWMM-6x1.5-PM-316L
6 x 2	5.625	5.375	7.125	TA7RWMM-6x2-PL-316L	TA7RWMM-6x2-PM-316L
6 x 2-1/2	5.625	5.375	7.125	TA7RWMM-6x2.5-PL-316L	TA7RWMM-6x2.5-PM-316L
6 x 3	5.625	5.375	7.125	TA7RWMM-6x3-PL-316L	TA7RWMM-6x3-PM-316L
6 x 4	5.625	5.750	7.125	TA7RWMM-6x4-PL-316L	TA7RWMM-6x4-PM-316L

Need it customized? Contact us for a quote. Self draining styles available on request. Other angles & material types available upon request.



Reducing Tees



A7RMP – Hygienic Clamp Joint Reducing Tee per DT-4.1.2-8

SIZE	A	B	PL / SF1 / 20ra	PM / SF4 / 15ra EP
3/8 x 1/4	2.250	2.250	A7RMP-.375x.25-PL-316L	A7RMP-.375x.25-PM-316L
1/2 x 1/4	2.375	2.375	A7RMP-.5x.25-PL-316L	A7RMP-.5x.25-PM-316L
1/2 x 3/8	2.375	2.375	A7RMP-.5x.375-PL-316L	A7RMP-.5x.375-PM-316L
3/4 x 1/4	2.500	2.500	A7RMP-.75x.25-PL-316L	A7RMP-.75x.25-PM-316L
3/4 x 3/8	2.500	2.500	A7RMP-.75x.375-PL-316L	A7RMP-.75x.375-PM-316L
3/4 x 1/2	2.500	2.500	A7RMP-.75x.5-PL-316L	A7RMP-.75x.5-PM-316L
1 x 1/4	2.625	2.625	A7RMP-1x.25-PL-316L	A7RMP-1x.25-PM-316L
1 x 3/8	2.625	2.625	A7RMP-1x.375-PL-316L	A7RMP-1x.375-PM-316L
1 x 1/2	2.625	2.625	A7RMP-1x.5-PL-316L	A7RMP-1x.5-PM-316L
1 x 3/4	2.625	2.625	A7RMP-1x.75-PL-316L	A7RMP-1x.75-PM-316L
1-1/2 x 1/4	2.875	2.875	A7RMP-1.5x.25-PL-316L	A7RMP-1.5x.25-PM-316L
1-1/2 x 3/8	2.875	2.875	A7RMP-1.5x.375-PL-316L	A7RMP-1.5x.375-PM-316L
1-1/2 x 1/2	2.875	2.875	A7RMP-1.5x.5-PL-316L	A7RMP-1.5x.5-PM-316L
1-1/2 x 3/4	2.875	2.875	A7RMP-1.5x.75-PL-316L	A7RMP-1.5x.75-PM-316L
1-1/2 x 1	2.875	2.875	A7RMP-1.5x1-PL-316L	A7RMP-1.5x1-PM-316L
2 x 1/4	3.375	3.125	A7RMP-2x.25-PL-316L	A7RMP-2x.25-PM-316L
2 x 3/8	3.375	3.125	A7RMP-2x.375-PL-316L	A7RMP-2x.375-PM-316L
2 x 1/2	3.375	3.125	A7RMP-2x.5-PL-316L	A7RMP-2x.5-PM-316L
2 x 3/4	3.375	3.125	A7RMP-2x.75-PL-316L	A7RMP-2x.75-PM-316L
2 x 1	3.375	3.125	A7RMP-2x1-PL-316L	A7RMP-2x1-PM-316L
2 x 1-1/2	3.375	3.125	A7RMP-2x1.5-PL-316L	A7RMP-2x1.5-PM-316L
2-1/2 x 1/4	3.625	3.375	A7RMP-2.5x.25-PL-316L	A7RMP-2.5x.25-PM-316L
2-1/2 x 3/8	3.625	3.375	A7RMP-2.5x.375-PL-316L	A7RMP-2.5x.375-PM-316L
2-1/2 x 1/2	3.625	3.375	A7RMP-2.5x.5-PL-316L	A7RMP-2.5x.5-PM-316L
2-1/2 x 3/4	3.625	3.375	A7RMP-2.5x.75-PL-316L	A7RMP-2.5x.75-PM-316L
2-1/2 x 1	3.625	3.375	A7RMP-2.5x1-PL-316L	A7RMP-2.5x1-PM-316L
2-1/2 x 1-1/2	3.625	3.375	A7RMP-2.5x1.5-PL-316L	A7RMP-2.5x1.5-PM-316L
2-1/2 x 2	3.625	3.375	A7RMP-2.5x2-PL-316L	A7RMP-2.5x2-PM-316L
3 x 1/4	3.875	3.625	A7RMP-3x.25-PL-316L	A7RMP-3x.25-PM-316L
3 x 3/8	3.875	3.625	A7RMP-3x.375-PL-316L	A7RMP-3x.375-PM-316L
3 x 1/2	3.875	3.625	A7RMP-3x.5-PL-316L	A7RMP-3x.5-PM-316L

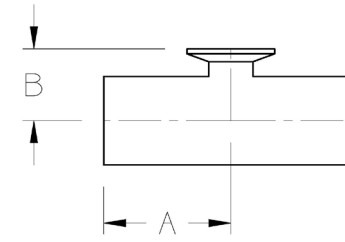
Reducing Tees

A7RMP – Hygienic Clamp Joint Reducing Tee per DT-4.1.2-8, cont'd

SIZE	A	B	PL / SF1 / 20ra	PM / SF4 / 15ra EP
3 x 3/4	3.875	3.625	A7RMP-3x.75-PL-316L	A7RMP-3x.75-PM-316L
3 x 1	3.875	3.625	A7RMP-3x1-PL-316L	A7RMP-3x1-PM-316L
3 x 1-1/2	3.875	3.625	A7RMP-3x1.5-PL-316L	A7RMP-3x1.5-PM-316L
3 x 2	3.875	3.625	A7RMP-3x2-PL-316L	A7RMP-3x2-PM-316L
3 x 2-1/2	3.875	3.625	A7RMP-3x2.5-PL-316L	A7RMP-3x2.5-PM-316L
4 x 1/4	4.750	4.125	A7RMP-4x.25-PL-316L	A7RMP-4x.25-PM-316L
4 x 3/8	4.750	4.125	A7RMP-4x.375-PL-316L	A7RMP-4x.375-PM-316L
4 x 1/2	4.750	4.125	A7RMP-4x.5-PL-316L	A7RMP-4x.5-PM-316L
4 x 3/4	4.750	4.125	A7RMP-4x.75-PL-316L	A7RMP-4x.75-PM-316L
4 x 1	4.750	4.125	A7RMP-4x1-PL-316L	A7RMP-4x1-PM-316L
4 x 1-1/2	4.750	4.125	A7RMP-4x1.5-PL-316L	A7RMP-4x1.5-PM-316L
4 x 2	4.750	4.125	A7RMP-4x2-PL-316L	A7RMP-4x2-PM-316L
4 x 2-1/2	4.750	4.125	A7RMP-4x2.5-PL-316L	A7RMP-4x2.5-PM-316L
4 x 3	4.750	4.125	A7RMP-4x3-PL-316L	A7RMP-4x3-PM-316L
6 x 1/4	7.125	5.125	A7RMP-6x.25-PL-316L	A7RMP-6x.25-PM-316L
6 x 3/8	7.125	5.125	A7RMP-6x.375-PL-316L	A7RMP-6x.375-PM-316L
6 x 1/2	7.125	5.125	A7RMP-6x.5-PL-316L	A7RMP-6x.5-PM-316L
6 x 3/4	7.125	5.125	A7RMP-6x.75-PL-316L	A7RMP-6x.75-PM-316L
6 x 1	7.125	5.125	A7RMP-6x1-PL-316L	A7RMP-6x1-PM-316L
6 x 1-1/2	7.125	5.125	A7RMP-6x1.5-PL-316L	A7RMP-6x1.5-PM-316L
6 x 2	7.125	5.125	A7RMP-6x2-PL-316L	A7RMP-6x2-PM-316L
6 x 2-1/2	7.125	5.125	A7RMP-6x2.5-PL-316L	A7RMP-6x2.5-PM-316L
6 x 3	7.125	5.375	A7RMP-6x3-PL-316L	A7RMP-6x3-PM-316L
6 x 4	7.125	5.750	A7RMP-6x4-PL-316L	A7RMP-6x4-PM-316L

Need it customized? Contact us for a quote. Self draining styles available on request. Other angles & material types available upon request.

Reducing Tees



TA7RWWMS – Automatic Tube Weld Short Outlet Hygienic Clamp Joint Reducing Tee per DT-4.1.2-7

SIZE	A	B	PL / SF1 / 20 ra	PM / SF4 / 15 ra EP
3/8 x 1/4	1.750	1.000	TA7RWWMS-.375x.25-PL-316L	TA7RWWMS-.375x.25-PM-316L
1/2 x 1/4	1.875	1.000	TA7RWWMS-.5x.25-PL-316L	TA7RWWMS-.5x.25-PM-316L
1/2 x 3/8	1.875	1.000	TA7RWWMS-.5x.375-PL-316L	TA7RWWMS-.5x.375-PL-316L
3/4 x 1/4	2.000	1.000	TA7RWWMS-.75x.25-PL-316L	TA7RWWMS-.75x.25-PM-316L
3/4 x 3/8	2.000	1.000	TA7RWWMS-.75x.375-PL-316L	TA7RWWMS-.75x.375-PM-316L
3/4 x 1/2	2.000	1.000	TA7RWWMS-.75x.5-PL-316L	TA7RWWMS-.75x.5-PM-316L
1 x 1/4	2.125	1.125	TA7RWWMS-1x.25-PL-316L	TA7RWWMS-1x.25-PM-316L
1 x 3/8	2.125	1.125	TA7RWWMS-1x.375-PL-316L	TA7RWWMS-1x.375-PM-316L
1 x 1/2	2.125	1.125	TA7RWWMS-1x.5-PL-316L	TA7RWWMS-1x.5-PM-316L
1 x 3/4	2.125	1.125	TA7RWWMS-1x.75-PL-316L	TA7RWWMS-1x.75-PM-316L
1-1/2 x 1/4	2.375	1.375	TA7RWWMS-1.5x.25-PL-316L	TA7RWWMS-1.5x.25-PM-316L
1-1/2 x 3/8	2.375	1.375	TA7RWWMS-1.5x.375-PL-316L	TA7RWWMS-1.5x.375-PM-316L
1-1/2 x 1/2	2.375	1.375	TA7RWWMS-1.5x.5-PL-316L	TA7RWWMS-1.5x.5-PM-316L
1-1/2 x 3/4	2.375	1.375	TA7RWWMS-1.5x.75-PL-316L	TA7RWWMS-1.5x.75-PM-316L
1-1/2 x 1	2.375	1.375	TA7RWWMS-1.5x1-PL-316L	TA7RWWMS-1.5x1-PM-316L
2 x 1/4	2.875	1.625	TA7RWWMS-2x.25-PL-316L	TA7RWWMS-2x.25-PM-316L
2 x 3/8	2.875	1.625	TA7RWWMS-2x.375-PL-316L	TA7RWWMS-2x.375-PM-316L
2 x 1/2	2.875	1.625	TA7RWWMS-2x.5-PL-316L	TA7RWWMS-2x.5-PM-316L
2 x 3/4	2.875	1.625	TA7RWWMS-2x.75-PL-316L	TA7RWWMS-2x.75-PM-316L
2 x 1	2.875	1.625	TA7RWWMS-2x1-PL-316L	TA7RWWMS-2x1-PM-316L
2 x 1-1/2	2.875	1.625	TA7RWWMS-2x1.5-PL-316L	TA7RWWMS-2x1.5-PM-316L
2-1/2 x 1/4	3.125	1.875	TA7RWWMS-2.5x.25-PL-316L	TA7RWWMS-2.5x.25-PL-316L
2-1/2 x 3/8	3.125	1.875	TA7RWWMS-2.5x.375-PL-316L	TA7RWWMS-2.5x.375-PM-316L
2-1/2 x 1/2	3.125	1.875	TA7RWWMS-2.5x.5-PL-316L	TA7RWWMS-2.5x.5-PM-316L
2-1/2 x 3/4	3.125	1.875	TA7RWWMS-2.5x.75-PL-316L	TA7RWWMS-2.5x.75-PM-316L
2-1/2 x 1	3.125	1.875	TA7RWWMS-2.5x1-PL-316L	TA7RWWMS-2.5x1-PM-316L
2-1/2 x 1-1/2	3.125	1.875	TA7RWWMS-2.5x1.5-PL-316L	TA7RWWMS-2.5x1.5-PM-316L
2-1/2 x 2	3.125	1.875	TA7RWWMS-2.5x2-PL-316L	TA7RWWMS-2.5x2-PM-316L
3 x 1/4	3.375	2.125	TA7RWWMS-3x.25-PL-316L	TA7RWWMS-3x.25-PM-316L
3 x 3/8	3.375	2.125	TA7RWWMS-3x.375-PL-316L	TA7RWWMS-3x.375-PM-316L
3 x 1/2	3.375	2.125	TA7RWWMS-3x.5-PL-316L	TA7RWWMS-3x.5-PM-316L

Reducing Tees

TA7RWWMS – Automatic Tube Weld Short Outlet Hygienic Clamp Joint Reducing Tee per DT-4.1.2-7, cont'd

SIZE	A	B	PL / SF1 / 20 ra	PM / SF4 / 15 ra EP
3 x 3/4	3.375	2.125	TA7RWWMS-3x.75-PL-316L	TA7RWWMS-3x.75-PM-316L
3 x 1	3.375	2.125	TA7RWWMS-3x1-PL-316L	TA7RWWMS-3x1-PM-316L
3 x 1-1/2	3.375	2.125	TA7RWWMS-3x1.5-PL-316L	TA7RWWMS-3x1.5-PM-316L
3 x 2	3.375	2.125	TA7RWWMS-3x2-PL-316L	TA7RWWMS-3x2-PM-316L
3 x 2-1/2	3.375	2.125	TA7RWWMS-3x2.5-PL-316L	TA7RWWMS-3x2.5-PM-316L
4 x 1/4	4.125	2.625	TA7RWWMS-4x.25-PL-316L	TA7RWWMS-4x.25-PM-316L
4 x 3/8	4.125	2.625	TA7RWWMS-4x.375-PL-316L	TA7RWWMS-4x.375-PM-316L
4 x 1/2	4.125	2.625	TA7RWWMS-4x.5-PL-316L	TA7RWWMS-4x.5-PM-316L
4 x 3/4	4.125	2.625	TA7RWWMS-4x.75-PL-316L	TA7RWWMS-4x.75-PM-316L
4 x 1	4.125	2.625	TA7RWWMS-4x1-PL-316L	TA7RWWMS-4x1-PM-316L
4 x 1-1/2	4.125	2.625	TA7RWWMS-4x1.5-PL-316L	TA7RWWMS-4x1.5-PM-316L
4 x 2	4.125	2.625	TA7RWWMS-4x2-PL-316L	TA7RWWMS-4x2-PM-316L
4 x 2-1/2	4.125	2.625	TA7RWWMS-4x2.5-PL-316L	TA7RWWMS-4x2.5-PM-316L
4 x 3	4.125	2.625	TA7RWWMS-4x3-PL-316L	TA7RWWMS-4x3-PM-316L
6 x 1/4	5.625	3.625	TA7RWWMS-6x.25-PL-316L	TA7RWWMS-6x.25-PM-316L
6 x 3/8	5.625	3.625	TA7RWWMS-6x.375-PL-316L	TA7RWWMS-6x.375-PM-316L
6 x 1/2	5.625	3.625	TA7RWWMS-6x.5-PL-316L	TA7RWWMS-6x.5-PM-316L
6 x 3/4	5.625	3.625	TA7RWWMS-6x.75-PL-316L	TA7RWWMS-6x.75-PM-316L
6 x 1	5.625	3.625	TA7RWWMS-6x1-PL-316L	TA7RWWMS-6x1-PM-316L
6 x 1-1/2	5.625	3.625	TA7RWWMS-6x1.5-PL-316L	TA7RWWMS-6x1.5-PM-316L
6 x 2	5.625	3.625	TA7RWWMS-6x2-PL-316L	TA7RWWMS-6x2-PM-316L
6 x 2-1/2	5.625	3.625	TA7RWWMS-6x2.5-PL-316L	TA7RWWMS-6x2.5-PM-316L
6 x 3	5.625	3.625	TA7RWWMS-6x3-PL-316L	TA7RWWMS-6x3-PM-316L
6 x 4	5.625	3.750	TA7RWWMS-6x4-PL-316L	TA7RWWMS-6x4-PM-316L

Need it customized? Contact us for a quote. Self draining styles available on request. Other angles & material types available upon request.

Reducing Tees

TA7RWWMS – Automatic Tube Weld x Hygienic Clamp Joint Port & End Reducing Tee per DT-4.1.2-7/DT-4.1.2-9

SIZE	A	B	C	PL / SF1 / 20 ra	PM / SF4 / 15 ra EP
3/8 x 1/4	1.750	1.000	2.250	TA7RWWMS-.375x.25-PL-316L	TA7RWWMS-.375x.25-PM-316L
1/2 x 1/4	1.875	1.000	2.375	TA7RWWMS-.5x.25-PL-316L	TA7RWWMS-.5x.25-PM-316L
1/2 x 3/8	1.875	1.000	2.375	TA7RWWMS-.5x.375-PL-316L	TA7RWWMS-.5x.375-PM-316L
3/4 x 1/4	2.000	1.000	2.500	TA7RWWMS-.75x.25-PL-316L	TA7RWWMS-.75x.25-PM-316L
3/4 x 3/8	2.000	1.000	2.500	TA7RWWMS-.75x.375-PL-316L	TA7RWWMS-.75x.375-PM-316L
3/4 x 1/2	2.000	1.000	2.500	TA7RWWMS-.75x.5-PL-316L	TA7RWWMS-.75x.5-PM-316L
1 x 1/4	2.125	1.125	2.625	TA7RWWMS-1x.25-PL-316L	TA7RWWMS-1x.25-PM-316L
1 x 3/8	2.125	1.125	2.625	TA7RWWMS-1x.375-PL-316L	TA7RWWMS-1x.375-PM-316L
1 x 1/2	2.125	1.125	2.625	TA7RWWMS-1x.5-PL-316L	TA7RWWMS-1x.5-PM-316L
1 x 3/4	2.125	1.125	2.625	TA7RWWMS-1x.75-PL-316L	TA7RWWMS-1x.75-PM-316L
1-1/2 x 1/4	2.375	1.375	2.875	TA7RWWMS-1.5x.25-PL-316L	TA7RWWMS-1.5x.25-PM-316L
1-1/2 x 3/8	2.375	1.375	2.875	TA7RWWMS-1.5x.375-PL-316L	TA7RWWMS-1.5x.375-PM-316L
1-1/2 x 1/2	2.375	1.375	2.875	TA7RWWMS-1.5x.5-PL-316L	TA7RWWMS-1.5x.5-PM-316L
1-1/2 x 3/4	2.375	1.375	2.875	TA7RWWMS-1.5x.75-PL-316L	TA7RWWMS-1.5x.75-PM-316L
1-1/2 x 1	2.375	1.375	2.875	TA7RWWMS-1.5x1-PL-316L	TA7RWWMS-1.5x1-PM-316L
2 x 1/4	2.875	1.625	3.375	TA7RWWMS-2x.25-PL-316L	TA7RWWMS-2x.25-PM-316L
2 x 3/8	2.875	1.625	3.375	TA7RWWMS-2x.375-PL-316L	TA7RWWMS-2x.375-PM-316L
2 x 1/2	2.875	1.625	3.375	TA7RWWMS-2x.5-PL-316L	TA7RWWMS-2x.5-PM-316L
2 x 3/4	2.875	1.625	3.375	TA7RWWMS-2x.75-PL-316L	TA7RWWMS-2x.75-PM-316L
2 x 1	2.875	1.625	3.375	TA7RWWMS-2x1-PL-316L	TA7RWWMS-2x1-PM-316L

Reducing Tees

TA7RWMMS – Automatic Tube Weld x Hygienic Clamp Joint Port & End Reducing Tee per DT-4.1.2-7/DT-4.1.2-9, cont'd

SIZE	A	B	C	PL / SF1 / 20 ra	PM / SF4 / 15 ra EP
2 x 1-1/2	2.875	1.625	3.375	TA7RWMMS-2x1.5-PL-316L	TA7RWMMS-2x1.5-PM-316L
2-1/2 x 1/4	3.125	1.875	3.625	TA7RWMMS-2.5x.25-PL-316L	TA7RWMMS-2.5x.25-PM-316L
2-1/2 x 3/8	3.125	1.875	3.625	TA7RWMMS-2.5x.375-PL-316L	TA7RWMMS-2.5x.375-PM-316L
2-1/2 x 1/2	3.125	1.875	3.625	TA7RWMMS-2.5x.5-PL-316L	TA7RWMMS-2.5x.5-PM-316L
2-1/2 x 3/4	3.125	1.875	3.625	TA7RWMMS-2.5x.75-PL-316L	TA7RWMMS-2.5x.75-PM-316L
2-1/2 x 1	3.125	1.875	3.625	TA7RWMMS-2.5x1-PL-316L	TA7RWMMS-2.5x1-PM-316L
2-1/2 x 1-1/2	3.125	1.875	3.625	TA7RWMMS-2.5x1.5-PL-316L	TA7RWMMS-2.5x1.5-PM-316L
2-1/2 x 2	3.125	1.875	3.625	TA7RWMMS-2.5x2-PL-316L	TA7RWMMS-2.5x2-PM-316L
3 x 1/4	3.375	2.125	3.875	TA7RWMMS-3x.25-PL-316L	TA7RWMMS-3x.25-PM-316L
3 x 3/8	3.375	2.125	3.875	TA7RWMMS-3x.375-PL-316L	TA7RWMMS-3x.375-PM-316L
3 x 1/2	3.375	2.125	3.875	TA7RWMMS-3x.5-PL-316L	TA7RWMMS-3x.5-PM-316L
3 x 3/4	3.375	2.125	3.875	TA7RWMMS-3x.75-PL-316L	TA7RWMMS-3x.75-PM-316L
3 x 1	3.375	2.125	3.875	TA7RWMMS-3x1-PL-316L	TA7RWMMS-3x1-PM-316L
3 x 1-1/2	3.375	2.125	3.875	TA7RWMMS-3x1.5-PL-316L	TA7RWMMS-3x1.5-PM-316L
3 x 2	3.375	2.125	3.875	TA7RWMMS-3x2-PL-316L	TA7RWMMS-3x2-PM-316L
3 x 2-1/2	3.375	2.125	3.875	TA7RWMMS-3x2.5-PL-316L	TA7RWMMS-3x2.5-PM-316L
4 x 1/4	4.125	2.625	4.750	TA7RWMMS-4x.25-PL-316L	TA7RWMMS-4x.25-PM-316L
4 x 3/8	4.125	2.625	4.750	TA7RWMMS-4x.375-PL-316L	TA7RWMMS-4x.375-PM-316L
4 x 1/2	4.125	2.625	4.750	TA7RWMMS-4x.5-PL-316L	TA7RWMMS-4x.5-PM-316L
4 x 3/4	4.125	2.625	4.750	TA7RWMMS-4x.75-PL-316L	TA7RWMMS-4x.75-PM-316L

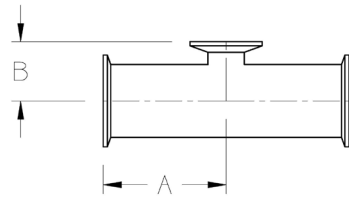
Reducing Tees

TA7RWMMS – Automatic Tube Weld x Hygienic Clamp Joint Port & End Reducing Tee per DT-4.1.2-7/DT-4.1.2-9, cont'd

SIZE	A	B	C	PL / SF1 / 20 ra	PM / SF4 / 15 ra EP
4 x 1	4.125	2.625	4.750	TA7RWMMS-4x1-PL-316L	TA7RWMMS-4x1-PM-316L
4 x 1-1/2	4.125	2.625	4.750	TA7RWMMS-4x1.5-PL-316L	TA7RWMMS-4x1.5-PM-316L
4 x 2	4.125	2.625	4.750	TA7RWMMS-4x2-PL-316L	TA7RWMMS-4x2-PM-316L
4 x 2-1/2	4.125	2.625	4.750	TA7RWMMS-4x2.5-PL-316L	TA7RWMMS-4x2.5-PM-316L
4 x 3	4.125	2.625	4.750	TA7RWMMS-4x3-PL-316L	TA7RWMMS-4x3-PM-316L
6 x 1/4	5.625	3.625	7.125	TA7RWMMS-6x.25-PL-316L	TA7RWMMS-6x.25-PM-316L
6 x 3/8	5.625	3.625	7.125	TA7RWMMS-6x.375-PL-316L	TA7RWMMS-6x.375-PM-316L
6 x 1/2	5.625	3.625	7.125	TA7RWMMS-6x.5-PL-316L	TA7RWMMS-6x.5-PM-316L
6 x 3/4	5.625	3.625	7.125	TA7RWMMS-6x.75-PL-316L	TA7RWMMS-6x.75-PM-316L
6 x 1	5.625	3.625	7.125	TA7RWMMS-6x1-PL-316L	TA7RWMMS-6x1-PM-316L
6 x 1-1/2	5.625	3.625	7.125	TA7RWMMS-6x1.5-PL-316L	TA7RWMMS-6x1.5-PM-316L
6 x 2	5.625	3.625	7.125	TA7RWMMS-6x2-PL-316L	TA7RWMMS-6x2-PM-316L
6 x 2-1/2	5.625	3.625	7.125	TA7RWMMS-6x2.5-PL-316L	TA7RWMMS-6x2.5-PM-316L
6 x 3	5.625	3.625	7.125	TA7RWMMS-6x3-PL-316L	TA7RWMMS-6x3-PM-316L
6 x 4	5.625	3.750	7.125	TA7RWMMS-6x4-PL-316L	TA7RWMMS-6x4-PM-316L

Need it customized? Contact us for a quote. Self draining styles available on request. Other angles & material types available upon request.

Reducing Tees



A7RMPS – Hygienic Clamp Joint Short Outlet Reducing Tee per DT-4.1.2-9

SIZE	A	B	PL / SF1 /20 ra	PM / SF4 /15 ra EP
3/8 x 1/4	2.250	1.000	A7RMPS-.375x.25-PL-316L	A7RMPS-.375x.25-PM-316L
1/2 x 1/4	2.375	1.000	A7RMPS-.5x.25-PL-316L	A7RMPS-.5x.25-PM-316L
1/2 x 3/8	2.375	1.000	A7RMPS-.5x.375-PL-316L	A7RMPS-.5x.375-PM-316L
3/4 x 1/4	2.500	1.000	A7RMPS-.75x.25-PL-316L	A7RMPS-.75x.25-PM-316L
3/4 x 3/8	2.500	1.000	A7RMPS-.75x.375-PL-316L	A7RMPS-.75x.375-PM-316L
3/4 x 1/2	2.500	1.000	A7RMPS-.75x.5-PL-316L	A7RMPS-.75x.5-PM-316L
1 x 1/4	2.625	1.125	A7RMPS-1x.25-PL-316L	A7RMPS-1x.25-PM-316L
1 x 3/8	2.625	1.125	A7RMPS-1x.375-PL-316L	A7RMPS-1x.375-PM-316L
1 x 1/2	2.625	1.125	A7RMPS-1x.5-PL-316L	A7RMPS-1x.5-PM-316L
1 x 3/4	2.625	1.125	A7RMPS-1x.75-PL-316L	A7RMPS-1x.75-PM-316L
1-1/2 x 1/4	2.875	1.375	A7RMPS-1.5x.25-PL-316L	A7RMPS-1.5x.25-PM-316L
1-1/2 x 3/8	2.875	1.375	A7RMPS-1.5x.375-PL-316L	A7RMPS-1.5x.375-PM-316L
1-1/2 x 1/2	2.875	1.375	A7RMPS-1.5x.5-PL-316L	A7RMPS-1.5x.5-PM-316L
1-1/2 x 3/4	2.875	1.375	A7RMPS-1.5x.75-PL-316L	A7RMPS-1.5x.75-PM-316L
1-1/2 x 1	2.875	1.375	A7RMPS-1.5x1-PL-316L	A7RMPS-1.5x1-PM-316L
2 x 1/4	3.375	1.625	A7RMPS-2x.25-PL-316L	A7RMPS-2x.25-PM-316L
2 x 3/8	3.375	1.625	A7RMPS-2x.375-PL-316L	A7RMPS-2x.375-PM-316L
2 x 1/2	3.375	1.625	A7RMPS-2x.5-PL-316L	A7RMPS-2x.5-PM-316L
2 x 3/4	3.375	1.625	A7RMPS-2x.75-PL-316L	A7RMPS-2x.75-PM-316L
2 x 1	3.375	1.625	A7RMPS-2x1-PL-316L	A7RMPS-2x1-PM-316L
2 x 1-1/2	3.375	1.625	A7RMPS-2x1.5-PL-316L	A7RMPS-2x1.5-PM-316L
2-1/2 x 1/4	3.625	1.875	A7RMPS-2.5x.25-PL-316L	A7RMPS-2.5x.25-PM-316L
2-1/2 x 3/8	3.625	1.875	A7RMPS-2.5x.375-PL-316L	A7RMPS-2.5x.375-PM-316L
2-1/2 x 1/2	3.625	1.875	A7RMPS-2.5x.5-PL-316L	A7RMPS-2.5x.5-PM-316L
2-1/2 x 3/4	3.625	1.875	A7RMPS-2.5x.75-PL-316L	A7RMPS-2.5x.75-PM-316L
2-1/2 x 1	3.625	1.875	A7RMPS-2.5x1-PL-316L	A7RMPS-2.5x1-PM-316L
2-1/2 x 1-1/2	3.625	1.875	A7RMPS-2.5x1.5-PL-316L	A7RMPS-2.5x1.5-PM-316L
2-1/2 x 2	3.625	1.875	A7RMPS-2.5x2-PL-316L	A7RMPS-2.5x2-PM-316L
3 x 1/4	3.875	2.125	A7RMPS-3x.25-PL-316L	A7RMPS-3x.25-PM-316L
3 x 3/8	3.875	2.125	A7RMPS-3x.375-PL-316L	A7RMPS-3x.375-PM-316L
3 x 1/2	3.875	2.125	A7RMPS-3x.5-PL-316L	A7RMPS-3x.5-PM-316L

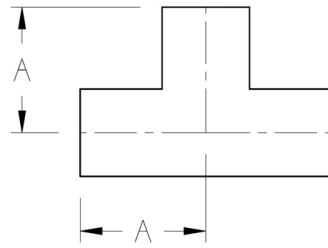
Reducing Tees

A7RMPS – Hygienic Clamp Joint Short Outlet Reducing Tee per DT-4.1.2-9, cont'd

SIZE	A	B	PL / SF1 /20 ra	PM / SF4 /15 ra EP
3 x 3/4	3.875	2.125	A7RMPS-3x.75-PL-316L	A7RMPS-3x.75-PM-316L
3 x 1	3.875	2.125	A7RMPS-3x1-PL-316L	A7RMPS-3x1-PM-316L
3 x 1-1/2	3.875	2.125	A7RMPS-3x1.5-PL-316L	A7RMPS-3x1.5-PM-316L
3 x 2	3.875	2.125	A7RMPS-3x2-PL-316L	A7RMPS-3x2-PM-316L
3 x 2-1/2	3.875	2.125	A7RMPS-3x2.5-PL-316L	A7RMPS-3x2.5-PM-316L
4 x 1/4	4.750	2.625	A7RMPS-4x.25-PL-316L	A7RMPS-4x.25-PM-316L
4 x 3/8	4.750	2.625	A7RMPS-4x.375-PL-316L	A7RMPS-4x.375-PM-316L
4 x 1/2	4.750	2.625	A7RMPS-4x.5-PL-316L	A7RMPS-4x.5-PM-316L
4 x 3/4	4.750	2.625	A7RMPS-4x.75-PL-316L	A7RMPS-4x.75-PM-316L
4 x 1	4.750	2.625	A7RMPS-4x1-PL-316L	A7RMPS-4x1-PM-316L
4 x 1-1/2	4.750	2.625	A7RMPS-4x1.5-PL-316L	A7RMPS-4x1.5-PM-316L
4 x 2	4.750	2.625	A7RMPS-4x2-PL-316L	A7RMPS-4x2-PM-316L
4 x 2-1/2	4.750	2.625	A7RMPS-4x2.5-PL-316L	A7RMPS-4x2.5-PM-316L
4 x 3	4.750	2.625	A7RMPS-4x3-PL-316L	A7RMPS-4x3-PM-316L
6 x 1/4	7.125	3.625	A7RMPS-6x.25-PL-316L	A7RMPS-6x.25-PM-316L
6 x 3/8	7.125	3.625	A7RMPS-6x.375-PL-316L	A7RMPS-6x.375-PM-316L
6 x 1/2	7.125	3.625	A7RMPS-6x.5-PL-316L	A7RMPS-6x.5-PM-316L
6 x 3/4	7.125	3.625	A7RMPS-6x.75-PL-316L	A7RMPS-6x.75-PM-316L
6 x 1	7.125	3.625	A7RMPS-6x1-PL-316L	A7RMPS-6x1-PM-316L
6 x 1-1/2	7.125	3.625	A7RMPS-6x1.5-PL-316L	A7RMPS-6x1.5-PM-316L
6 x 2	7.125	3.625	A7RMPS-6x2-PL-316L	A7RMPS-6x2-PM-316L
6 x 2-1/2	7.125	3.625	A7RMPS-6x2.5-PL-316L	A7RMPS-6x2.5-PM-316L
6 x 3	7.125	3.625	A7RMPS-6x3-PL-316L	A7RMPS-6x3-PM-316L
6 x 4	7.125	3.750	A7RMPS-6x4-PL-316L	A7RMPS-6x4-PM-316L

Need it customized? Contact us for a quote. Self draining styles available on request. Other angles & material types available upon request.

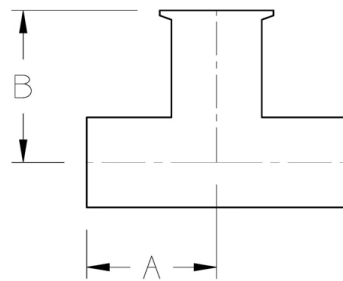
Tees



TA7WWW – Automatic Tube Weld Straight Tee per DT-4.1.2-1

SIZE	A	PL / SF1 / 20 ra	PM / SF4 / 15 ra EP
1/4	1.750	TA7WWW-.25-PL-316L	TA7WWW-.25-PM-316L
3/8	1.750	TA7WWW-.375-PL-316L	TA7WWW-.375-PM-316L
1/2	1.875	TA7WWW-.5-PL-316L	TA7WWW-.5-PM-316L
3/4	2.000	TA7WWW-.75-PL-316L	TA7WWW-.75-PM-316L
1	2.125	TA7WWW-1-PL-316L	TA7WWW-1-PM-316L
1 1/2	2.375	TA7WWW-1.5-PL-316L	TA7WWW-1.5-PM-316L
2	2.875	TA7WWW-2-PL-316L	TA7WWW-2-PM-316L
2 1/2	3.125	TA7WWW-2.5-PL-316L	TA7WWW-2.5-PM-316L
3	3.375	TA7WWW-3-PL-316L	TA7WWW-3-PM-316L
4	4.125	TA7WWW-4-PL-316L	TA7WWW-4-PM-316L
6	5.625	TA7WWW-6-PL-316L	TA7WWW-6-PM-316L

Need it customized? Contact us for a quote. Other angles & material types available on request.

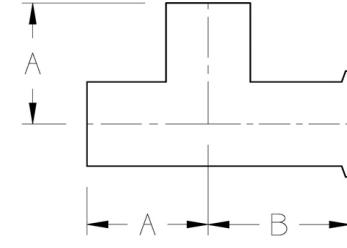


TA7WWM – Automatic Tube Weld x Hygienic Clamp Joint Port Straight Tee per DT-4.1.2-1/DT-4.1.2-4

SIZE	A	B	PL / SF1 / 20 ra	PM / SF4 / 15 ra EP
1/4	1.750	2.250	TA7WWM-.25-PL-316L	TA7WWM-.25-PM-316L
3/8	1.750	2.250	TA7WWM-.375-PL-316L	TA7WWM-.375-PM-316L
1/2	1.875	2.375	TA7WWM-.5-PL-316L	TA7WWM-.5-PM-316L
3/4	2.000	2.500	TA7WWM-.75-PL-316L	TA7WWM-.75-PM-316L
1 type A	2.125	2.625	TA7WWM-1A-PL-316L	TA7WWM-1A-PM-316L
1 type B	2.125	2.625	TA7WWM-1-PL-316L	TA7WWM-1-PM-316L
1 1/2	2.375	2.875	TA7WWM-1.5-PL-316L	TA7WWM-1.5-PM-316L
2	2.875	3.375	TA7WWM-2-PL-316L	TA7WWM-2-PM-316L
2 1/2	3.125	3.625	TA7WWM-2.5-PL-316L	TA7WWM-2.5-PM-316L
3	3.375	3.875	TA7WWM-3-PL-316L	TA7WWM-3-PM-316L
4	4.125	4.750	TA7WWM-4-PL-316L	TA7WWM-4-PM-316L
6	5.625	7.125	TA7WWM-6-PL-316L	TA7WWM-6-PM-316L

Need it customized? Contact us for a quote. Other angles & material types available on request.

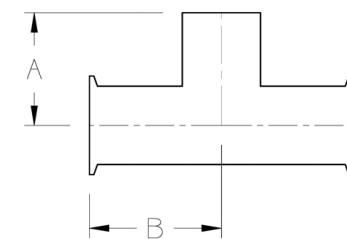
Tees



TA7WMW – Automatic Tube Weld x Hygienic Clamp Joint End Straight Tee per DT-4.1.2-1/DT-4.1.2-4

SIZE	A	B	PL / SF1 / 20 ra	PM / SF4 / 15 ra EP
1/4	1.750	2.250	TA7WMW-.25-PL-316L	TA7WMW-.25-PM-316L
3/8	1.750	2.250	TA7WMW-.375-PL-316L	TA7WMW-.375-PM-316L
1/2	1.875	2.375	TA7WMW-.5-PL-316L	TA7WMW-.5-PM-316L
3/4	2.000	2.500	TA7WMW-.75-PL-316L	TA7WMW-.75-PM-316L
1 type A	2.125	2.625	TA7WMW-1A-PL-316L	TA7WMW-1A-PM-316L
1 type B	2.125	2.625	TA7WMW-1-PL-316L	TA7WMW-1-PM-316L
1 1/2	2.375	2.875	TA7WMW-1.5-PL-316L	TA7WMW-1.5-PM-316L
2	2.875	3.375	TA7WMW-2-PL-316L	TA7WMW-2-PM-316L
2 1/2	3.125	3.625	TA7WMW-2.5-PL-316L	TA7WMW-2.5-PM-316L
3	3.375	3.875	TA7WMW-3-PL-316L	TA7WMW-3-PM-316L
4	4.125	4.750	TA7WMW-4-PL-316L	TA7WMW-4-PM-316L
6	5.625	7.125	TA7WMW-6-PL-316L	TA7WMW-6-PM-316L

Need it customized? Contact us for a quote. Other angles & material types available on request.

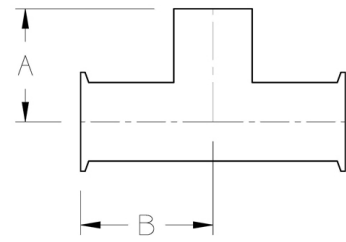


TA7MMW – Automatic Tube Weld x Hygienic Clamp Joint Ends Straight Tee per DT-4.1.2-1/DT-4.1.2-4

SIZE	A	B	PL / SF1 / 20 ra	PM / SF4 / 15 ra EP
1/4	1.750	2.250	TA7MMW-.25-PL-316L	TA7MMW-.25-PM-316L
3/8	1.750	2.250	TA7MMW-.375-PL-316L	TA7MMW-.375-PM-316L
1/2	1.875	2.375	TA7MMW-.5-PL-316L	TA7MMW-.5-PM-316L
3/4	2.000	2.500	TA7MMW-.75-PL-316L	TA7MMW-.75-PM-316L
1 type A	2.125	2.625	TA7MMW-1A-PL-316L	TA7MMW-1A-PM-316L
1 type B	2.125	2.625	TA7MMW-1-PL-316L	TA7MMW-1-PM-316L
1 1/2	2.375	2.875	TA7MMW-1.5-PL	TA7MMW-1.5-PM-316L
2	2.875	3.375	TA7MMW-2-PL-316L	TA7MMW-2-PM-316L
2 1/2	3.125	3.625	TA7MMW-2.5-PL-316L	TA7MMW-2.5-PM-316L
3	3.375	3.875	TA7MMW-3-PL-316L	TA7MMW-3-PM-316L
4	4.125	4.750	TA7MMW-4-PL-316L	TA7MMW-4-PM-316L
6	5.625	7.125	TA7MMW-6-PL-316L	TA7MMW-6-PM-316L

Need it customized? Contact us for a quote. Other angles & material types available on request.

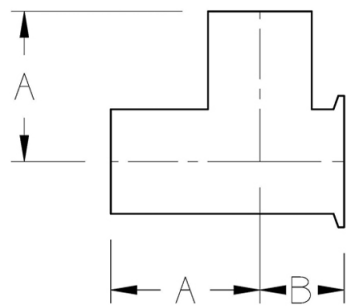
Tees



TA7WMM – Automatic Tube Weld x Hygienic Clamp Joint Port & End Straight Tee per DT-41.2-1/DT-4.1.2-4

SIZE	A	B	PL / SF1 / 20 ra	PM / SF4 / 15 ra EP
1/4	1.750	2.250	TA7WMM-.25-PL-316L	TA7WMM-.25-PM-316L
3/8	1.750	2.250	TA7WMM-.375-PL-316L	TA7WMM-.375-PM-316L
1/2	1.875	2.375	TA7WMM-.5-PL-316L	TA7WMM-.5-PM-316L
3/4	2.000	2.500	TA7WMM-.75-PL-316L	TA7WMM-.75-PM-316L
1 type A	2.125	2.625	TA7WMM-1A-PL-316L	TA7WMM-1A-PM-316L
1 type B	2.125	2.625	TA7WMM-1-PL-316L	TA7WMM-1-PM-316L
1 1/2	2.375	2.875	TA7WMM-1.5-PL-316L	TA7WMM-1.5-PM-316L
2	2.875	3.375	TA7WMM-2-PL-316L	TA7WMM-2-PM-316L
2 1/2	3.125	3.625	TA7WMM-2.5-PL-316L	TA7WMM-2.5-PM-316L
3	3.375	3.875	TA7WMM-3-PL-316L	TA7WMM-3-PM-316L
4	4.125	4.750	TA7WMM-4-PL-316L	TA7WMM-4-PM-316L
6	5.625	7.125	TA7WMM-6-PL-316L	TA7WMM-6-PM-316L

Need it customized? Contact us for a quote. Other angles & material types available on request.

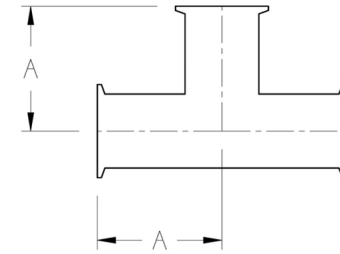


TA7WMSW – Automatic Tube Weld x Hygienic Clamp Joint Short Outlet Run Straight Tee per DT-4.1.2-3

SIZE	A	B	PL / SF1 / 20 ra	PM / SF4 / 15 ra EP
1/4	1.750	0.875	TA7WMSW-.25-PL-316L	TA7WMSW-.25-PM-316L
3/8	1.750	0.875	TA7WMSW-.375-PL-316L	TA7WMSW-.375-PM-316L
1/2	1.875	0.875	TA7WMSW-.5-PL-316L	TA7WMSW-.5-PM-316L
3/4	2.000	1.000	TA7WMSW-.75-PL-316L	TA7WMSW-.75-PM-316L
1 type A	2.125	1.125	TA7WMSW-1A-PL-316L	TA7WMSW-1A-PM-316L
1 type B	2.125	1.125	TA7WMSW-1-PL-316L	TA7WMSW-1-PM-316L
1 1/2	2.375	1.375	TA7WMSW-1.5-PL-316L	TA7WMSW-1.5-PM-316L
2	2.875	1.625	TA7WMSW-2-PL-316L	TA7WMSW-2-PM-316L
2 1/2	3.125	1.875	TA7WMSW-2.5-PL-316L	TA7WMSW-2.5-PM-316L
3	3.375	2.125	TA7WMSW-3-PL-316L	TA7WMSW-3-PM-316L
4	4.125	2.750	TA7WMSW-4-PL-316L	TA7WMSW-4-PM-316L
6	5.625	4.625	TA7WMSW-6-PL-316L	TA7WMSW-6-PM-316L

Need it customized? Contact us for a quote. Other angles & material types available on request.

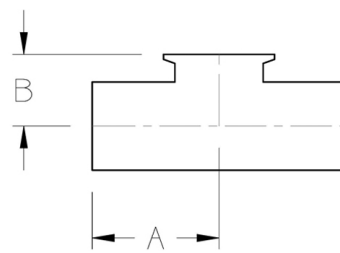
Tees



A7MP – Hygienic Clamp Joint Straight Tee per DT-4.1.2-4

SIZE	A	PL / SF1 / 20 ra	PM / SF4 / 15 ra EP
1/4	2.250	A7MP-.25-PL-316L	A7MP-.25-PM-316L
3/8	2.250	A7MP-.375-PL-316L	A7MP-.375-PM-316L
1/2	2.375	A7MP-.5-PL-316L	A7MP-.5-PM-316L
3/4	2.500	A7MP-.75-PL-316L	A7MP-.75-PM-316L
1 type A	2.625	A7MP-1A-PL-316L	A7MP-1A-PM-316L
1 type B	2.625	A7MP-1-PL-316L	A7MP-1-PM-316L
1 1/2	2.875	A7MP-1.5-PL-316L	A7MP-1.5-PM-316L
2	3.375	A7MP-2-PL-316L	A7MP-2-PM-316L
2 1/2	3.625	A7MP-2.5-PL-316L	A7MP-2.5-PM-316L
3	3.875	A7MP-3-PL-316L	A7MP-3-PM-316L
4	4.750	A7MP-4-PL-316L	A7MP-4-PM-316L
6	7.125	A7MP-6-PL-316L	A7MP-6-PM-316L

Need it customized? Contact us for a quote. Other angles & material types available on request.

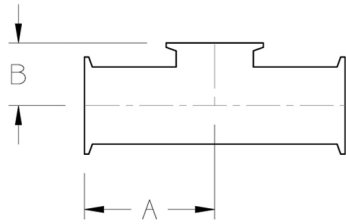


TA7WWMS – Automatic Tube Weld x Hygienic Clamp Joint Short Outlet Straight Tee per DT-4.1.2-2

SIZE	A	B	PL / SF1 / 20 ra	PM / SF4 / 15 ra EP
1/4	1.750	1.000	TA7WWMS-.25-PL-316L	TA7WWMS-.25-PM-316L
3/8	1.750	1.000	TA7WWMS-.375-PL-316L	TA7WWMS-.375-PM-316L
1/2	1.875	1.125	TA7WWMS-.5-PL-316L	TA7WWMS-.5-PM-316L
3/4	2.000	1.125	TA7WWMS-.75-PL-316L	TA7WWMS-.75-PM-316L
1 type A	2.125	1.125	TA7WWMS-1A-PL-316L	TA7WWMS-1A-PM-316L
1 type B	2.125	1.125	TA7WWMS-1-PL-316L	TA7WWMS-1-PM-316L
1 1/2	2.375	1.375	TA7WWMS-1.5-PL-316L	TA7WWMS-1.5-PM-316L
2	2.875	1.625	TA7WWMS-2-PL-316L	TA7WWMS-2-PM-316L
2 1/2	3.125	1.875	TA7WWMS-2.5-PL-316L	TA7WWMS-2.5-PM-316L
3	3.375	2.125	TA7WWMS-3-PL-316L	TA7WWMS-3-PM-316L
4	4.125	2.750	TA7WWMS-4-PL-316L	TA7WWMS-4-PM-316L
6	5.625	4.625	TA7WWMS-6-PL-316L	TA7WWMS-6-PM-316L

Need it customized? Contact us for a quote. Other angles & material types available on request.

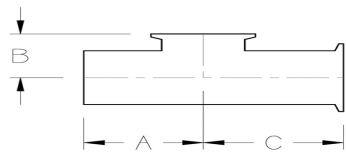
Tees



A7MPS – Hygienic Clamp Joint Short Outlet Straight Tee per DT-4.1.2-5

SIZE	A	B	PL / SF1 / 20 ra	PM / SF4 / 15 ra EP
1/4	2.250	1.000	A7MPS-.25-PL-316L	A7MPS-.25-PM-316L
3/8	2.250	1.000	A7MPS-.375-PL-316L	A7MPS-.375-PM-316L
1/2	2.375	1.000	A7MPS-.5-PL-316L	A7MPS-.5-PM-316L
3/4	2.500	1.125	A7MPS-.75-PL-316L	A7MPS-.75-PM-316L
1 type A	2.625	1.125	A7MPS-1A-PL-316L	A7MPS-1A-PM-316L
1 type B	2.625	1.125	A7MPS-1-PL-316L	A7MPS-1-PM-316L
1 1/2	2.875	1.375	A7MPS-1.5-PL-316L	A7MPS-1.5-PM-316L
2	3.375	1.625	A7MPS-2-PL-316L	A7MPS-2-PM-316L
2 1/2	3.625	1.875	A7MPS-2.5-PL-316L	A7MPS-2.5-PM-316L
3	3.875	2.125	A7MPS-3-PL-316L	A7MPS-3-PM-316L
4	4.750	2.750	A7MPS-4-PL-316L	A7MPS-4-PM-316L
6	7.125	4.625	A7MPS-6-PL-316L	A7MPS-6-PM-316L

Need it customized? Contact us for a quote. Other angles & material types available on request.

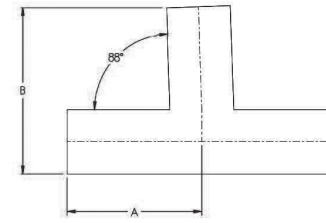


TA7WMMS – Automatic Tube Weld x Hygienic Clamp Joint End & Short Outlet Straight Tee per DT-4.1.2.2/Dt-4.1.2-5

SIZE	A	B	C	PL / SF1 / 20 ra	PL / SF1 / 20 ra EP
1/4	1.750	1.000	2.250	TA7WMMS-.25-PL-316L	TA7WMMS-.25-PM-316L
3/8	1.750	1.000	2.250	TA7WMMS-.375-PL-316L	TA7WMMS-.375-PM-316L
1/2	1.875	1.000	2.375	TA7WMMS-.5-PL-316L	TA7WMMS-.5-PM-316L
3/4	2.000	1.125	2.375	TA7WMMS-.75-PL-316L	TA7WMMS-.75-PM-316L
1 type A	2.125	1.125	2.625	TA7WMMS-1A-PL-316L	TA7WMMS-1A-PM-316L
1 type B	2.125	1.125	2.625	TA7WMMS-1-PL-316L	TA7WMMS-1-PM-316L
1 1/2	2.375	1.375	2.875	TA7WMMS-1.5-PL-316L	TA7WMMS-1.5-PM-316L
2	2.875	1.625	3.375	TA7WMMS-2-PL-316L	TA7WMMS-2-PM-316L
2 1/2	3.125	1.875	3.625	TA7WMMS-2.5-PL-316L	TA7WMMS-2.5-PM-316L
3	3.375	2.125	3.875	TA7WMMS-3-PL-316L	TA7WMMS-3-PM-316L
4	4.125	2.750	4.750	TA7WMMS-4-PL-316L	TA7WMMS-4-PM-316L
6	5.625	4.625	7.125	TA7WMMS-6-PL-316L	TA7WMMS-6-PM-316L

Need it customized? Contact us for a quote. Other angles and materials available on request.

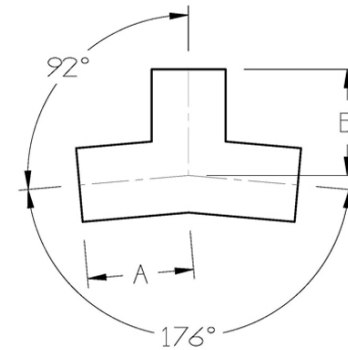
Tees



TA88WWW – Automatic Tube Weld Straight Tee with 88 deg Port per DT-4.1.2.1

SIZE	A	B	PL / SF1 / 20 ra	PM / SF4 / 15 ra EP
1/4	1.750	1.750	TA88WWW-.25-PL-316L	TA88WWW-.25-PM-316L
3/8	1.750	1.750	TA88WWW-.375-PL-316L	TA88WWW-.375-PM-316L
1/2	1.875	1.875	TA88WWW-.5-PL-316L	TA88WWW-.5-PM-316L
3/4	2.000	2.000	TA88WWW-.75-PL-316L	TA88WWW-.75-PM-316L
1	2.125	2.200	TA88WWW-1-PL-316L	TA88WWW-1-PM-316L
1 1/2	2.375	2.460	TA88WWW-1.5-PL-316L	TA88WWW-1.5-PM-316L
2	2.875	3.015	TA88WWW-2-PL-316L	TA88WWW-2-PM-316L
2 1/2	3.125	3.300	TA88WWW-2.5-PL-316L	TA88WWW-2.5-PM-316L
3	3.375	3.540	TA88WWW-3-PL-316L	TA88WWW-3-PM-316L
4	4.125	4.290	TA88WWW-4-PL-316L	TA88WWW-4-PM-316L
6	5.625	5.830	TA88WWW-6-PL-316L	TA88WWW-6-PM-316L

Need it customized? Contact us for a quote. Other angles & material types available on request.

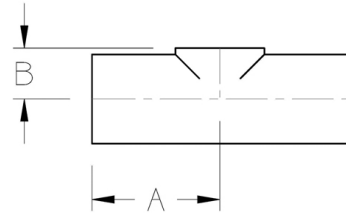


TA176WWW – Automatic Tube Weld Straight Tee with 176 deg Run per DT-4.1.2.1

SIZE	A(REF)	B	PL / SF1 / 20 ra	PM / SF4 / 15 ra EP
1/4	1.741	1.750	TA176WWW-.25-PL-316L	TA176WWW-.25-PM-316L
3/8	1.737	1.750	TA176WWW-.375-PL-316L	TA176WWW-.375-PM-316L
1/2	1.858	1.875	TA176WWW-.5-PL-316L	TA176WWW-.5-PM-316L
3/4	1.974	2.000	TA176WWW-.75-PL-316L	TA176WWW-.75-PM-316L
1	1.090	2.125	TA176WWW-1-PL-316L	TA176WWW-1-PM-316L
1 1/2	2.323	2.375	TA176WWW-1.5-PL-316L	TA176WWW-1.5-PM-316L
2	2.803	2.875	TA176WWW-2-PL-316L	TA176WWW-2-PM-316L
2 1/2	3.036	3.125	TA176WWW-2.5-PL-316L	TA176WWW-2.5-PM-316L
3	3.270	3.375	TA176WWW-3-PL-316L	TA176WWW-3-PM-316L
4	3.985	4.125	TA176WWW-4-PL-316L	TA176WWW-4-PM-316L
6	4.416	5.625	TA176WWW-6-PL-316L	TA176WWW-6-PM-316L

Need it customized? Contact us for a quote. Other angles & material types available on request.

Tees



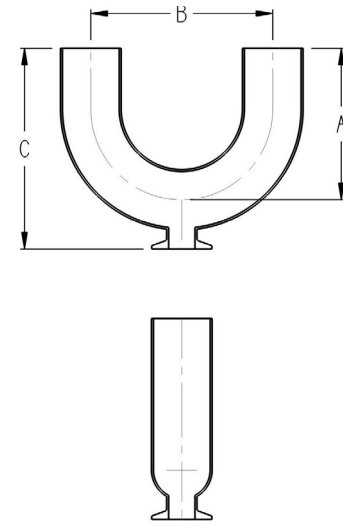
TA7BB – Automatic Tube Weld Straight Tee Body Blank

SIZE	A	B (MIN)	PX / SFO / MILL
1/4	NA	NA	TA7BB-.25-PX-316L
3/8	NA	NA	TA7BB-.375-PX-316L
1/2	1.950	0.275	TA7BB-.5-PX-316L
3/4	2.075	0.435	TA7BB-.75-PX-316L
1	2.200	0.575	TA7BB-1-PX-316L
1 1/2	2.450	0.850	TA7BB-1.5-PX-316L
2	2.950	1.165	TA7BB-2-PX-316L
2 1/2	3.225	1.400	TA7BB-2.5-PX-316L
3	3.475	1.687	TA7BB-3-PX-316L
4	4.225	2.200	TA7BB-4-PX-316L
6	6.375	3.250	TA7BB-6-PX-316L

Need it customized? Contact us for a quote. Other angles & material types available on request.



Use-Points

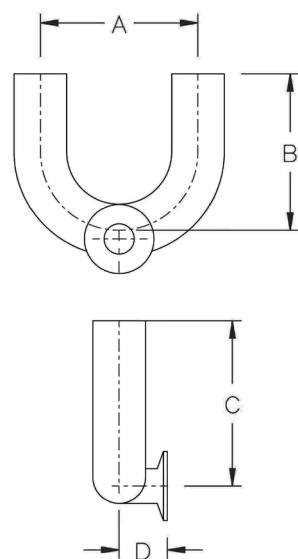


TA2UBWWM – Automatic Tube Weld Bottom Outlet Use-Point per DT-4.1.1-7

SIZE	A	B	C	PL / SF1 / 20 ra	PM / SF4 / 15 ra EP
3/4 x 1/2	3	4 1/2	4.00	TA2UBWWM-.75x.5-PL-316L	TA2UBWWM-.75x.5-PM-316L
1 x 1/2	3	3	4.125	TA2UBWWM-1x.5-PL-316L	TA2UBWWM-1x.5-PM-316L
1 x 3/4	3	3	4.125	TA2UBWWM-1x.75-PL-316L	TA2UBWWM-1x.75-PM-316L
1 1/2 x 1/2	4 1/2	4 1/2	5.875	TA2UBWWM-1.5x.5-PL-316L	TA2UBWWM-1.5x.5-PM-316L
1 1/2 x 3/4	4 1/2	4 1/2	5.875	TA2UBWWM-1.5x.75-PL-316L	TA2UBWWM-1.5x.75-PM-316L
1 1/2 x 1	4 1/2	4 1/2	5.875	TA2UBWWM-1.5x1-PL-316L	TA2UBWWM-1.5x1-PM-316L
2 x 1/2	5	6	6.625	TA2UBWWM-2x.5-PL-316L	TA2UBWWM-2x.5-PM-316L
2 x 3/4	5	6	6.625	TA2UBWWM-2x.75-PL-316L	TA2UBWWM-2x.75-PM-316L
2 x 1	5	6	6.625	TA2UBWWM-2x1-PL-316L	TA2UBWWM-2x1-PM-316L
2 x 1 1/2	5	6	6.625	TA2UBWWM-2x1.5-PL-316L	TA2UBWWM-2x1.5-PM-316L
2 1/2 x 1/2	5 3/4	7 1/2	7.625	TA2UBWWM-2.5x.5-PL-316L	TA2UBWWM-2.5x.5-PM-316L
2 1/2 x 3/4	5 3/4	7 1/2	7.625	TA2UBWWM-2.5x.75-PL-316L	TA2UBWWM-2.5x.75-PM-316L
2 1/2 x 1	5 3/4	7 1/2	7.625	TA2UBWWM-2.5x1-PL-316L	TA2UBWWM-2.5x1-PM-316L
2 1/2 x 1 1/2	5 3/4	7 1/2	7.625	TA2UBWWM-2.5x1.5-PL-316L	TA2UBWWM-2.5x1.5-PM-316L
2 1/2 x 2	5 3/4	7 1/2	7.625	TA2UBWWM-2.5x2-PL-316L	TA2UBWWM-2.5x2-PM-316L
3 x 1/2	6 1/2	9	8.625	TA2UBWWM-3x.5-PL-316L	TA2UBWWM-3x.5-PM-316L
3 x 3/4	6 1/2	9	8.625	TA2UBWWM-3x.75-PL-316L	TA2UBWWM-3x.75-PM-316L
3 x 1	6 1/2	9	8.625	TA2UBWWM-3x1-PL-316L	TA2UBWWM-3x1-PM-316L
3 x 1/2	6 1/2	9	8.625	TA2UBWWM-3x1.5-PL-316L	TA2UBWWM-3x1.5-PM-316L
3 x 2	6 1/2	9	8.625	TA2UBWWM-3x2-PL-316L	TA2UBWWM-3x2-PM-316L
3 x 2 1/2	6 1/2	9	8.625	TA2UBWWM-3x2.5-PL-316L	TA2UBWWM-3x2.5-PM-316L
4 x 1/2	8 1/2	12	11.125	TA2UBWWM-4x.5-PL-316L	TA2UBWWM-4x.5-PM-316L
4 x 3/4	8 1/2	12	11.125	TA2UBWWM-4x.75-PL-316L	TA2UBWWM-4x.75-PM-316L
4 x 1	8 1/2	12	11.125	TA2UBWWM-4x1-PL-316L	TA2UBWWM-4x1-PM-316L
4 x 1 1/2	8 1/2	12	11.125	TA2UBWWM-4x1.5-PL-316L	TA2UBWWM-4x1.5-PM-316L
4 x 2	8 1/2	12	11.125	TA2UBWWM-4x2-PL-316L	TA2UBWWM-4x2-PM-316L
4 x 2 1/2	8 1/2	12	11.125	TA2UBWWM-4x2.5-PL-316L	TA2UBWWM-4x2.5-PM-316L
4 x 3	8 1/2	12	11.125	TA2UBWWM-4x3-PL-316L	TA2UBWWM-4x3-PM-316L

Need it customized? Contact us for a quote. Can be ordered in other material types.

Use-Points



TA2USWWM – Automatic Tube Weld Side Outlet Use-Point per DT-4.1.1-7

SIZE	A	B	C	D	PL / SF1 / 20 ra	PM / SF4 / 15ra EP
3/4 x 1/2	3	4 1/2	3 1/8	1 1/8	TA2USWWM-.75x.5-PL-316L	TA2USWWM-.75x.5-PM-316L
1 x 1/2	3	3	3 1/4	1 1/4	TA2USWWM-1x.5-PL-316L	TA2USWWM-1x.5-PM-316L
1 x 3/4	3	3	3 1/8	1 1/4	TA2USWWM-1x.75-PL-316L	TA2USWWM-1x.75-PM-316L
1 1/2 x 1/2	4 1/2	4 1/2	5	1 1/2	TA2USWWM-1.5x.5-PL-316L	TA2USWWM-1.5x.5-PM-316L
1 1/2 x 3/4	4 1/2	4 1/2	4 7/8	1 1/2	TA2USWWM-1.5x.75-PL-316L	TA2USWWM-1.5x.75-PM-316L
1 1/2 x 1	4 1/2	4 1/2	4 3/4	1 1/2	TA2USWWM-1.5x1-PL-316L	TA2USWWM-1.5x1-PM-316L
2 x 1/2	5	6	5 3/4	1 3/4	TA2USWWM-2x.5-PL-316L	TA2USWWM-2x.5-PM-316L
2 x 3/4	5	6	5 5/8	1 3/4	TA2USWWM-2x.75-PL-316L	TA2USWWM-2x.75-PM-316L
2 x 1	5	6	5 1/2	1 3/4	TA2USWWM-2x1-PL-316L	TA2USWWM-2x1-PM-316L
2 x 1 1/2	5	6	5 1/4	1 3/4	TA2USWWM-2x1.5-PL-316L	TA2USWWM-2x1.5-PM-316L
2 1/2 x 1/2	5 3/4	7 1/2	6 3/4	2	TA2USWWM-2.5x.5-PL-316L	TA2USWWM-2.5x.5-PM-316L
2 1/2 x 3/4	5 3/4	7 1/2	6 5/8	2	TA2USWWM-2.5x.75-PL-316L	TA2USWWM-2.5x.75-PM-316L
2 1/2 x 1	5 3/4	7 1/2	6 1/2	2	TA2USWWM-2.5x1-PL-316L	TA2USWWM-2.5x1-PM-316L
2 1/2 x 1 1/2	5 3/4	7 1/2	6 1/4	2	TA2USWWM-2.5x1.5-PL-316L	TA2USWWM-2.5x1.5-PM-316L
2 1/2 x 2	5 3/4	7 1/2	6	2	TA2USWWM-2.5x2-PL-316L	TA2USWWM-2.5x2-PM-316L
3 x 1/2	6 1/2	9	7 3/4	2 1/4	TA2USWWM-3x.5-PL-316L	TA2USWWM-3x.5-PM-316L
3 x 3/4	6 1/2	9	7 5/8	2 1/4	TA2USWWM-3x.75-PL-316L	TA2USWWM-3x.75-PM-316L
3 x 1	6 1/2	9	7 1/2	2 1/4	TA2USWWM-3x1-PL-316L	TA2USWWM-3x1-PM-316L
3 x 1 1/2	6 1/2	9	7 1/4	2 1/4	TA2USWWM-3x1.5-PL-316L	TA2USWWM-3x1.5-PM-316L
3 x 2	6 1/2	9	7	2 1/4	TA2USWWM-3x2-PL-316L	TA2USWWM-3x2-PM-316L

Use-Points

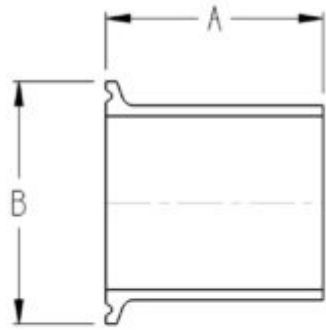
TA2USWWM – Automatic Tube Weld Side Outlet Use-Point per DT-4.1.1-7, cont'd

SIZE	A	B	C	D	PL / SF1 / 20 ra	PM / SF4 / 15ra EP
3 x 2 1/2	6 1/2	9	6 3/4	2 1/4	TA2USWWM-3x2.5-PL-316L	TA2USWWM-3x2.5-PM-316L
4 x 1/2	8 1/2	12	10 1/8	2 3/4	TA2USWWM-4x.5-PL-316L	TA2USWWM-4x.5-PM-316L
4 x 3/4	8 1/2	12	10 1/8	2 3/4	TA2USWWM-4x.75-PL-316L	TA2USWWM-4x.75-PM-316L
4 x 1	8 1/2	12	10	2 3/4	TA2USWWM-4x1-PL-316L	TA2USWWM-4x1-PM-316L
4 x 1 1/2	8 1/2	12	9 3/4	2 3/4	TA2USWWM-4x1.5-PL-316L	TA2USWWM-4x1.5-PM-316L
4 x 2	8 1/2	12	9 1/2	2 3/4	TA2USWWM-4x2-PL-316L	TA2USWWM-4x2-PM-316L
4 x 2 1/2	8 1/2	12	9 1/4	2 3/4	TA2USWWM-4x2.5-PL-316L	TA2USWWM-4x2.5-PM-316L
4 x 3	8 1/2	12	9	2 3/4	TA2USWWM-4x3-PL-316L	TA2USWWM-4x3-PM-316L

Need it customized? Contact us for a quote. Can be ordered in other material types.



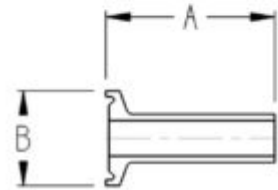
Weld Ferrule



TA14AM7 – Automatic Tube Weld Long Ferrule per DT-4.1.4-1

SIZE	A	B	PL / SF1 / 20 ra	PM / SF4 / 15ra EP
1/4	1.750	.984	TA14AM7-.25-PL-316L	TA14AM7-.25-PM-316L
3/8	1.750	.984	TA14AM7-.375-PL-316L	TA14AM7-.375-PM-316L
1/2	1.750	.984	TA14AM7-.5-PL-316L	TA14AM7-.5-PM-316L
3/4	1.750	.984	TA14AM7-.75-PL-316L	TA14AM7-.75-PM-316L
1 TYPE A	1.750	1.339	TA14AM7-1A-PL-316L	TA14AM7-1A-PM-316L
1 TYPE B	1.750	1.984	TA14AM7-1-PL-316L	TA14AM7-1-PM-316L
1-1/2	1.750	1.984	TA14AM7-1.5-PL-316L	TA14AM7-1.5-PM-316L
2	2.250	2.516	TA14AM7-2-PL-316L	TA14AM7-2-PM-316L
2 1/2	2.250	3.047	TA14AM7-2.5-PL-316L	TA14AM7-2.5-PM-316L
3	2.250	3.579	TA14AM7-3-PL-316L	TA14AM7-3-PM-316L
4	2.250	4.682	TA14AM7-4-PL-316L	TA14AM7-4-PM-316L
6	3.000	6.570	TA14AM7-6-PL-316L	TA14AM7-6-PM-316L

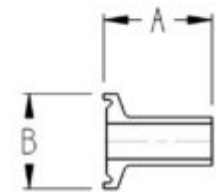
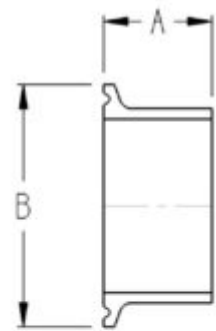
Need it customized? Contact us for a quote. Can be ordered in other material types.



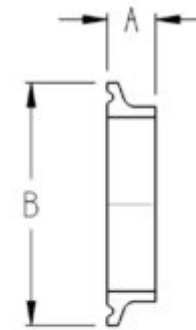
A14AM7 – Automatic Tube Weld Ferrule per DT-4.1.4-1

SIZE	A	B	PT / SF3 / 30 ra	PL / SF1 / 20 ra	PM / SF4 / 15ra EP
1/4	1.125	.984	A14AM7-.25-PT-316L	A14AM7-.25-PL-316L	A14AM7-.25-PM-316L
3/8	1.125	.984	A14AM7-.375-PT-316L	A14AM7-.375-PL-316L	A14AM7-.375-PM-316L
1/2	1.125	.984	A14AM7-.5-PT-316L	A14AM7-.5-PL-316L	A14AM7-.5-PM-316L
3/4	1.125	.984	A14AM7-.75-PT-316L	A14AM7-.75-PL-316L	A14AM7-.75-PM-316L
1 A	1.125	1.339	A14AM7-1A-PT-316L	A14AM7-1A-PL-316L	A14AM7-1A-PM-316L
1 B	1.125	1.984	A14AM7-1-PT-316L	A14AM7-1-P-316L	A14AM7-1-PM-316L
1 1/2	1.125	1.984	A14AM7-1.5-PT-316L	A14AM7-1.5-PL-316L	A14AM7-1.5-PM-316L
2	1.125	2.516	A14AM7-2-PT-316L	A14AM7-2-PL-316L	A14AM7-2-PM-316L
2 1/2	1.125	3.047	A14AM7-2.5-PT-316L	A14AM7-2.5-PL-316L	A14AM7-2.5-PM-316L
3	1.125	3.579	A14AM7-3-PT-316L	A14AM7-3-PL-316L	A14AM7-3-PM-316L
4	1.125	4.682	A14AM7-4-PT-316L	A14AM7-4-PL-316L	A14AM7-4-PM-316L
6	1.500	6.570	A14AM7-6-PT-316L	A14AM7-6-PL-316L	A14AM7-6-PM-316L

Need it customized? Contact us for a quote. Can be ordered in other material types.



Weld Ferrule



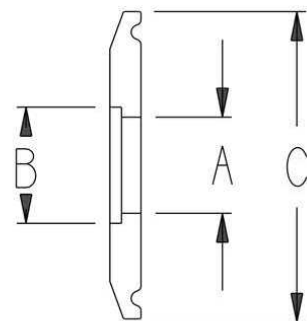
A14WMP – Automatic Tube Weld Short Ferrule per DT-4.1.4-1

SIZE	A	B	PX / SF0 / Mill	PL / SF1 / 20 ra	PM / SF4 / 15ra EP
1/4	.500	.984	A14WMP-.25-PX-316L	A14WMP-.25-PL-316L	A14WMP-.25-PM-316L
3/8	.500	.984	A14WMP-.375-PX-316L	A14WMP-.375-PL-316L	A14WMP-.375-PM-316L
1/2	.500	.984	A14WMP-.5-PX-316L	A14WMP-.5-PL-316L	A14WMP-.5-PM-316L
3/4	.500	.984	A14WMP-.75-PX-316L	A14WMP-.75-PL-316L	A14WMP-.75-PM-316L
1 TYPE A	.500	1.339	A14WMP-1A-PX-316L	A14WMP-1A-PL-316L	A14WMP-1A-PM-316L
1 TYPE B	.500	1.984	A14WMP-1-PX-316L	A14WMP-1-PL-316L	A14WMP-1-PM-316L
1 1/2	.500	1.984	A14WMP-1.5-PX-316L	A14WMP-1.5-PL-316L	A14WMP-1.5-PM-316L
2	.500	2.516	A14WMP-2-PX-316L	A14WMP-2-PL-316L	A14WMP-2-PM-316L
2 1/2	.500	3.047	A14WMP-2.5-PX-316L	A14WMP-2.5-PL-316L	A14WMP-2.5-PM-316L
3	.500	3.579	A14WMP-3-PX-316L	A14WMP-3-PL-316L	A14WMP-3-PM-316L
4	.625	4.682	A14WMP-4-PX-316L	A14WMP-4-PL-316L	A14WMP-4-PM-316L
6	.750	6.570	A14WMP-6-PX-316L	A14WMP-6-PL-316L	A14WMP-6-PM-316L

Need it customized? Contact us for a quote. Can be ordered in other material types.



Weld Ferrule



A16AMP-SC – Hygienic Clamp Joint Socket Weld Cap (Ferrule)

Note: Although this item meets BPE's dimensional criteria, it is not intended for sanitary applications.

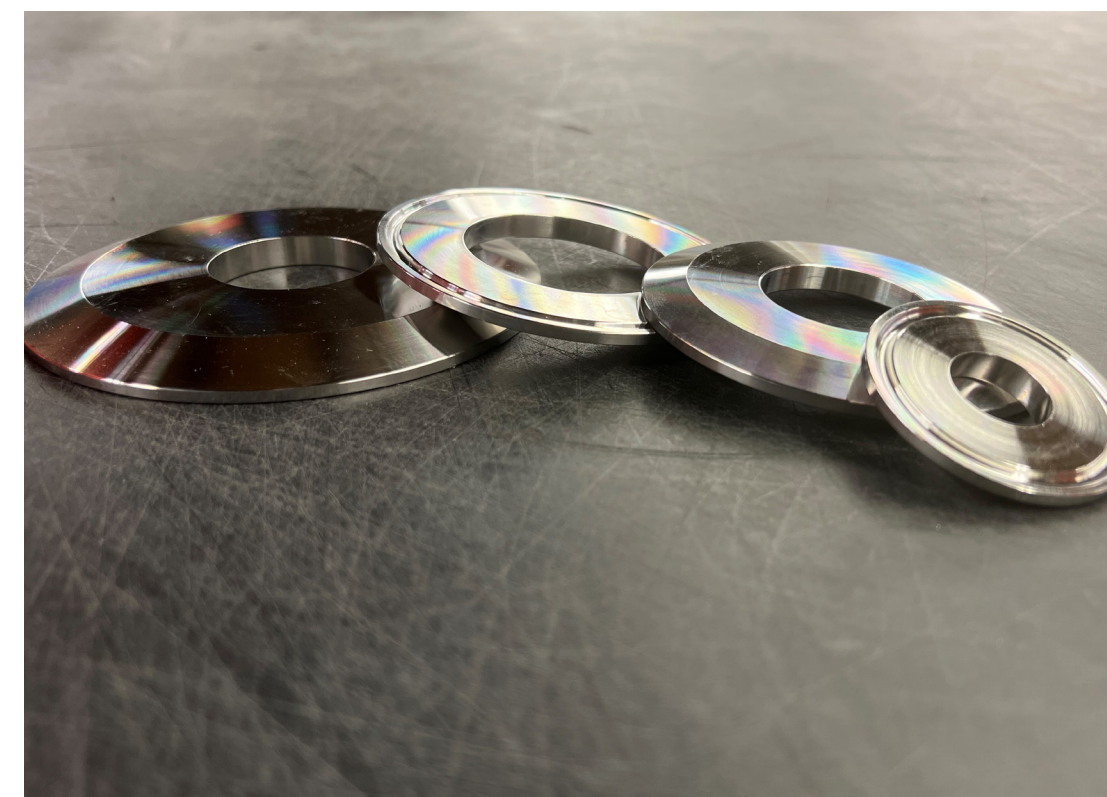
SIZE	A	B	C	PL / SFO / Mill T316L
1 x 1/2	0.370	0.515	1.984	A16AMPSC-1x.5-PX-316L
1 x 3/4	0.620	0.765	1.984	A16AMPSC-1x.65-PX-316L
1	0.870	1.020	1.984	A16AMPSC-1-PX-316L
1-1/2 x 1/2	0.370	0.515	1.984	A16AMPSC-1.5x.5-PX-316L
1-1/2 x 3/4	0.620	0.765	1.984	A16AMPSC-1.5x.75-PX-316L
1-1/2 x 1	0.870	1.020	1.984	A16AMPSC-1.5x1-PX-316L
1 1/2	1.370	1.520	1.984	A16AMPSC-1.5-PX-316L
2 x 1/2	0.370	0.515	2.516	A16AMPSC-2x.5-PX-316L
2 x 3/4	0.620	0.765	2.516	A16AMPSC-2x.75-PX-316L
2 x 1	0.870	1.020	2.516	A16AMPSC-2x1-PX-316L
2 x 1-1/2	1.370	1.520	2.516	A16AMPSC-2x1.5-PX-316L
2	1.870	2.020	2.516	A16AMPSC-2x1.5-PX-316L
2-1/2 x 1/2	0.370	0.515	3.047	A16AMPSC-2.5x.5-PX-316L
2-1/2 x 3/4	0.620	0.765	3.047	A16AMPSC-2.5x.75-PX-316L
2-1/2 x 1	0.870	1.020	3.047	A16AMPSC-2.5x1-PX-316L
2-1/2 x 1-1/2	1.370	1.520	3.047	A16AMPSC-2.5x1.5-PX-316L
2-1/2 x 2	1.870	2.020	3.047	A16AMPSC-2.5x2-PX-316L
2-1/2	2.370	2.520	3.047	A16AMPSC-2.5-PX-316L
3 x 1/2	0.370	0.515	3.579	A16AMPSC-3x.5-PX-316L
3 x 3/4	0.620	0.765	3.579	A16AMPSC-3x.75-PX-316L
3 x 1	0.870	1.020	3.579	A16AMPSC-3x1-PX-316L
3 x 1-1/2	1.370	1.520	3.579	A16AMPSC-3x1.5-PX-316L
3 x 2	1.870	2.020	3.579	A16AMPSC-3x2-PX-316L
3 x 2-1/2	2.370	2.520	3.579	A16AMPSC-3x2.5-PX-316L
3	2.870	3.025	3.579	A16AMPSC-3-PX-316L
4 x 1/2	0.370	0.515	4.682	A16AMPSC-4x.5-PX-316L
4 x 3/4	0.620	0.765	4.682	A16AMPSC-4x.75-PX-316L
4 x 1	0.870	1.020	4.682	A16AMPSC-4x1-PX-316L
4 x 1-1/2	1.370	1.520	4.682	A16AMPSC-4x1.5-PX-316L

Weld Ferrule

A16AMP-SC – Hygienic Clamp Joint Socket Weld Cap (Ferrule), cont'd

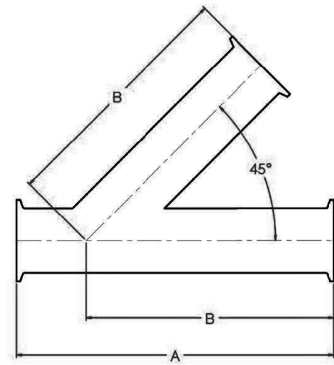
SIZE	A	B	C	PL / SFO / Mill T316L
4 x 2	1.870	2.020	4.682	A16AMPSC-4x2-PX-316L
4 x 2-1/2	2.370	2.520	4.682	A16AMPSC-4x2.5-PX-316L
4 x 3	2.870	3.025	4.682	A16AMPSC-4x3-PX-316L
4	3.834	4.030	4.682	A16AMPSC-4-PX-316L
6 x 1/2	0.370	0.515	6.570	A16AMPSC-6x.5-PX-316L
6 x 3/4	0.620	0.765	6.570	A16AMPSC-6x.75-PX-316L
6 x 1	0.870	1.020	6.570	A16AMPSC-6x1-PX-316L
6 x 1-1/2	1.370	1.520	6.570	A16AMPSC-6x1.5-PX-316L
6 x 2	1.870	2.020	6.570	A16AMPSC-6x2-PX-316L
6 x 2-1/2	2.370	2.520	6.570	A16AMPSC-6x2.5-PX-316L
6 x 3	2.870	3.025	6.570	A16AMPSC-6x3-PX-316L
6 x 4	3.834	4.030	6.570	A16AMPSC-6x4-PX-316L
6	5.782	6.035	6.570	A16AMPSC-6-PX-316L

Need it customized? Contact us for a quote. Can be ordered in other material types.



Wyes & Laterals

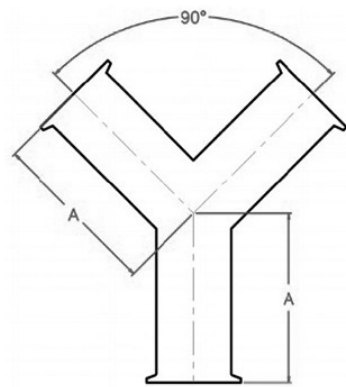
A28AMP – 45 DEGREE CLAMP LATERAL



Size	A	X	T	PL / SF1 / 20ra	PM / SF4 / 15ra EP
0.50	6.000	4.646	.065	A28AMP-.5-PL-316L	A28AMP-.5-PM-316L
0.75	7.000	5.532	.065	A28AMP-.75-PL-316L	A28AMP-.75-PM-316L
1.00	7.000	5.500	.065	A28AMP-1-PL-316L	A28AMP-1-PM-316L
1.50	8.375	6.688	.065	A28AMP-1.5-PL-316L	A28AMP-1.5-PM-316L
2.00	9.750	7.625	.065	A28AMP-2-PL-316L	A28AMP-2-PM-316L
2.50	11.000	9.000	.065	A28AMP-2.5-PL-316L	A28AMP-2.5-PM-316L
3.00	11.750	9.375	.065	A28AMP-3-PL-316L	A28AMP-3-PM-316L
4.00	14.063	11.372	.083	A28WA-6-PL-316L	A28WA-6-PM-316L

Need it customized? Contact us for a quote.

A28BMP – CLAMP TRUE WYE

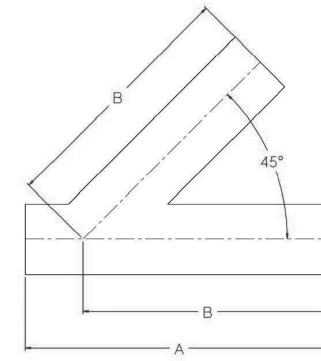


Size	A	PL / SF1 / 20ra	PM / SF4 / 15ra EP
0.50	3.500	A28BMP-.5-PL-316L	A28BMP-.5-PM-316L
0.75	3.500	A28BMP-.75-PL-316L	A28BMP-.75-PM-316L
1.00	3.500	A28BMP-1-PL-316L	A28BMP-1-PM-316L
1.50	3.500	A28BMP-1.5-PL-316L	A28BMP-1.5-PM-316L
2.00	4.500	A28BMP-2-PL-316L	A28BMP-2-PM-316L
2.50	5.500	A28BMP-2.5-PL-316L	A28BMP-2.5-PM-316L
3.00	6.500	A28BMP-3-PL-316L	A28BMP-3-PM-316L
4.00	8.625	A28BMP-4-PL-316L	A28BMP-4-PM-316L
6.00	8.750	A28BMP-6-PM-316L	A28BMP-6-PM-316L

Need it customized? Contact us for a quote.

Wyes & Laterals

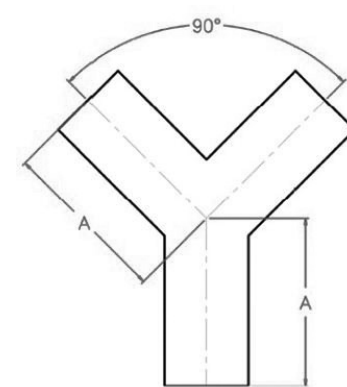
A28WA – 45 DEGREE LATERAL



Size	A	X	T	PL / SF1 / 20ra	PM / SF4 / 15ra EP
0.50	5.000	4.146	.065	A28WA-.5-PL-316L	A28WA-.5-PM-316L
0.75	6.000	5.032	.065	A28WA-.75-PL-316L	A28WA-.75-PM-316L
1.00	6.000	5.000	.065	A28WA-1-PL-316L	A28WA-1-PM-316L
1.50	7.375	6.188	.065	A28WA-1.5-PL-316L	A28WA-1.5-PM-316L
2.00	8.750	7.125	.065	A28WA-2-PL-316L	A28WA-2-PM-316L
2.50	10.000	8.500	.065	A28WA-2.5-PL-316L	A28WA-2.5-PM-316L
3.00	10.750	8.875	.065	A28WA-3-PL-316L	A28WA-3-PM-316L
4.00	12.813	10.747	.083	A28WA-4-PL-316L	A28WA-4-PM-316L
6.00	18.000	14.500	.109	A28WA-6-PL-316L	A28WA-6-PM-316L

Need it customized? Contact us for a quote.

A28WB – BUTTWELD TRUE WYE



Size	A	PL / SF1 / 20ra	PM / SF4 / 15ra EP
0.50	3.00	A28WB-.5-PL-316L	A28WB-.5-PM-316L
0.75	3.00	A28WB-.75-PL-316L	A28WB-.75-PM-316L
1.00	3.00	A28WB-1-PL-316L	A28WB-1-PM-316L
1.50	3.00	A28WB-1.5-PL-316L	A28WB-1.5-PM-316L
2.00	4.00	A28WB-2-PL-316L	A28WB-2-PM-316L
2.50	5.00	A28WB-2.5-PL-316L	A28WB-2.5-PM-316L
3.00	6.00	A28WB-3-PL-316L	A28WB-3-PM-316L
4.00	8.00	A28WB-4-PL-316L	A28WB-4-PM-316L
6.00	8.00	A28WB-6-PL-316L	A28WB-6-PM-316L

Need it customized? Contact us for a quote.

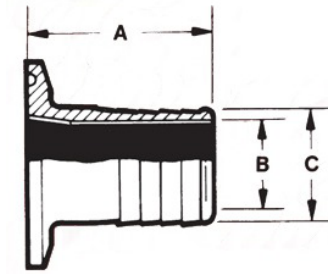
Clamp Fittings

BPE

Advance Fittings has devoted its energies to producing the highest quality fittings. These clamp fittings come in a wide range of sizes and create a leak-proof connection to tubing or other fittings when combined with a gasket and clamp.



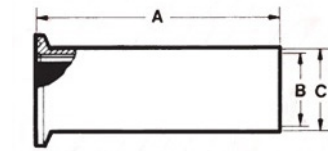
Adapters



A14MPHR RUBBER HOSE ADAPTER

Size Tube O.D.	A	B	PT / SF3/ 32 ra T316L
1	1 ¹¹ / ₁₆	.870	A14MPHR-1-PT-316L
1½	1 ¹¹ / ₁₆	1.370	A14MPHR-1.5-PT-316L
2	2 ⁵ / ₁₆	1.870	A14MPHR-2-PT-316L
2½	2 ¹³ / ₃₂	2.370	A14MPHR-2.5-PT-316L
3	3 ³ / ₃₂	2.870	A14MPHR-3-PT-316L
4	3 ¹³ / ₃₂	3.834	A14MPHR-4-PT-316L

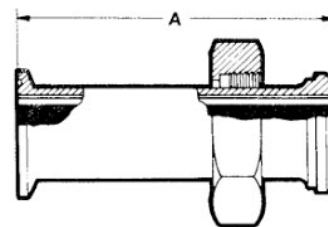
Need it customized? Contact us for a quote. Other angles available on request.



A14MPHT TYGON HOSE ADAPTER

Size Tube O.D.	A	B	C	PT / SF3/ 32 ra T316L
1	4½	.870	1.000	A14MPHT-1-PT-316L
1½	4½	1.370	1.500	A14MPHT-1.5-PT-316L
1½ x ¾	4½	.620	.750	A14MPHT-1.5x.75-PT-316L
1½ x 1	4½	.870	1.000	A14MPHT-1.5x1-PT-316L
2	4½	1.870	2.000	A14MPHT-2-PT-316L
2 X 1	4½	.870	1.000	A14MPHT-2x1-PT-316L
2½	4½	2.370	2.500	A14MPHT-2.5-PT-316L
2½ x 1½	4½	1.370	1.500	A14MPHT-2.5x1.5-PT-316L
3	4½	2.870	3.000	A14MPHT-3-PT-316L
4	4½	3.834	4.000	A14MPHT-4-PT-316L

Need it customized? Contact us for a quote. Other angles available on request.

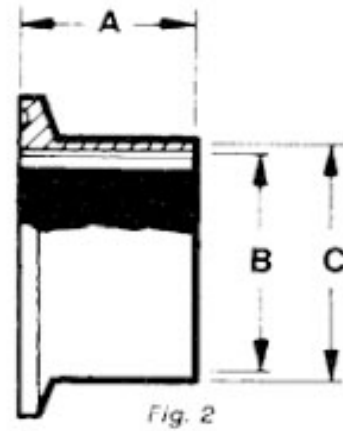


A17MP-14 ADAPTER

Size Tube O.D.	A	PT / SF3/ 32 ra T316L
1	3	A17MP-14-1-PT-316L
1½	3	A17MP-14-1.5-PT-316L
2	3	A17MP-14-2-PT-316L
2½	3½	A17MP-14-2.5-PT-316L
3	3¾	A17MP-14-3-PT-316L
4	4	A17MP-14-4-PT-316L

Need it customized? Contact us for a quote. Other angles available on request.

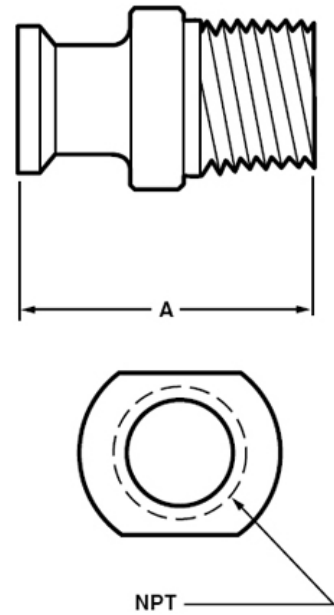
Adapters



A17MP-15 ADAPTER

Size Tube O.D.	A	PT / SF3/ 32 ra T316L
	3	A17MP-15-1-PT-316L
1½	3	A17MP-15-1.5-PT-316L
2	3	A17MP-15-2-PT-316L
2½	3½	A17MP-15-2.5-PT-316L
3	3¾	A17MP-15-3-PT-316L
4	4	A17MP-15-4-PT-316L

Need it customized? Contact us for a quote. Other angles available on request.

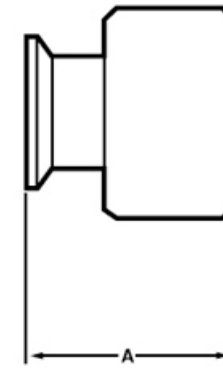


A21MP MALE ADAPTER (N.P.T. PIPE THREADS)

Size Tube O.D.	A	B	PT / SF3/ 32 ra T316L
1 X ¾	2 ³ / ₁₆	3 ⁵ / ₆₄	A21MP-1x.75-PT-316L
1 X 1	2 ³ / ₄	1 ¹ / ₁₆	A21MP-1x1-PT-316L
1 X 1½	2 ⁷ / ₁₆	2 ³ / ₃₂	A21MP-1x1.5-PT-316L
1 X 2	2 ⁵ / ₈	¾	A21MP-1x2-PT-316L
1½ X ¾	2 ³ / ₁₆	3 ⁵ / ₆₄	A21MP-1.5x.75-PT-316L
1½ X 1	2 ⁷ / ₁₆	1 ¹ / ₁₆	A21MP-1.5x1-PT-316L
1½ X 1¼	2 ⁷ / ₁₆	4 ⁵ / ₆₄	A21MP-1.5x1.25-PT-316L
1½ X 1½	2 ⁵ / ₈	2 ³ / ₃₂	A21MP-1.5x1.5-PT-316L
1½ X 2	2 ⁵ / ₈	¾	A21MP-1.5x2-PT-316L
2 X 1¼	2 ¹⁵ / ₃₂	4 ⁵ / ₆₄	A21MP-2x1.25-PT-316L
2 X 1½	2 ¹⁵ / ₃₂	2 ³ / ₃₂	A21MP-2x1.5-PT-316L
2 X 2	2 ²³ / ₃₂	¾	A21MP-2x2-PT-316L
2 X 2½	3 ¹ / ₈	1 ⁹ / ₆₄	A21MP-2x2.5-PT-316L
2½ X 1½	2 ²⁵ / ₃₂	2 ³ / ₃₂	A21MP-2.5x1.5-PT-316L
2½ X 2	2 ²⁵ / ₃₂	¾	A21MP-2.5x2-PT-316L
2½ X 2½	3 ⁹ / ₃₂	1 ⁹ / ₆₄	A21MP-2.5x2.5-PT-316L
3 X 3	3 ¹ / ₂	1 ¹³ / ₆₄	A21MP-3x3-PT-316L
4 X 4	3 ¹³ / ₁₆	1 ¹⁹ / ₆₄	A21MP-4x4-PT-316L

Need it customized? Contact us for a quote. Other angles available on request.

Adapters



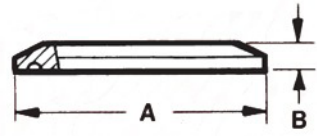
A22MP FEMALE ADAPTER (N.P.T. PIPE THREADS)

Size	Overall Length	PT / SF3/ 32 ra T316L
1 X ¾	1 ⁵ / ₈	A22MP-1x.75-PT-316L
1 X 1	1 ⁵ / ₈	A22MP-1x1-PT-316L
1 X 1½	2 ¹ / ₄	A22MP-1x1.5-PT-316L
1 X 2	2 ¹ / ₄	A22MP-1x2-PT-316L
1½ X ¾	1 ⁵ / ₈	A22MP-1.5x.75-PT-316L
1½ X 1	1 ⁵ / ₈	A22MP-1.5x1-PT-316L
1½ X 1¼	2 ¹ / ₄	A22MP-1.5x1.25-PT-316L
1½ X 1½	2 ¹ / ₄	A22MP-1.5x1.5-PT-316L
1½ X 2	2 ¹ / ₄	A22MP-1.5x2-PT-316L
2 X 1¼	1 ¹ / ₁₆	A22MP-2x1.25-PT-316L
2 X 1½	1 ¹ / ₁₆	A22MP-2x1.5-PT-316L
2 X 2	2 ¹ / ₃₂	A22MP-2x2-PT-316L
2 X 2½	2 ¹³ / ₃₂	A22MP-2x1.5-PT-316L
2½ X 1½	1 ² / ₃₂	A22MP-2.5x1.5-PT-316L
2½ X 2	1 ² / ₃₂	A22MP-2.5x2-PT-316L
2½ X 2½	2 ³ / ₃₂	A22MP-2.5x2.5-PT-316L
3 X 3	2 ³ / ₁₆	A22MP-3x3-PT-316L
4 X 4	2 ⁵ / ₈	A22MP-4x4-PT-316L

Need it customized? Contact us for a quote. Other angles available on request.



Caps

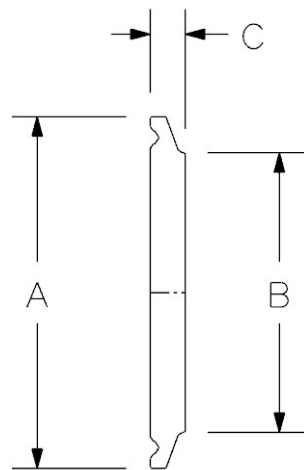


A16AMP SOLID END CAP

Size Tube O.D.	A	B	PT / SF3/ 32 ra T316
1 & 1½	1.984	.250	A16AMP-1x1.5-PT-316L
2	2.516	.250	A16AMP-2-PT-316L
2½	3.047	.250	A16AMP-2.5-PT-316L
3	3.579	.250	A16AMP-3-PT-316L
4	4.682	.250	A16AMP-4-PT-316L
6"	6.570	.437	A16AMP-4-PT-316L

1½ caps used on both 1" and 1½" lines

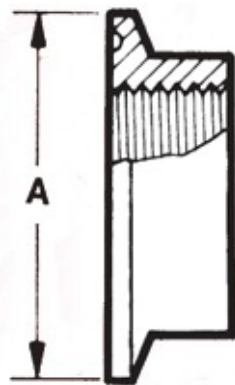
Need it customized? Contact us for a quote. Other angles available on request.



A16AMP-SG – Clamp Solid End Cap – Sight Glass

SIZE	A	B	C	PX / SFO / MILL ID/OD
1 (1.5)	1.984	1.500	.250	A16AMP-SG-1(1.5)-PX-LEXAN
2	2.516	2.000	.250	A16AMP-SG-2-PX-LEXAN
2.5	3.047	2.500	.250	A16AMP-SG-2.5-PX-LEXAN
3	3.579	3.000	.250	A16AMP-SG-3-PX-LEXAN
4	4.682	4.000	.250	A16AMP-SG-4-PX-LEXAN
6	6.570	6.000	.500	A16AMP-SG-6-PX-LEXAN

Need it customized? Contact us for a quote. Other angles available on request.



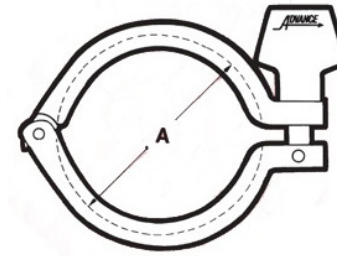
A23BMP THERMOMETER CAPS

Size Tube O.D.	A	PT / SF3/ 32 ra T316
1	1.984	A23BMP-1-PT-316L
1½	1.984	A23BMP-1.5-PT-316L
2	2.516	A23BMP-2-PT-316L
2½ X 1	3.047	A23BMP-2.5x1-PT-316L
3	3.579	A23BMP-3-PT-316L
4	4.682	A23BMP-4-PT-316L

1" Tapped ½" N.P.T. All others ½" N.P.T

Need it customized? Contact us for a quote. Other angles available on request.

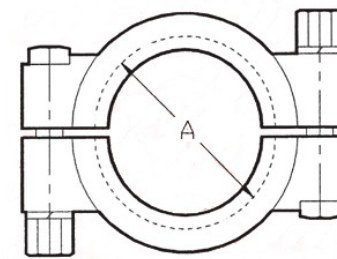
Clamps



A13MHM HEAVY DUTY CLAMPS

Size Tube O.D.	A	Pressure Rating (psi)		Part Number
		Psi 70F	Psi 250F	
½ & ¾	1.10	1500	1200	A13MHM-5x.75-PX-304
1 & 1½	2.122	500	300	A13MHM-1x1.5-PX-304
2	2.654	450	300	A13MHM-2-PX-304
2½	3.185	400	200	A13MHM-2.5-PX-304
3	3.717	350	195	A13MHM-3-PX-304
4	4.820	300	150	A13MHM-4-PX-304

Need it customized? Contact us for a quote. Other angles available on request.

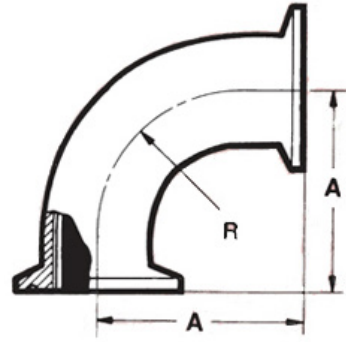


A13MHP HIGH PRESSURE CLAMP

Size Tube O.D.	A	Pressure Rating (psi)		Part Number
		Psi 70F	Psi 250F	
1½	2.046	1500	1200	A13MHP-1.5-PX-304
2	2.578	1000	800	A13MHP-2-PX-304
2½	3.110	1000	800	A13MHP-2.5-PX-304
3	3.640	1000	800	A13MHP-3-PX-304
4	4.744	800	600	A13MHP-4-PX-304

Need it customized? Contact us for a quote. Other angles available on request.

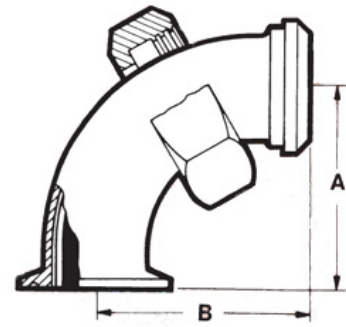
Elbows



A2CMP 90° ELBOW

Size Tube O.D.	A	R	PT / SF3/ 32 ra T316L
1	2	1½	A2CMP-1-PT-316L
1½	2¾	2¾	A2CMP-1.5-PT-316L
2	3½	3	A2CMP-2-PT-316L
2½	4¾	3¾	A2CMP-2.5-PT-316L
3	5	4½	A2CMP-3-PT-316L
4	6⅝	6	A2CMP-4-PT-316L

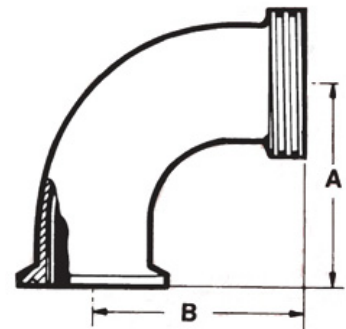
Need it customized? Contact us for a quote. Other angles available on request.



A2FMP-14 90° ELBOW

Size Tube O.D.	A	R	PT / SF3/ 32 ra T316L
1½	2¾	2 ³¹ / ₃₂	AF2MP-14-1.5-PT-316L
2	3½	3 ²³ / ₃₂	AF2MP14-2-PT-316L
2½	4¾	4 ¹⁹ / ₃₂	AF2MP14-2.5-PT-316L
3	5	5 ¹³ / ₃₂	AF2MP14-3-PT-316L
4	6⅝	7 ⁷ / ₃₂	AF2MP14-4-PT-316L

Need it customized? Contact us for a quote. Other angles available on request.

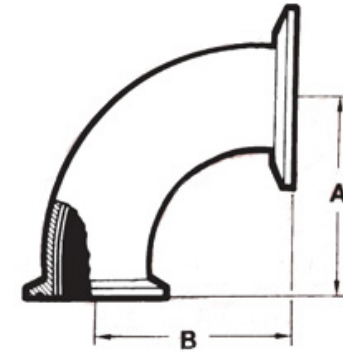


A2FMP-15 90° ELBOW

SIZE	A	B	PT / SF3/ 32 ra T316L
1½	2¾	2 ³¹ / ₃₂	A2FMP15-1.5-PT-316L
2	3½	3 ²³ / ₃₂	A2FMP15-2-PT-316L
2½	4¾	4 ¹⁹ / ₃₂	A2FMP15-2.5-PT-316L
3	5	5 ¹³ / ₃₂	A2FMP15-3-PT-316L
4	6⅝	7 ⁷ / ₃₂	A2FMP15-4-PT-316L

Need it customized? Contact us for a quote. Other angles available on request.

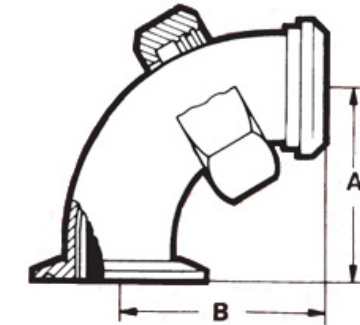
Elbows



A2CMP-31MP 90° REDUCING ELBOW (NON-TAPERED)

Size Tube O.D.	A	B	PT / SF3/ 32 ra T316L
2 x 1	2	2	A2CMP31MP-2x1-PT-316L
2 x 1½	2¾	2¾	A2CMP31MP-2x1.5-PT-316L
2½ x 1½	2¾	2¾	A2CMP31MP-2.5x1.5-PT-316L
2½ x 2	3½	3½	A2CMP31MP-2.5x2-PT-316L
3 x 1½	2¾	2¾	A2CMP31MP-3x1.5-PT-316L
3 x 2	3½	3½	A2CMP31MP-3x2-PT-316L
3 x 2½	4¾	4¾	A2CMP31MP-3x2.5-PT-316L
4 x 2½	4¾	4¾	A2CMP31MP-4x2.5-PT-316L
4 x 3	5	5	A2CMP31MP-4x3-PT-316L

Need it customized? Contact us for a quote. Other angles available on request.

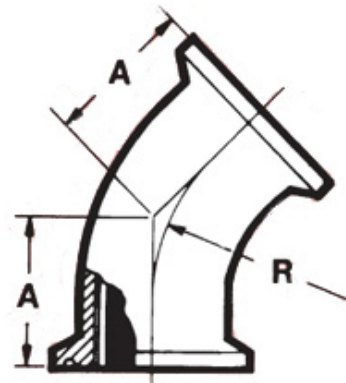


A2E-31MP 90° REDUCING ELBOW (NON-TAPERED)

Size Tube O.D.	A	B	PT / SF3/ 32 ra T316L
2 x 1	2	2 ³¹ / ₁₆	A2E31MP-2x1-PT-316L
2 x 1½	2¾	2 ³¹ / ₃₂	A2E31MP-2x1.5-PT-316L
2½ x 1½	2¾	2 ³¹ / ₃₂	A2E31MP-2.5x1.5-PT-316L
2½ x 2	3½	3 ²³ / ₃₂	A2E31MP-2.5x2-PT-316L
3 x 1½	2¾	2 ³¹ / ₃₂	A2E31MP-3x1.5-PT-316L
3 x 2	3½	3 ²³ / ₃₂	A2E31MP-3x2-PT-316L
3 x 2½	4¾	4 ¹⁹ / ₃₂	A2E31MP-3x2.5-PT-316L
4 x 2½	4¾	4 ¹⁹ / ₃₂	A2E31MP-4x2.5-PT-316L
4 x 3	5⅝	5 ¹³ / ₃₂	A2E31MP-4x3-PT-316L

Need it customized? Contact us for a quote. Other angles available on request.

Elbows



A2KMP 45° ELBOW

Size Tube O.D.	A	R	PT / SF3/ 32 ra T316L
1	1 $\frac{3}{8}$	1 $\frac{1}{2}$	A2KMP-1-PT-316L
1 $\frac{1}{2}$	1 $\frac{7}{16}$	2 $\frac{3}{4}$	A2KMP-1.5-PT-316L
2	1 $\frac{3}{4}$	3	A2KMP-2-PT-316L
2 $\frac{1}{2}$	2 $\frac{1}{16}$	3 $\frac{3}{4}$	A2KMP-2.5-PT-316L
3	2 $\frac{3}{8}$	4 $\frac{1}{2}$	A2KMP-3-PT-316L
4	3 $\frac{1}{8}$	6	A2KMP-4-PT-316L

Need it customized? Contact us for a quote. Other angles available on request.



Ferrules

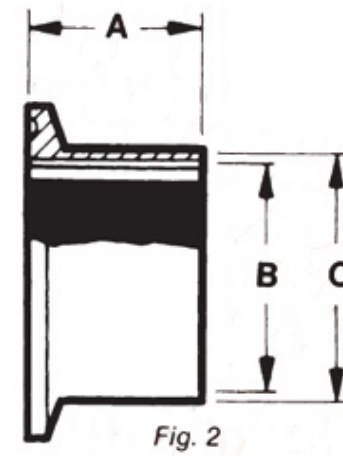


Fig. 2

A14AM7 BUTT WELDING FERRULE

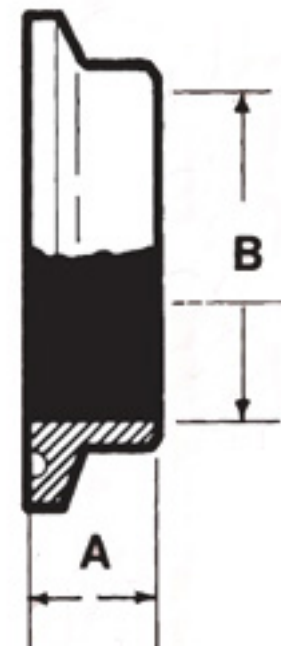
Size Tube O.D./C	A	B	PT / SF3/ 32 ra T316L
$\frac{1}{2}$	1 $\frac{3}{8}$.370	A14AM7-1-PT-316L
$\frac{3}{4}$	1 $\frac{3}{8}$.620	A14AM7-1-PT-316L
1	1 $\frac{3}{8}$.870	A14AM7-1-PT-316L
1 $\frac{1}{2}$	1 $\frac{3}{8}$	1.370	A14AM7-1-PT-316L
2	1 $\frac{3}{8}$	1.870	A14AM7-1-PT-316L
2 $\frac{1}{2}$	1 $\frac{3}{8}$	2.370	A14AM7-1-PT-316L
3	1 $\frac{3}{8}$	2.870	A14AM7-1-PT-316L
4	1 $\frac{3}{8}$	3.834	A14AM7-1-PT-316L

Need it customized? Contact us for a quote. Other angles available on request.

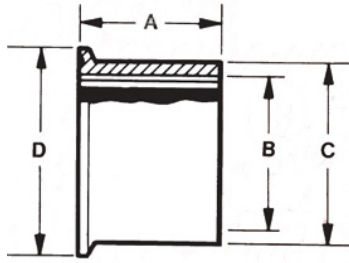
A14WMP SHORT WELDING FERRULE

Size Tube O.D.	A	B	PT / SF3/ 32 ra T316L
$\frac{1}{2}$	$\frac{1}{2}$.370	A14WMP-.5-PT-316L
$\frac{3}{4}$	$\frac{1}{2}$.620	A14WMP-.75-PT-316L
1	$\frac{1}{2}$.870	A14WMP-1-PT-316L
1 $\frac{1}{2}$	$\frac{1}{2}$	1.370	A14WMP-1.5-PT-316L
2	$\frac{1}{2}$	1.870	A14WMP-2-PT-316L
2 $\frac{1}{2}$	$\frac{1}{2}$	2.370	A14WMP-2.5-PT-316L
3	$\frac{1}{2}$	2.870	A14WMP-3-PT-316L
4	$\frac{5}{8}$	3.834	A14WMP-4-PT-316L

Need it customized? Contact us for a quote. Other angles available on request.



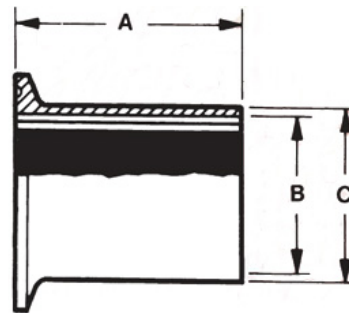
Ferrules



A14MPW TANK WELDING FERRULE

Size Tube O.D.	A	B	C	D	PT / SF3/ 32 ra T316L
1	1 ⁵ / ₈	.870	1.160	1.984	A14MPW-1-PT-316L
1½	1 ⁵ / ₈	1.370	1.676	1.984	A14MPW-1.5-PT-316L
2	1 ³ / ₄	1.870	2.192	2.516	A14MPW-2-PT-316L
2½	1 ³ / ₄	2.370	2.708	3.047	A14MPW-2.5-PT-316L
3	1 ¹³ / ₁₆	2.870	3.224	3.579	A14MPW-3-PT-316L
4	2 ¹ / ₈	3.834	4.256	4.682	A14MPW-4-PT-316L

Need it customized? Contact us for a quote. Other angles available on request.

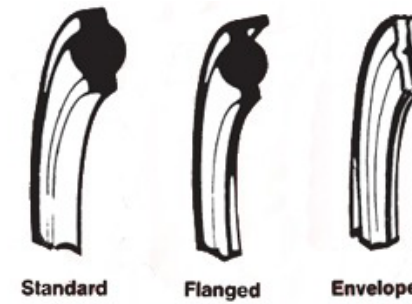


A14WLMP TANK WELDING SPUD (LIGHT)

Size Tube O.D.	A	B	C	PT / SF3/ 32 ra T316L
1	3	.870	1.000	A14WLMP-1-PT-316L
1½	3	1.370	1.500	A14WLMP-1.5-PT-316L
2	3	1.870	2.000	A14WLMP-2-PT-316L
2½	3	2.370	2.500	A14WLMP-2.5-PT-316L
3	4	2.870	3.000	A14WLMP-3-PT-316L
4	4	3.834	4.000	A14WLMP-4-PT-316L

Need it customized? Contact us for a quote. Other angles available on request.

Gaskets



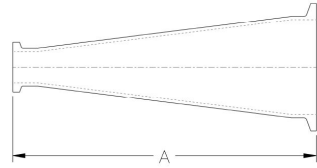
Materials:

- Buna N
- EPDM
- Teflon
- Viton
- Silicon

Available in sizes 1/2"-12". Other material & styles available upon request.



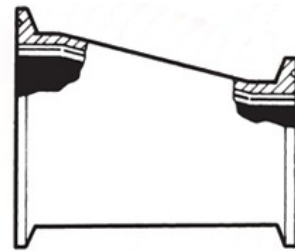
Reducers



A3114MP CONCENTRIC REDUCER

Size	Overall Length	PT / SF3/ 32 ra T316L
1½ X 1	3	A3114MP-1.5x1-PT-316L
2 X 1	5	A3114MP-2x1-PT-316L
2 X 1½	3	A3114MP-2x1.5-PT-316L
2½ X 1	7	A3114MP-2.5x1-PT-316L
2½ X 1½	5	A3114MP-2.5x1.5-PT-316L
2½ X 2	3	A3114MP-2.5x2-PT-316L
3 X 1½	7	A3114MP-3x1.5-PT-316L
3 X 2	5	A3114MP-3x2-PT-316L
3 X 2½	3	A3114MP-3x2.5-PT-316L
4 X 2	9½	A3114MP-4x2-PT-316L
4 X 2½	7½	A3114MP-4x2.5-PT-316L
4 X 3	5½	A3114MP-4x3-PT-316L

Need it customized? Contact us for a quote. Other angles available on request.

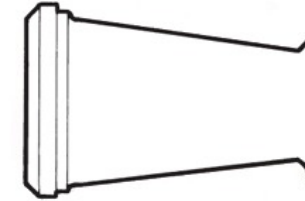


A3214MP ECCENTRIC REDUCER

Size	Overall Length	PT / SF3/ 32 ra T316L
1½ X 1	3	A3214MP-1.5x1-PT-316L
2 X 1	5	A3214MP-2x1-PT-316L
2 X 1½	3	A3214MP-2x1.5-PT-316L
2½ X 1	7	A3214MP-2.5x1-PT-316L
2½ X 1½	5	A3214MP-2.5x1.5-PT-316L
2½ X 2	3	A3214MP-2.5x2-PT-316L
3 X 1½	7	A3214MP-3x1.5-PT-316L
3 X 2	5	A3214MP-3x2-PT-316L
3 X 2½	3	A3214MP-3x2.5-PT-316L
4 X 2	9½	A3214MP-4x2-PT-316L
4 X 2½	7½	A3214MP-4x2.5-PT-316L
4 X 3	5½	A3214MP-4x3-PT-316L

Need it customized? Contact us for a quote. Other angles available on request.

Reducers

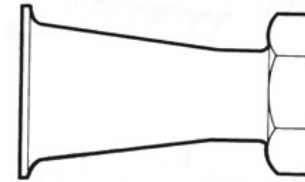


A31PMP ADAPTER-REDUCER (CONCENTRIC)

Size	Overall Length	PT / SF3/ 32 ra T316L
*1½ X 1	3 ⁷ / ₃₂	A31PMP-1.5x1-PT-316L
2 X 1	3 ⁵ / ₁₆	A31PMP-1.5x1-PT-316L
2 X 1½	3 ⁵ / ₁₆	A31PMP-1.5x1-PT-316L
2½ X 1½	3 ³ / ₈	A31PMP-2.5x1.5-PT-316L
2½ X 2	3 ³ / ₈	A31PMP-2.5x2-PT-316L
3 X 2	4 ¹³ / ₃₂	A31PMP-3x2-PT-316L
3 X 2½	4 ¹³ / ₃₂	A31PMP-3x2.5-PT-316L
4 X 2½	4 ¹⁷ / ₃₂	A31PMP-4x2.5-PT-316L
4 X 3	4 ¹⁷ / ₃₂	A31PMP-4x3-PT-316L

*Hex nut furnished.

Need it customized? Contact us for a quote. Other angles available on request.

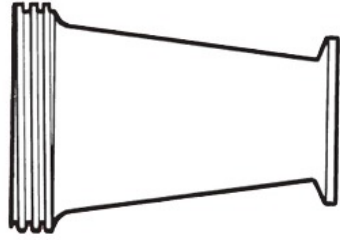


A31MPP ADAPTER-REDUCER (CONCENTRIC)

Size	Overall Length	PT / SF3/ 32 ra T316L
1½ X 1	4 ¹ / ₈	A31MPP-1.5x1-PT-316L
2 X 1	4 ¹ / ₈	A31MPP-2x1-PT-316L
2 X 1½	4 ⁷ / ₃₂	A31MPP-2x1.5-PT-316L
2½ X 1½	4 ⁷ / ₃₂	A31MPP-2.5x1.5-PT-316L
2½ X 2	4 ¹³ / ₃₂	A31MPP-2.5x2-PT-316L
3 X 2	5 ¹³ / ₃₂	A31MPP-3x2-PT-316L
3 X 2½	5 ²¹ / ₃₂	A31MPP-3x2.5-PT-316L
4 X 2½	5 ¹³ / ₁₆	A31MPP-4x2.5-PT-316L
4 X 3	4 ¹⁵ / ₁₆	A31MPP-4x3-PT-316L

Need it customized? Contact us for a quote. Other angles available on request.

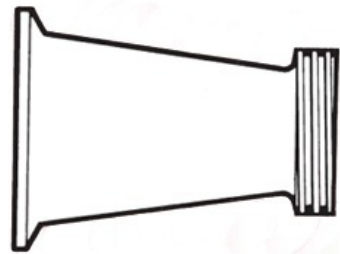
Reducers



A31TMP ADAPTER-REDUCER (CONCENTRIC)

Size	Overall Length	PT / SF3/ 32 ra T316L
1½ X 1	3 ⁷ / ₃₂	A31TMP-1.5x1-PT-316L
2 X 1	3 ⁹ / ₁₆	A31TMP-2x1-PT-316L
2 X 1½	3 ⁹ / ₁₆	A31TMP-2x1.5-PT-316L
2½ X 1½	3 ³ / ₈	A31TMP-2.5x1.5-PT-316L
2½ X 2	3 ³ / ₈	A31TMP-2.5x2-PT-316L
3 X 2	4 ¹³ / ₃₂	A31TMP-3x2-PT-316L
3 X 2½	4 ¹³ / ₃₂	A31TMP-3x2.5-PT-316L
4 X 2½	4 ⁷ / ₃₂	A31TMP-4x2.5-PT-316L
4 X 3	4 ⁷ / ₃₂	A31TMP-4x3-PT-316L

Need it customized? Contact us for a quote. Other angles available on request.

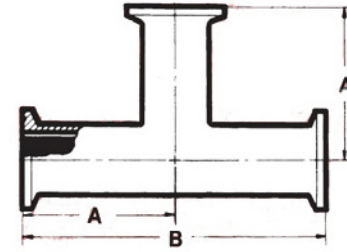


A31MPT ADAPTER-REDUCER (CONCENTRIC)

Size	Overall Length	PT / SF3/ 32 ra T316L
1½ X 1	3 ⁹ / ₁₆	A31MPT-1.5x1-PT-316L
2 X 1	3 ⁹ / ₁₆	A31MPT-2x1-PT-316L
2 X 1½	3 ⁷ / ₃₂	A31MPT-2x1.5-PT-316L
2½ X 1½	3 ³ / ₈	A31MPT-2.5x1.5-PT-316L
2½ X 2	3 ³ / ₈	A31MPT-2.5x2-PT-316L
3 X 1½	4 ⁷ / ₃₂	A31MPT-3x1.5-PT-316L
3 X 2	4 ⁵ / ₁₆	A31MPT-3x2-PT-316L
3 X 2½	4 ³ / ₈	A31MPT-3x2.5-PT-316L
4 X 2	4 ⁷ / ₁₆	A31MPT-4x2-PT-316L
4 X 2½	4 ¹ / ₂	A31MPT-4x2.5-PT-316L
4 X 3	4 ¹³ / ₃₂	A31MPT-4x3-PT-316L

Need it customized? Contact us for a quote. Other angles available on request.

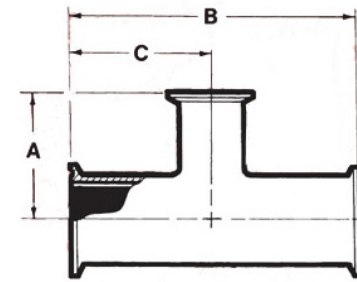
Tees & Crosses



A7MP TEE

Size Tube O.D.	A	B	PT / SF3/ 32 ra T316L
1	2 ⁵ / ₈	5 ¹ / ₄	A7MP-1-PT-316L
1½	2 ⁷ / ₈	5 ³ / ₄	A7MP-1.5-PT-316L
2	3 ³ / ₈	6 ³ / ₄	A7MP-2-PT-316L
2½	3 ⁵ / ₈	7 ¹ / ₄	A7MP-2.5-PT-316L
3	3 ⁷ / ₈	7 ³ / ₄	A7MP-3-PT-316L
4	4 ³ / ₄	9 ¹ / ₂	A7MP-4-PT-316L

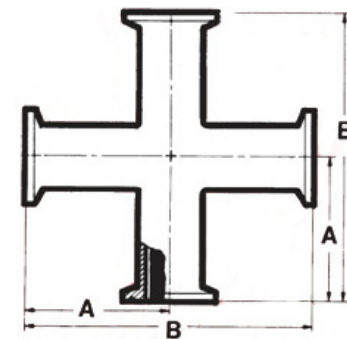
Need it customized? Contact us for a quote. Other angles available on request.



A7RMP REDUCING TEE

Size Tube O.D.	A	B	C	PT / SF3/ 32 ra T316L
2 x 1	3 ¹ / ₈	6 ³ / ₄	3 ³ / ₈	A7RMP-2x1-PT-316L
2 x 1½	3 ¹ / ₈	6 ³ / ₄	3 ³ / ₈	A7RMP-2x1.5-PT-316L
2½ x 2	3 ³ / ₈	7 ¹ / ₄	3 ⁵ / ₈	A7RMP-2.5x2-PT-316L
3 x 2	3 ⁷ / ₈	7 ³ / ₄	3 ⁷ / ₈	A7RMP-3x2-PT-316L
3 x 2½	3 ⁷ / ₈	7 ³ / ₄	3 ⁷ / ₈	A7RMP-3x2.5-PT-316L

Need it customized? Contact us for a quote. Other angles available on request.



A9MP CROSS

Size Tube O.D.	A	B	PT / SF3/ 32 ra T316L
1	2 ⁵ / ₈	5 ¹ / ₄	A9MP-1-PT-316L
1½	2 ⁷ / ₈	5 ³ / ₄	A9MP-1.5-PT-316L
2	3 ³ / ₈	6 ³ / ₄	A9MP-2-PT-316L
2½	3 ⁵ / ₈	7 ¹ / ₄	A9MP-2.5-PT-316L
3	3 ⁷ / ₈	7 ³ / ₄	A9MP-3-PT-316L
4	4 ³ / ₄	9 ¹ / ₂	A9MP-4-PT-316L

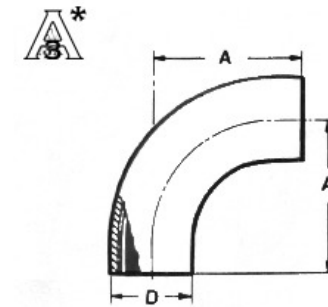
Need it customized? Contact us for a quote. Other angles available on request.

Butt Weld & OD Fittings

Advance Fittings has devoted its energies to producing the highest quality fittings. These butt weld fittings are welded to connect to tubing or other fittings for a permanent and flush connection.



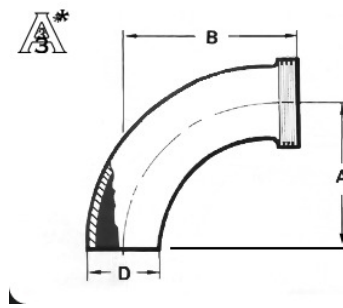
Elbows



A2S 90° ELBOW

Size Tube O.D. / D	A	Nom. Wall	PT / SF3 / 32 ra T316L
1	2 ¹ / ₁₆	.065	A2S-1-PT-316L
1½	2 ¹⁵ / ₁₆	.065	A2S-1.5-PT-316L
2	4 ¹ / ₁₆	.065	A2S-2-PT-316L
2½	5 ³ / ₁₆	.065	A2S-2.5-PT-316L
3	6 ⁵ / ₁₆	.065	A2S-3-PT-316L
4	8 ⁵ / ₁₆	.083	A2S-4-PT-316L

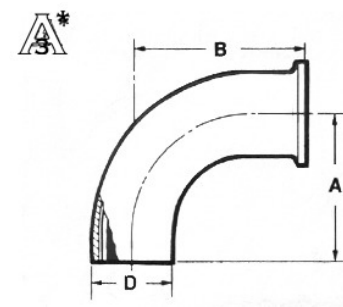
Need it customized? Contact us for a quote. Other angles available on request.



A2C 90° ELBOW

Size Tube O.D./ D	A	B	Nom. Wall	PT / SF3 / 32 ra T316L
1½	2 ¹⁵ / ₁₆	3 ² / ₃₂	.065	A2C-1.5-PT-316L
2	4 ¹ / ₁₆	4 ²⁵ / ₃₂	.065	A2C-2-PT-316L
2½	5 ³ / ₁₆	6 ¹ / ₃₂	.065	A2C-2.5-PT-316L
3	6 ⁵ / ₁₆	7 ⁷ / ₃₂	.065	A2C-3-PT-316L
4	8 ⁵ / ₁₆	9 ¹⁷ / ₃₂	.083	A2C-4-PT-316L

Need it customized? Contact us for a quote. Other angles available on request.

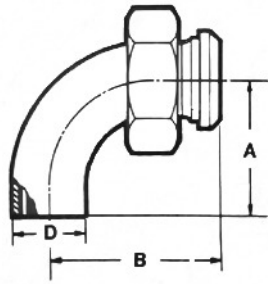


A2CM 90° ELBOW

Size Tube O.D./ D	A	B	Nom. Wall	PT / SF3 / 32 ra T316L
1½	2 ¹⁵ / ₁₆	3 ⁷ / ₁₆	.065	A2CM-1.5-PT-316L
2	4 ¹ / ₁₆	4 ⁹ / ₁₆	.065	A2CM-2-PT-316L
2½	5 ³ / ₁₆	5 ¹³ / ₁₆	.065	A2CM-2.5-PT-316L
3	6 ⁵ / ₁₆	6 ¹³ / ₁₆	.065	A2CM-3-PT-316L
4	8 ⁵ / ₁₆	8 ¹⁵ / ₁₆	.083	A2CM-4-PT-316L

Need it customized? Contact us for a quote. Other angles available on request.

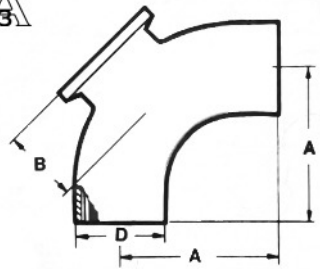
Elbows



A2F 90° ELBOW

Size Tube O.D./ D	A	B	Nom. Wall	PT / SF3 / 32 ra T316L
1½	2 ¹⁵ / ₁₆	3 ²¹ / ₃₂	.065	A2F-1.5-PT-316L
2	4 ¹ / ₁₆	4 ²⁵ / ₃₂	.065	A2F-2-PT-316L
2½	5 ³ / ₁₆	6 ¹ / ₃₂	.065	A2F-2.5-PT-316L
3	6 ⁵ / ₁₆	7 ⁷ / ₃₂	.065	A2F-3-PT-316L
4	8 ⁵ / ₁₆	9 ⁵ / ₁₆	.083	A2F-4-PT-316L

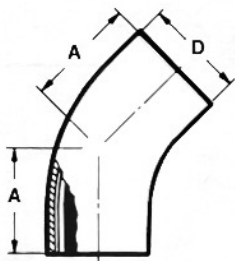
Need it customized? Contact us for a quote. Other angles available on request.



A2CP7 90° INSPECTION ELBOW

Size Tube O.D./ D	A	B	Nom. Wall	PT / SF3 / 32 ra T316L
1½	2 ¹⁵ / ₁₆	1 ³ / ₈	.065	A2CP7-1.5-PT-316L
2	4 ¹ / ₁₆	1 ⁵ / ₈	.065	A2CP7-2-PT-316L
2½	5 ³ / ₁₆	1 ⁷ / ₈	.065	A2CP7-2.5-PT-316L
3	6 ⁵ / ₁₆	2 ¹ / ₈	.065	A2CP7-3-PT-316L
4	8 ⁵ / ₁₆	2 ³ / ₄	.083	A2CP7-4-PT-316L

Need it customized? Contact us for a quote. Other angles available on request.

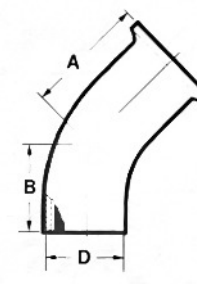


A2KS 45° ELBOW

Size Tube O.D./ D	A	Nom. Wall	PT / SF3 / 32 ra T316L
1	1 ³ / ₁₆	.065	A2KS-1-PT-316L
1½	1 ⁵ / ₈	.065	A2KS-1.5-PT-316L
2	2 ⁵ / ₁₆	.065	A2KS-2-PT-316L
2½	3	.065	A2KS-2.5-PT-316L
3	3 ¹¹ / ₁₆	.065	A2KS-3-PT-316L
4	4 ¹³ / ₁₆	.083	A2KS-4-PT-316L

Need it customized? Contact us for a quote. Other angles available on request.

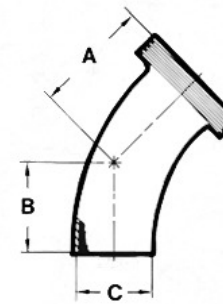
Elbows



A2KM 45° ELBOW

Size Tube O.D. / D	A	B	Nom. Wall	PT / SF3 / 32 ra T316L
1½	2 ¹ / ₈	1 ⁵ / ₈	.065	A2KM-1.5-PT-316L
2	2 ¹³ / ₁₆	2 ⁵ / ₁₆	.065	A2KM-2-PT-316L
2½	3 ¹ / ₂	2 ¹ / ₂	.065	A2KM-2.5-PT-316L
3	4 ³ / ₁₆	3	.065	A2KM-3-PT-316L
4	5 ⁵ / ₁₆	4 ¹³ / ₁₆	.083	A2KM-4-PT-316L

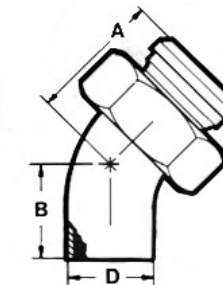
Need it customized? Contact us for a quote. Other angles available on request.



A2K 45° ELBOW

Size Tube O.D. / D	A	B	Nom. Wall	PT / SF3 / 32 ra T316L
1½	2 ¹¹ / ₃₂	1 ⁵ / ₈	.065	A2K-1.5-PT-316L
2	3 ¹ / ₈	2 ⁵ / ₁₆	.065	A2K-2-PT-316L
2½	3 ⁷ / ₈	3	.065	A2K-2.5-PT-316L
3	4 ¹⁹ / ₃₂	3 ¹¹ / ₁₆	.065	A2K-3-PT-316L
4	5 ²⁷ / ₃₂	4 ¹³ / ₁₆	.083	A2K-4-PT-316L

Need it customized? Contact us for a quote. Other angles available on request.

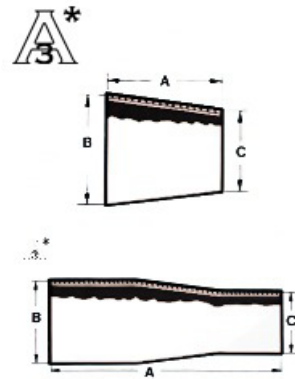


A2P 45° ELBOW

Size Tube O.D. / D	A	B	Nom. Wall	PT / SF3 / 32 ra T316L
1½	2 ¹¹ / ₃₂	1 ⁵ / ₈	.065	A2P-1.5-PT-316L
2	3 ¹ / ₈	2 ⁵ / ₁₆	.065	A2P-2-PT-316L
2½	3 ⁷ / ₈	3	.065	A2P-2.5-PT-316L
3	4 ¹⁹ / ₃₂	3 ¹¹ / ₁₆	.065	A2P-3-PT-316L
4	5 ²⁷ / ₃₂	4 ¹³ / ₁₆	.083	A2P-4-PT-316L

Need it customized? Contact us for a quote. Other angles available on request.

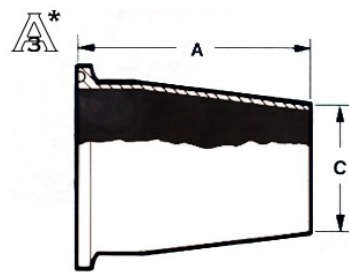
Reducers



A31/A31E CONCENTRIC REDUCERS (with Extension)

Size Tube O.D.	A (A31)	A (A31E)	Nom. Wall	Part Number
1½ X 1	2	5	.065	A31-1.5x1-PT-316L
2 X 1½	2	5½	.065	A31-2x1.5-PT-316L
2½ X 1½	2	5½	.065	A31-2.5x1.5-PT-316L
2½ X 2	2	5½	.065	A31-2.5x2-PT-316L
3 X 2	3	7	.065	A31-3x2-PT-316L
3 X 2½	3	7	.065	A31-3x2.5-PT-316L
4 X 2	3	7	.083	A31-4x2-PT-316L

Need it customized? Contact us for a quote. Other angles available on request.

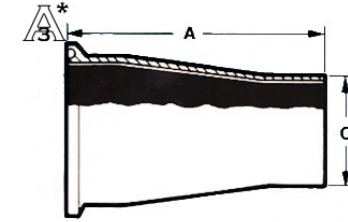


A31M CONCENTRIC REDUCERS

Size Tube O.D.	A	C	Nom. Wall	Part Number
2 X 1½	2½	1½	.065	A31M-2x1.5PT-316L
2½ X 1½	4½	1½	.065	A31M-2.5x1.5-PT-316L
2½ X 2	2½	2	.065	A31M-2.5x2-PT-316L
3 X 2	4½	2	.065	A31M-3x2-PT-316L
3 X 2½	2½	2½	.065	A31M-3x2.5-PT-316L
4 X 2	8⅝	2	.083	A31M-4x2-PT-316L
4 X 2½	6⅝	2½	.083	A31M-4x2.5-PT-316L
4 X 3	4⅝	3	.083	A31M-4x3-PT-316L

Need it customized? Contact us for a quote. Other angles available on request.

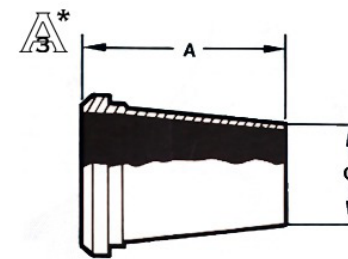
Reducers



A31ME CONCENTRIC REDUCERS (with Extension)

Size Tube O.D.	A	C	Nom. Wall	Part Number
2 X 1½	3⅝	1½	.065	A31ME-2x1.5PT-316L
2½ X 1½	5⅝	1½	.065	A31ME-2.5x1.5-PT-316L
2½ X 2	3⅝	2	.065	A31ME-2.5x2-PT-316L
3 X 2	5⅝	2½	.065	A31ME-3x2-PT-316L
3 X 2½	3⅞	2½	.065	A31ME-3x2.5-PT-316L
4 X 2	9⅞	2	.083	A31ME-4x2-PT-316L
4 X 2½	7⅞	2½	.083	A31ME-4x2.5-PT-316L
4 X 3	5⅞	3	.083	A31ME-4x3-PT-316L

Need it customized? Contact us for a quote. Other angles available on request.

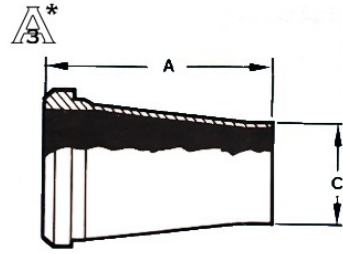


A31P CONCENTRIC REDUCERS

Size Tube O.D.	A	C	Nom. Wall	Part Number
2 X 1½	2⅞	1½	.065	A31P-2x1.5PT-316L
2½ X 1½	2⅞	1½	.065	A31P-2.5x1.5-PT-316L
2½ X 2	2⅞	2	.065	A31P-2.5x2-PT-316L
3 X 2	3⅞	2	.065	A31P-3x2-PT-316L
3 X 2½	3⅞	2½	.065	A31P-3x2.5-PT-316L
4 X 2	4⅞	2	.083	A31P-4x2-PT-316L
4 X 2½	4⅞	2½	.083	A31P-4x2.5-PT-316L
4 X 3	4⅞	3	.083	A31P-4x3-PT-316L

Need it customized? Contact us for a quote. Other angles available on request.

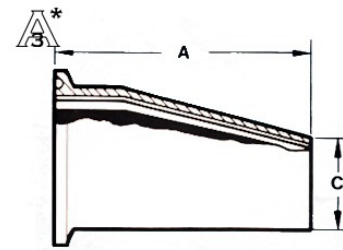
Reducers



A31PE CONCENTRIC REDUCERS (with Extension)

Size Tube O.D.	A (A32)	A (A32E)	Nom. Wall	Part Number
1½ X 1	2	5	.065	A31PE-1.5x1-PT-316L
2 X 1½	2	5½	.065	A31PE-2x1.5-PT-316L
2½ X 1½	4	7½	.065	A31PE-2.5x1.5-PT-316L
2½ X 2	2	6	.065	A31PE-2.5x2-PT-316L
3 X 2	4	8	.065	A31PE-3x2-PT-316L
3 X 2½	2	6	.065	A31PE-3x2.5-PT-316L
4 X 2	8	12½	.083	A31PE-4x2-PT-316L
4 X 2½	6	10½	.083	A31PE-4x2.5-PT-316L
4 X 3	4	8½	.083	A31PE-4x3-PT-316L

Need it customized? Contact us for a quote. Other angles available on request.

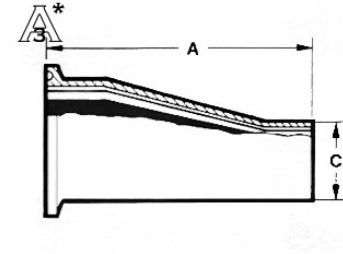


A32M ECCENTRIC REDUCERS

Size Tube O.D.	A	C	Nom. Wall	Part Number
2 X 1½	2½	1½	.065	A32M-2x1.5-PT-316L
2½ X 1½	4½	1½	.065	A32M-2.5x1.5-PT-316L
2½ X 2	2½	2	.065	A32M-2.5x2-PT-316L
3 X 2	4½	2	.065	A32M-3x2-PT-316L
3 X 2½	2½	2½	.065	A32M-3x2.5-PT-316L
4 X 2	8⅝	2	.083	A32M-4x2-PT-316L
4 X 2½	6⅝	2½	.083	A32M-4x2.5-PT-316L
4 X 3	4⅝	3	.083	A32M-4x3-PT-316L

Need it customized? Contact us for a quote. Other angles available on request.

Reducers



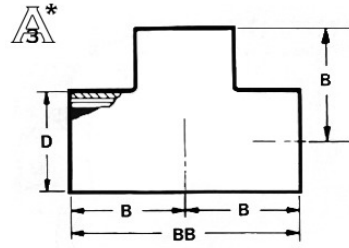
A32ME ECCENTRIC REDUCERS (with Extension)

Size Tube O.D.	A	C	Nom. Wall	Part Number
2 X 1½	3⅝	1½	.065	A32ME-2x1.5PT-316L
2½ X 1½	5⅝	1½	.065	A32ME-2.5x1.5-PT-316L
2½ X 2	3⅝	2	.065	A32ME-2.5x2-PT-316L
3 X 2	5⅝	2	.065	A32ME-3x2-PT-316L
3 X 2½	3⅞	2½	.065	A32ME-3x2.5-PT-316L
4 X 2	9⅞	2	.083	A32ME-4x2-PT-316L
4 X 2½	7⅞	2½	.083	A32ME-4x2.5-PT-316L
4 X 3	5⅞	3	.083	A32ME-4x3-PT-316L

Need it customized? Contact us for a quote. Other angles available on request.



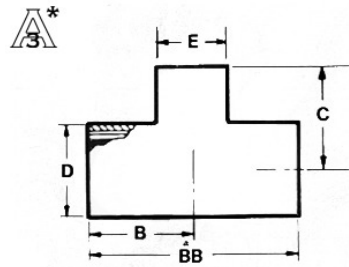
Tees & Crosses



A7WWW TEE

Size Tube O.D. / D	B	BB	Nom. Wall	PT / SF3 / 32 ra T316L
1	1 $\frac{1}{8}$	2 $\frac{1}{4}$.065	A7WWW-1-PT-316L
1 $\frac{1}{2}$	1 $\frac{21}{32}$	3 $\frac{5}{16}$.065	A7WWW-1.5-PT-316L
2	2 $\frac{1}{16}$	4 $\frac{1}{8}$.065	A7WWW-2-PT-316L
2 $\frac{1}{2}$	2 $\frac{11}{32}$	4 $\frac{11}{16}$.065	A7WWW-2.5-PT-316L
3	2 $\frac{19}{32}$	5 $\frac{3}{16}$.065	A7WWW-3-PT-316L
4	3 $\frac{7}{16}$	6 $\frac{7}{8}$.083	A7WWW-4-PT-316L

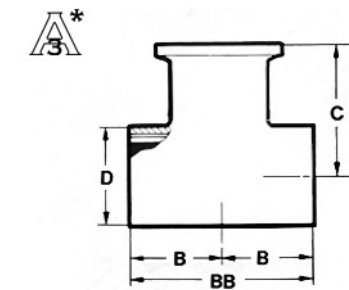
Need it customized? Contact us for a quote. Other angles available on request.



A7RWWW REDUCING TEE

Size Tube O.D. / D x E	B	BB	C	D	Nom. Wall	PT / SF3 / 32 ra T316L
1 $\frac{1}{2}$ X 1	1 $\frac{21}{32}$	3 $\frac{5}{16}$	1 $\frac{3}{8}$	1 $\frac{1}{2}$.065	A7RWWW-1.5 x 1-PT-316L
2 X 1 $\frac{1}{2}$	2 $\frac{1}{16}$	4 $\frac{1}{8}$	1 $\frac{29}{32}$	2	.065	A7RWWW-2x1.5-PT-316L
2 $\frac{1}{2}$ X 2	2 $\frac{11}{32}$	4 $\frac{11}{16}$	2 $\frac{5}{16}$	2 $\frac{1}{2}$.065	A7RWWW-2.5x2-PT-316L
3 X 2	2 $\frac{19}{32}$	5 $\frac{3}{16}$	2 $\frac{9}{16}$	3	.065	A7RWWW-3x2-PT-316L
3 X 2 $\frac{1}{2}$	2 $\frac{19}{32}$	5 $\frac{3}{16}$	2 $\frac{9}{16}$	3	.065	A7RWWW-3x2.5-PT-316L

Need it customized? Contact us for a quote. Other angles available on request.

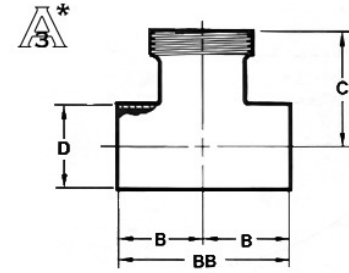


A7WWM TEE

Size Tube O.D. / D	B	BB	C	Nom. Wall	PT / SF3 / 32 ra T316L
1 $\frac{1}{2}$	1 $\frac{21}{32}$	3 $\frac{5}{16}$	2 $\frac{5}{32}$.065	A7WWM-1.5-PT-316L
2	2 $\frac{1}{16}$	4 $\frac{1}{8}$	2 $\frac{9}{16}$.065	A7WWM-2-PT-316L
2 $\frac{1}{2}$	2 $\frac{11}{32}$	4 $\frac{11}{16}$	2 $\frac{27}{32}$.065	A7WWM-2.5-PT-316L
3	2 $\frac{19}{32}$	5 $\frac{3}{16}$	3 $\frac{3}{32}$.065	A7WWM-3-PT-316L
4	3 $\frac{7}{16}$	6 $\frac{7}{8}$	4 $\frac{1}{16}$.083	A7WWM-4-PT-316L

Need it customized? Contact us for a quote. Other angles available on request.

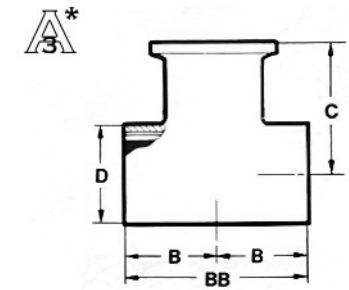
Tees & Crosses



A7WWT TEE

Size Tube O.D. / D	B	BB	C	Nom. Wall	PT / SF3 / 32 ra T316L
1 $\frac{1}{2}$	1 $\frac{21}{32}$	3 $\frac{5}{16}$	2 $\frac{3}{8}$.065	A7WWT-1.5-PT-316L
2	2 $\frac{1}{16}$	4 $\frac{1}{8}$	2 $\frac{25}{32}$.065	A7WWT-2-PT-316L
2 $\frac{1}{2}$	2 $\frac{11}{32}$	4 $\frac{11}{16}$	2 $\frac{25}{32}$.065	A7WWT-2.5-PT-316L
3	2 $\frac{19}{32}$	5 $\frac{3}{16}$	3 $\frac{1}{2}$.065	A7WWT-3-PT-316L
4	3 $\frac{7}{16}$	6 $\frac{7}{8}$	4 $\frac{21}{32}$.065	A7WWT-4-PT-316L

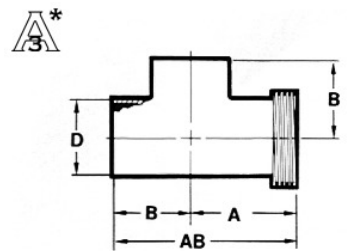
Need it customized? Contact us for a quote. Other angles available on request.



A7WWM TEE

Size Tube O.D. / D	C	B	BB	Nom. Wall	PT / SF3 / 32 ra T316L
1 $\frac{1}{2}$	2 $\frac{5}{32}$	1 $\frac{21}{32}$	3 $\frac{5}{16}$.065	A7WWM-1.5-PT-316L
2	2 $\frac{9}{16}$	2 $\frac{1}{16}$	4 $\frac{1}{8}$.065	A7WWM-2-PT-316L
2 $\frac{1}{2}$	2 $\frac{27}{32}$	2 $\frac{11}{32}$	4 $\frac{11}{16}$.065	A7WWM-2.5-PT-316L
3	3 $\frac{3}{32}$	2 $\frac{19}{32}$	5 $\frac{3}{16}$.065	A7WWM-3-PT-316L
4	4 $\frac{1}{16}$	3 $\frac{7}{16}$	6 $\frac{7}{8}$.083	A7WWM-4-PT-316L

Need it customized? Contact us for a quote. Other angles available on request.

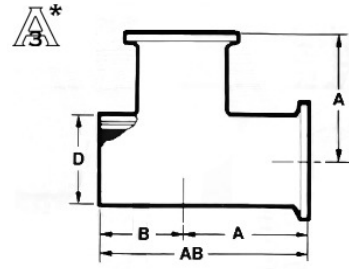


A7WTW TEE

Size Tube O.D. / D	A	B	AB	Nom. Wall	PT / SF3 / 32 ra T316L
1 $\frac{1}{2}$	2 $\frac{3}{8}$	1 $\frac{21}{32}$	4 $\frac{1}{32}$.065	A7WTW-1.5-PT-316L
2	2 $\frac{25}{32}$	2 $\frac{1}{16}$	4 $\frac{27}{32}$.065	A7WTW-2-PT-316L
2 $\frac{1}{2}$	3 $\frac{1}{16}$	2 $\frac{11}{32}$	5 $\frac{17}{32}$.065	A7WTW-2.5-PT-316L
3	3 $\frac{1}{2}$	2 $\frac{19}{32}$	6 $\frac{3}{32}$.065	A7WTW-3-PT-316L
4	4 $\frac{21}{32}$	3 $\frac{7}{16}$	8 $\frac{3}{32}$.083	A7WTW-4-PT-316L

Need it customized? Contact us for a quote. Other angles available on request.

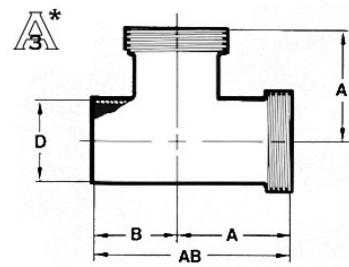
Tees & Crosses



A7WMM TEE

Size Tube O.D./ D	A	B	AB	Nom. Wall	PT / SF3 / 32 ra T316L
1½	2 ⁵ / ₃₂	1 ²¹ / ₃₂	3 ¹³ / ₁₆	.065	A7WMM-1.5-PT-316L
2	2 ⁹ / ₁₆	2 ¹ / ₁₆	4 ⁵ / ₈	.065	A7WMM-2-PT-316L
2½	2 ²⁷ / ₃₂	2 ¹¹ / ₃₂	5 ¹¹ / ₁₆	.065	A7WMM-2.5-PT-316L
3	3 ³ / ₃₂	2 ¹⁹ / ₃₂	5 ¹¹ / ₁₆	.065	A7WMM-3-PT-316L
4	4 ¹ / ₁₆	3 ⁷ / ₁₆	7 ¹ / ₂	.083	A7WMM-4-PT-316L

Need it customized? Contact us for a quote. Other angles available on request.

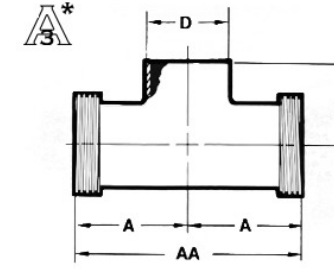


A7WTT TEE

Size Tube O.D./ D	A	B	AB	Nom. Wall	PT / SF3 / 32 ra T316L
1½	2 ³ / ₈	1 ²¹ / ₃₂	4 ¹ / ₃₂	.065	A7WTT-1.5-PT-316L
2	2 ²⁵ / ₃₂	2 ¹ / ₁₆	4 ²⁷ / ₃₂	.065	A7WTT-2-PT-316L
2½	3 ³ / ₁₆	2 ¹¹ / ₃₂	5 ¹⁷ / ₃₂	.065	A7WTT-2.5-PT-316L
3	3 ¹ / ₂	2 ¹⁹ / ₃₂	6 ³ / ₃₂	.065	A7WTT-3-PT-316L
4	4 ²¹ / ₃₂	3 ⁷ / ₁₆	8 ³ / ₃₂	.083	A7WTT-4-PT-316L

Need it customized? Contact us for a quote. Other angles available on request.

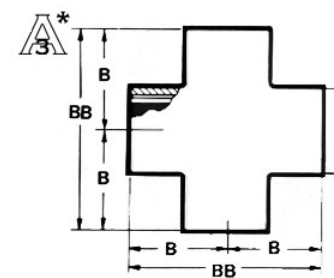
Tees & Crosses



A7TTW TEE

Size Tube O.D./ D	A	AA	B	Nom. Wall	PT / SF3 / 32 ra T316L
1½	2 ³ / ₈	4 ³ / ₄	1 ²¹ / ₃₂	.065	A7TTW-1.5-PT-316L
2	2 ²⁵ / ₃₂	5 ⁹ / ₁₆	2 ¹ / ₁₆	.065	A7TTW-2-PT-316L
2½	3 ³ / ₁₆	6 ³ / ₈	2 ¹¹ / ₃₂	.065	A7TTW-2.5-PT-316L
3	3 ¹ / ₂	7	2 ¹⁹ / ₃₂	.065	A7TTW-3-PT-316L
4	4 ²¹ / ₃₂	9 ⁵ / ₁₆	3 ⁷ / ₁₆	.083	A7TTW-4-PT-316L

Need it customized? Contact us for a quote. Other angles available on request.



A9WWWW CROSS

Size Tube O.D./ D	B	BB	Nom. Wall	PT / SF3 / 32 ra T316L
1	1 ¹ / ₈	2 ¹ / ₄	.065	A9WWWW-1-PT-316L
1½	1 ²¹ / ₃₂	3 ⁵ / ₁₆	.065	A9WWWW-1.5-PT-316L
2	2 ¹ / ₁₆	4 ¹ / ₈	.065	A9WWWW-2-PT-316L
2½	2 ¹¹ / ₃₂	4 ¹¹ / ₁₆	.065	A9WWWW-2.5-PT-316L
3	2 ¹⁹ / ₃₂	5 ³ / ₁₆	.065	A9WWWW-3-PT-316L
4	3 ⁷ / ₁₆	6 ⁷ / ₈	.083	A9WWWW-4-PT-316L

Need it customized? Contact us for a quote. Other angles available on request.

Custom Fabrication

Here at Advance Fittings our specialty is customization! We have been manufacturing custom fabricated components since we opened our doors in 1985. Send us your sketch and we will get started on creating that custom part for you today. Our experienced, knowledgeable, and on-site Engineering department is continuously seeking new and innovative ways to create custom parts. If the part you need is not available, let the experts at Advance Fittings create it for you.

Our Engineering department will review your request/sketch, and provide you with a detailed CAD drawing, displaying the components and requirements involved in creating your custom part. They will also make suggestions to improve performance and reduce costs whenever possible.

We provide custom fabrications in sizes ranging from 1/8" to 12" to meet specific requirements for the sanitary, biopharmaceutical, personal care, and semiconductor industries. The quality products we produce display our employee's dedication to the industries and customers we serve. It is this dedication, experience, and knowledge of Advance Fittings' staff that clearly identifies Advance Fittings as an industry leader.

Contact us today to discuss your customization needs!

Visit advancefittings.com or Call 262-723-6699



Terms & Conditions

GENERAL

Seller reserves the right at all times to reject any and all orders for any reason.

Orders for custom products may not be cancelled after purchase has been committed, production scheduled, or any other costs incurred.

PRICE

All prices Ex Works seller's facility. All prices are exclusive of any and all taxes, included, but not limited to, excise sales and use. Unless otherwise specified, all prices are exclusive of transportation, freight, insurance and other costs and expenses, relating to the shipment of the Products from the Ex Works point to Purchaser's facility. Any prepayment by Seller of freight, insurance or other costs shall be for the account of Purchaser and shall be repaid to Seller.

PAYMENT TERMS

Payment terms are customer dependent. Speak to your customer service representative if you have any questions.

FREIGHT TERMS

All shipments will be made Ex Works sellers facility as designated in these terms and conditions, and title shall pass at the Ex-Work's point. Delivery to the initial common carrier shall constitute delivery to the purchaser. Any claims for loss or damage during shipment are to be filed with carrier by the Purchaser. Seller will not assume responsibility for the performance of the carrier.

ACCEPTANCE OF PRODUCT

Claims for parts damaged during shipment or for parts sent in error must be made within (30) days of receipt of shipment. No unauthorized returns will be accepted. Buyer's acceptance of delivery of product from carrier shall constitute a waiver of any claim for delay.

RETURN OF DEFECTIVE PRODUCTS.

Defective or failed material shall be held at the Purchaser's premise until authorization has been granted by Seller to return or dispose of Products. Products that are to be returned for final inspection must be returned Freight Prepaid by seller (Advance Fittings) in the most economical way. Credit will be issued for material found to be defective upon Seller's inspection based on prices at time of purchase

PRODUCTS ORDERED IN ERROR

Standard products only may be returned, provided that claim is made, and Seller is notified within (30) days of receipt of Products subject to Seller's approval. If Products are accepted for return, they must be freight paid by buyer, and buyer will be charged a minimum of 25% re-handling charge. Returns are not accepted for any Products that are specially manufactured to meet the buyer's requirements. (Custom product)

WARRANTY

All items manufactured by Advance Fittings. are warranted to be free from manufacturing defects in materials and workmanship for one year from date of shipment. The warranty is valid only if the product has been installed per current ASME BPE Standards, when applicable, or recognized piping practice procedures and has not been subjected to service beyond the capabilities of the item.

Maximum liability for claims, losses, or damages shall be, at the option of Advanced Fittings, either the repair or replacement of the defective items without charge. In no event shall Advance Fittings Corp. be liable for consequential, indirect, incidental, or contingent damages.

Advance Fittings. makes no other warranties, expressed or implied, of merchantability or fitness.

FORCE MAJEURE

We shall not be liable for any delay in performance or nonperformance which is due to severe weather, floods, fire, war, acts of third parties, acts of governmental authority or agency or commission thereof, accident, breakdown of equipment, differences with employees or similar or dissimilar causes beyond our control, including but not limited to those interfering with production, supply, transportation of products, raw materials or components, or our ability to obtain, on terms we deem reasonable, material, labor equipment or transportation.

NON-STOCK ORDERS

Please note 5% Overrun Policy on all Non-Stock Orders (custom product) may apply. Parts that require custom packaging may be subject to a crate charge. Delivery based on receipt of customer approved drawing for specials.

ADVANCE FITTINGS

A USA Manufacturing Company
"Continuously Raising the Bar on Quality"

